



# Welch Allyn Light Bracket [9A302]

**Contents:**  
 Installation ..... 1  
 Exploded View ..... 2

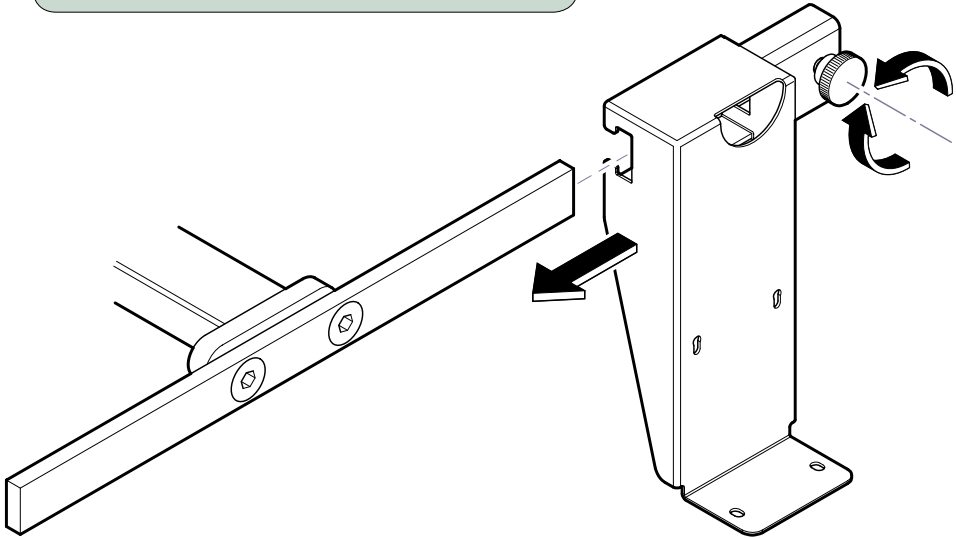
**Special Tools:**  
 none

**Intended Use:**  
 To mount a Welch Allyn 48700 Light to table.

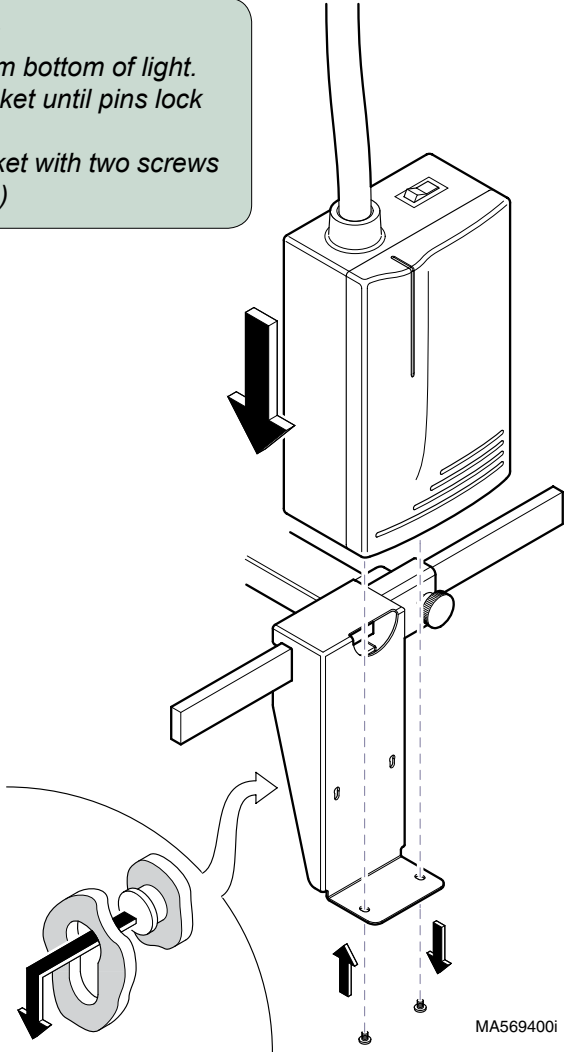
**Restrictions:**  
 Requires Base Rail or Accessory Rail (see accy. # below):  
**9A184** [Models 311, 319, & 75 (-015)]  
**9A205** [Models 630 (-001 thru -009), 411 (-016 thru -018)]  
           [Models 75 (-016 / -017 / -020 / -021)]  
**9A272** [Model 419 (-003 thru -006)]  
**9A557** [Model 630 (-010 thru -013), 630 (-020 thru -023)]

**Step 1: Install Hanger Assembly**  
 A) Loosen knob.  
 B) Slide hanger assembly onto base rail.  
 C) Tighten knob.

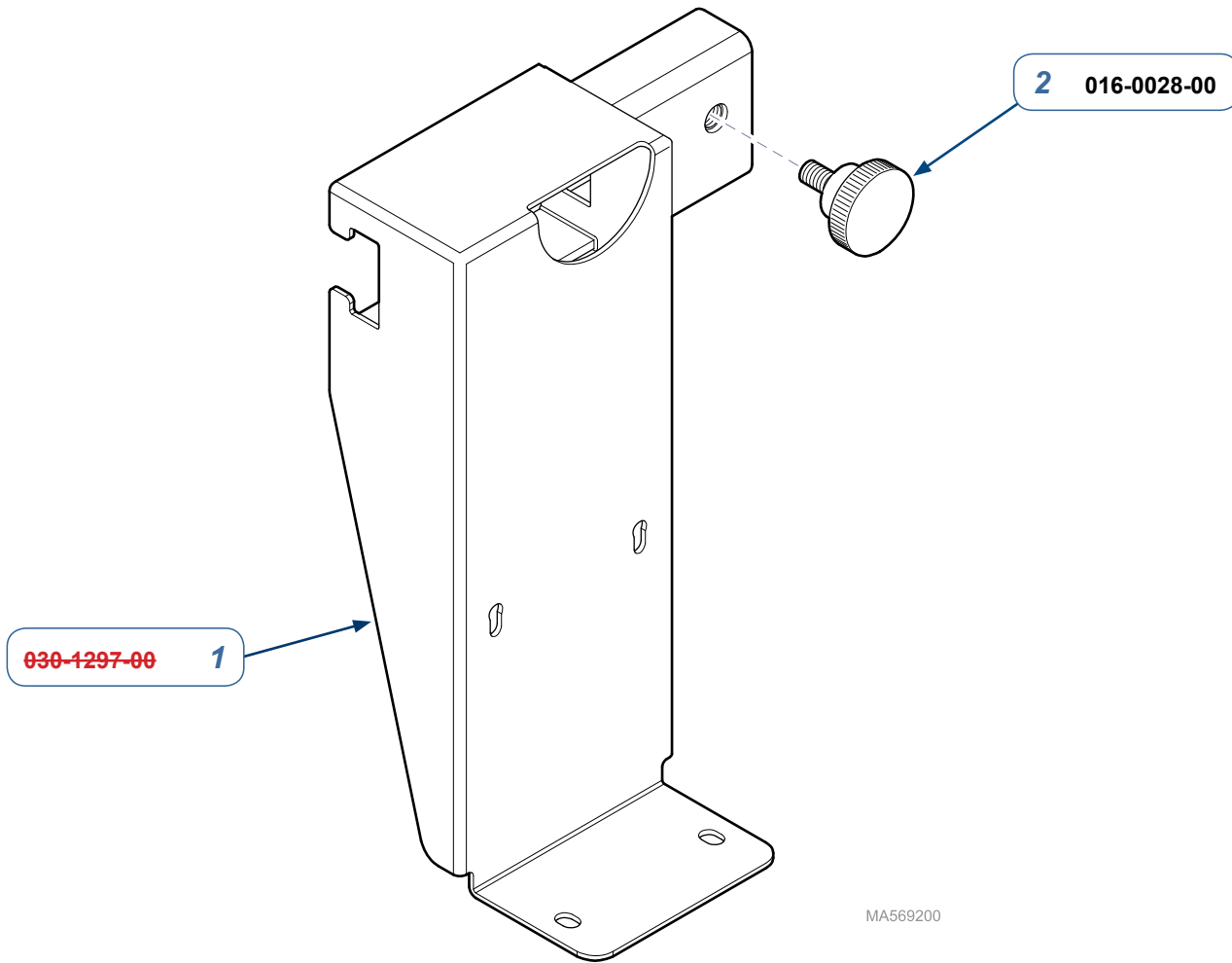
**Step 2: Install Light**  
 A) Remove screws from bottom of light.  
 B) Slide light onto bracket until pins lock into slots in bracket.  
 C) Secure light to bracket with two screws (removed in Step A.)



MA569300i



MA569400i



<b>9A302001 Welch Allyn Bracket</b> (includes items 1 and 2)		
Item	Description	Qty.
1	• Welch Allyn Light Bracket Weldment	1
2	• Knob	1

Serial Numbers / Dates:	all