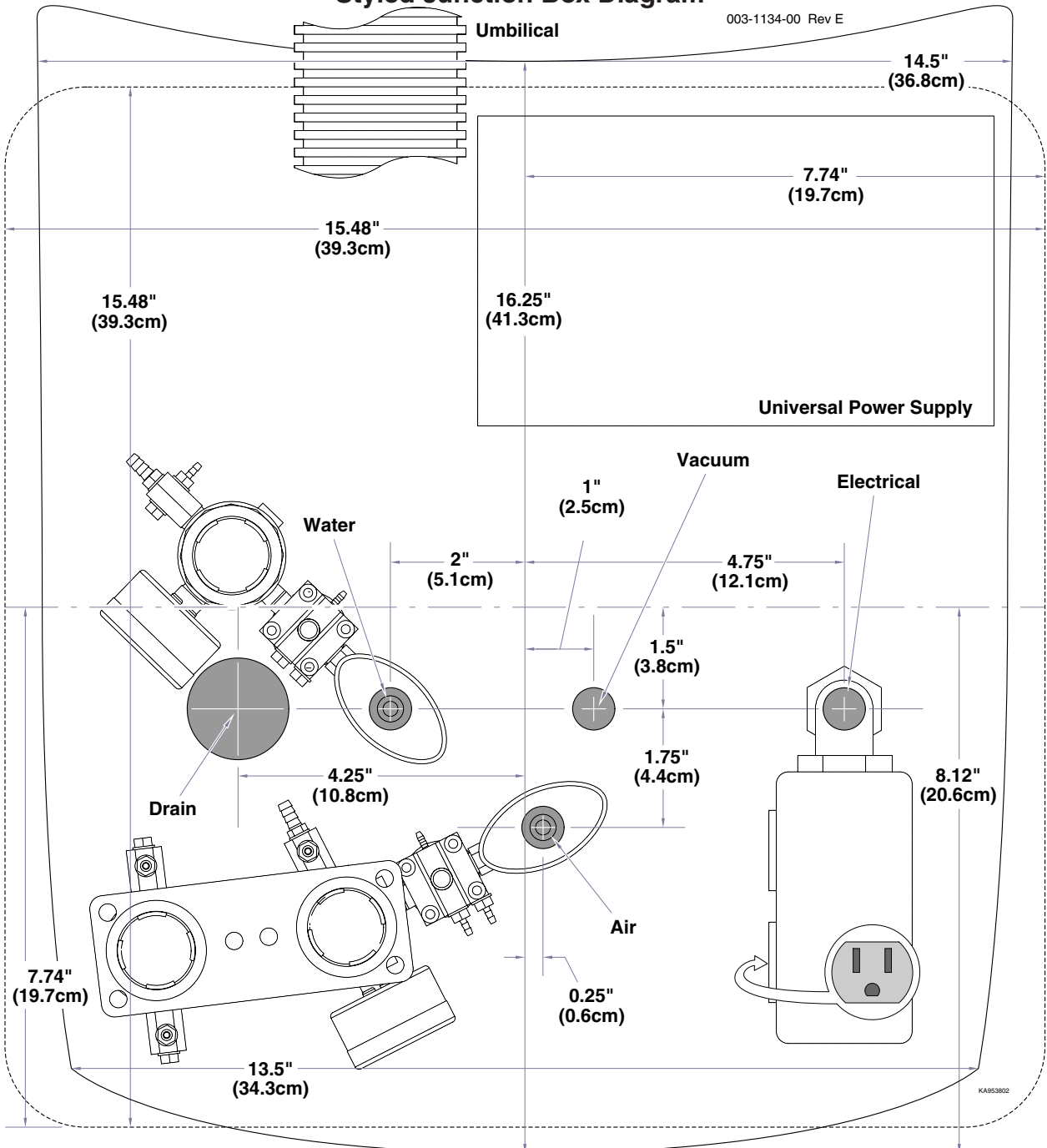


Note

If the Elevance Power Supply has not been installed, do so at this time. If air pressure to the junction box is not available, you must perform the procedure to “Bypass The Air Pressure Switch”. Refer to the Elevance Power Supply Installation Guide (003-1134-00) for this procedure.

Styled Junction Box Diagram

003-1134-00 Rev E



Note

Install Midmark LR Chair Mount Bracket according to the Installation Instructions (003-1306-00) that are packaged with the bracket.

Step 1: Position J-box frame over utility connections.

Step 2: Connect air regulator to air source. Connect water regulator to water source. Tighten compression nuts.

Step 3: Remove umbilical clamp. Position umbilical as shown. Replace umbilical clamp.

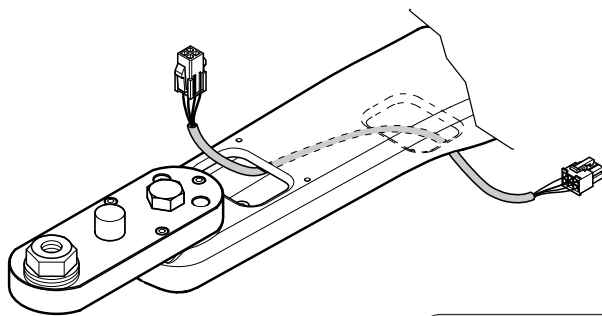
Optional Step 4: Screw J-box frame to floor.

Step 5: Feed wire harness thru LR Chair Mount Bracket.

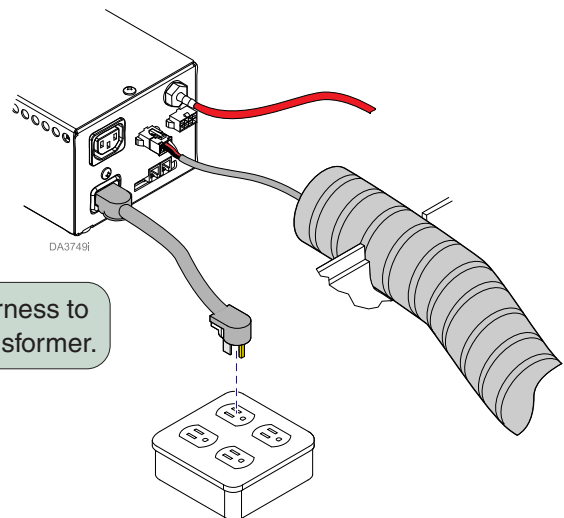
Note

It may be easier to feed the wire harness thru the umbilical and then thru the mount bracket.

Step 7: Set lid on J-box frame.

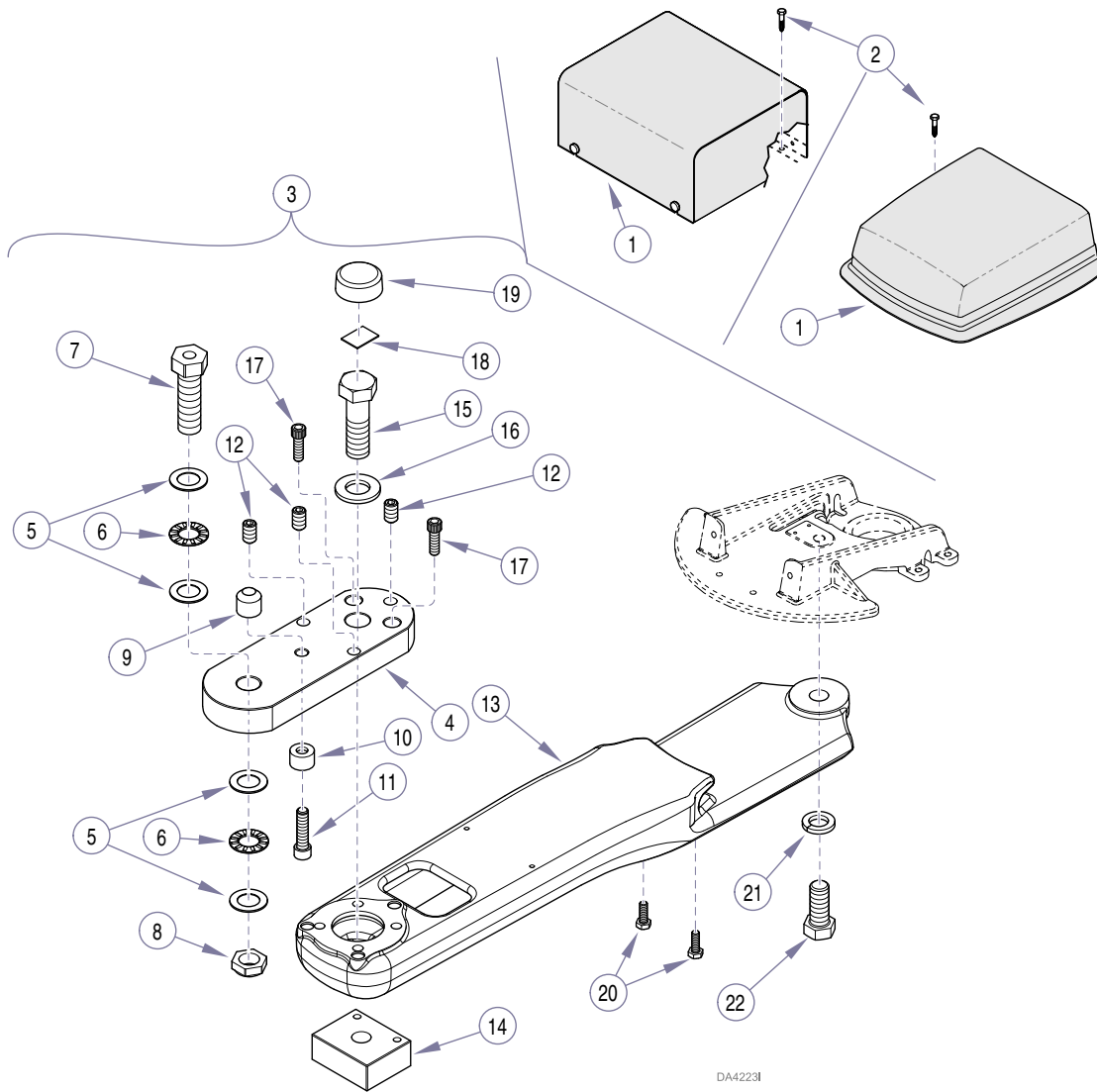


Step 6: Connect Light Harness to connector on Transformer.



LR Light Adapter Kit (153650)

ACCESSORY PARTS LIST



DA4223I

Item	Part No.	Description	Qty	Item	Part No.	Description	Qty
	153650	LR Light Adapter Kit (includes install guide 003-1216-00 & items 1 thru 23).....	Ref	8	•• 122553	•• Stop Nut	1
1	• 029-2695-00 • 153605-002	• Small (Square) Junction Box • Styled Junction Box (Refer to "ProCenter / Whip Delivery Systems Service and Parts Manual").....	Ref	9	•• 122550	•• Light Arm Stop Bumper.....	1
2	• 106009	• Screw	4	10	•• 122549	•• Unit Arm Stop Bumper	1
3	• 029-2696-00	LR Chair Mount Assembly (includes install sheet 003-1306-00 & items 4 thru 22).....	1	11	•• 107995	•• Screw	1
4	•• 050-5100-50	• L/R Extension Plate	1	12	•• 122547	•• Set Screw	3
5	•• 119034	• Thrust Race	2	13	•• 020-0202-51	•• Console L/R Mount	1
6	•• 119033	• Thrust Bearing.....	1	14	•• 050-4920-50	•• L/R Nut Plate.....	1
7	•• 042-0206-00	• Screw.....	1	15	•• 040-0750-02	•• Screw	1
				16	•• 122554	•• Flat Washer.....	1
				17	•• 040-0312-41	•• Screw (apply adhesive 042-0024-00)2	
				18	•• 275184	•• 3/4" Double Sided Tape.....	AR
				19	•• 122596-01	•• Unit Bolt Cover.....	1
				20	•• 122068	•• Screw (apply adhesive 042-0024-00)2	
				21	•• 045-0001-91	•• Lockwasher	1
				22	•• 040-0625-04	•• Screw	1
				23	• 015-2329-00	• J-Box Light Harness (not shown).....	1

Always Specify Model & Serial Number