

Installation Instructions

002-0690-00 L/R Upgrade Kit
002-0731-00 L/R Bearing & Spacer Kit

KIT COMPONENTS

Part Number	Description	Qty
002-0690-00	L/R Upgrade Kit	
• 029-2696-01	L/R Light Mount Adapter.....	1
• 040-0500-29	1/2"-13 x 2-1/4" Hex Head ..	1
• 016-0300-02	Washer, Thrust.....	1
• 002-1555-00	Bearing Kit	2
• 057-0971-xx-xxx	Bearing Cap.....	1
• 050-5259-xx	Spacer	1

GENERAL INFORMATION

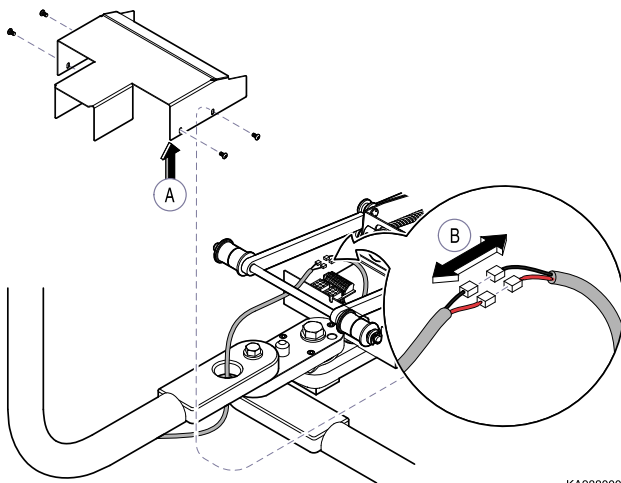
L/R Upgrade Kit provides an additional thrust bearing on the L/R Light Mount Adapter. Used in applications that contain a Light plus ProCenter®, Whip or other accessory mounted in an L/R configuration. The additional bearing facilitates a smooth movement of the arms during repositioning.



WARNING

Assure all electric, air and water supply is turned off or disconnected before working on the equipment. Failure to comply could result in serious personal injury.

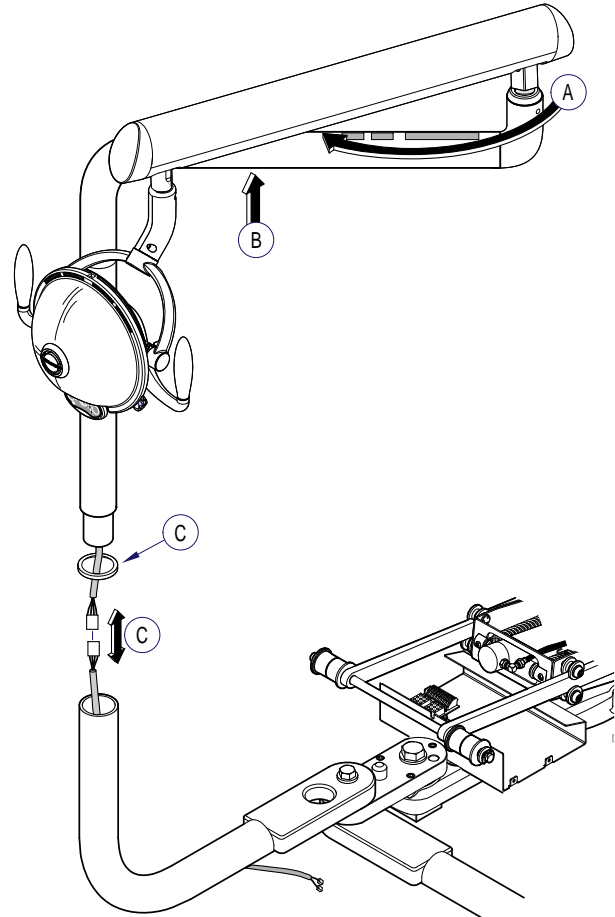
REMOVAL (LIGHT ARM)



- After lifting seat section of chair, remove connection box cover.
- Disconnect wires.

KA988000i

REMOVAL (LIGHT ARM)



EQUIPMENT ALERT



Use an assistant to secure light arm at pivot points when performing the following steps. Failure to do so could result in equipment damage.

Failure to do so could result in equipment damage.

- Swing flex arm shaft toward curved arm assembly and secure the arms.

NOTE

When separating the light arm assemblies from the lower arm assembly use care as not to damage wire harnesses.

- Using an assistant, lift up on the arm assemblies to separate them far enough to disconnect wire harness.
- Disconnect wire harnesses and carefully set light-head and arm assemblies to the side. Do not lose the nylon washers located between the arm assemblies.

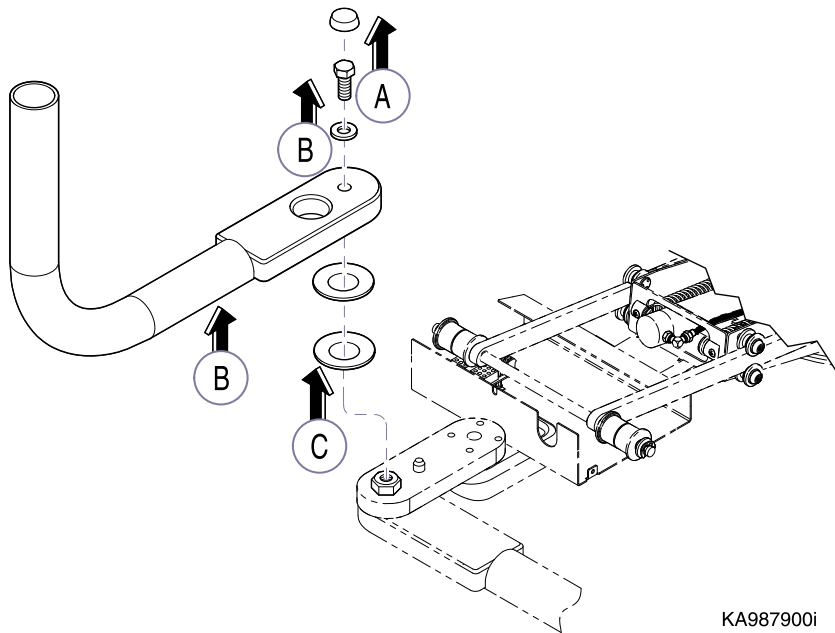
REMOVAL (LIGHT ARM)



EQUIPMENT ALERT

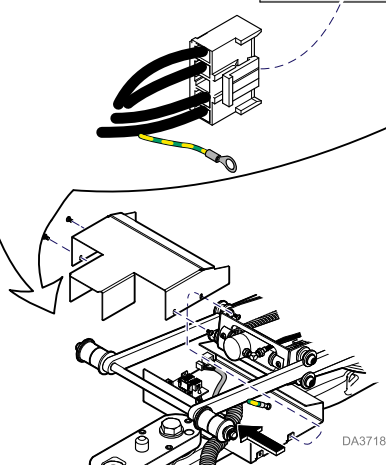
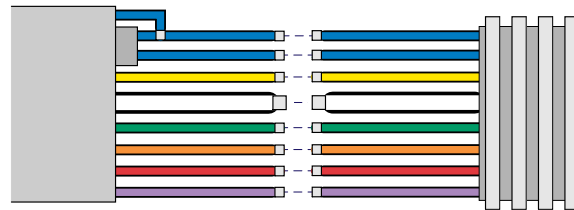
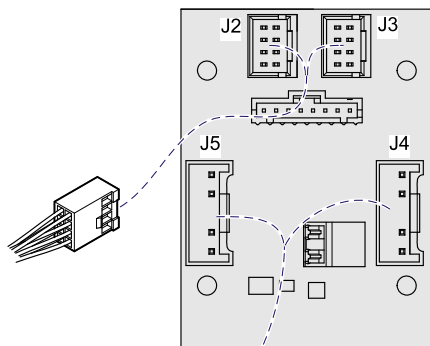
Support lower light arm assembly during disassembly to prevent damage to equipment.

- A. Remove bolt cover.
- B. Supporting lower light arm, remove bolt, washer and lower light arm.
- C. Remove delrin (white) and steel washer.



KA987900i

REMOVAL (PROCENTER / WHIP ARM)



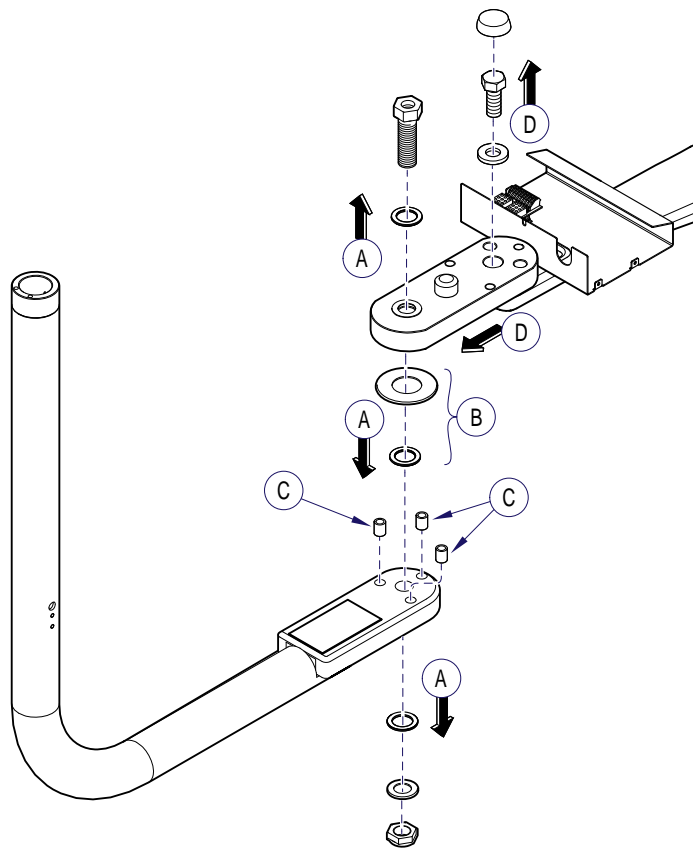
- A. Disconnect tubing from Delivery unit to chair in connection box.
- B. Disconnect delivery system accessory wire harness from J2 and J4 on PC board.
- C. Remove conduit, that encloses tubing and wiring from notch located on connection box.

REMOVAL (PROCENTER / WHIP ARM)

- A. Supporting lower delivery arm, remove bolt, needle thrust bearing assembly, washers, and nut then remove lower delivery arm.
- B. Save the large (2 1/2") metal washer, needle thrust bearing assembly, and two smaller washers for later install. The bolt can be discarded.
- C. Inspect the three friction bearings for excessive wear and replace if necessary.
- D. Remove the cap, bolt, lockwasher, and L/R mount adapter.

NOTE

Save the mounting bolt, lockwasher and cap from the L/R adapter after removal.



DA4295i

INSTALLATION (PROCENTER / WHIP ARM)

- A. Place the L/R adapter in position and secure with the mounting bolt and lockwasher. (Torque to 110 to 130 ft.-lbs [149 to 176 N•M]). Install the cap on the bolt head.
- B. Position components as shown on the lower delivery arm.

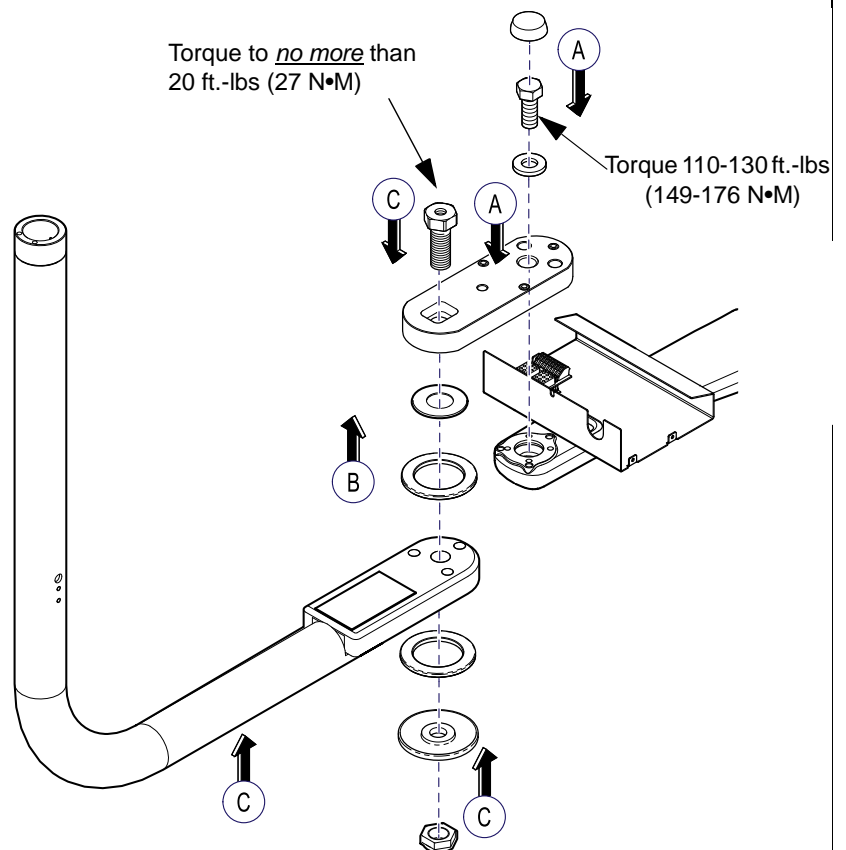
NOTE

The head of the mounting bolt will be countersunk when installed in the L/R adapter.

- C. While supporting the lower delivery arm, install components as shown including nut and bolt.

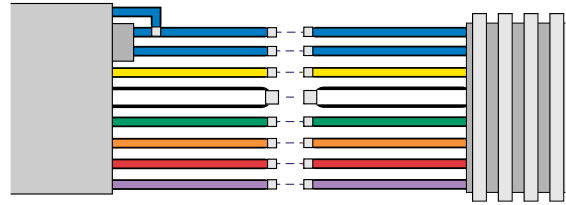
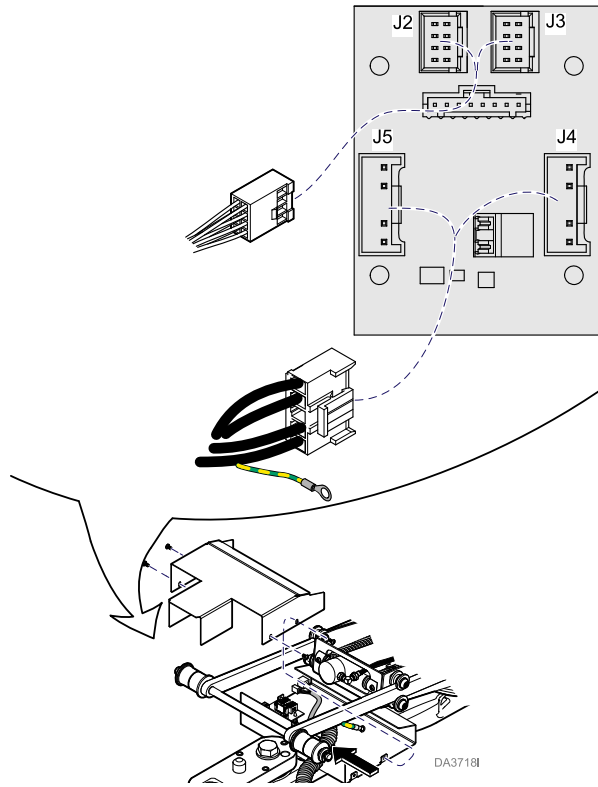
NOTE

Torque the bolt to no more than 20 ft.-lbs (27 N•M)



DA4296i

INSTALLATION (PROCENTER / WHIP ARM)



EQUIPMENT ALERT

Assure tubing is correctly matched by color when reconnecting.



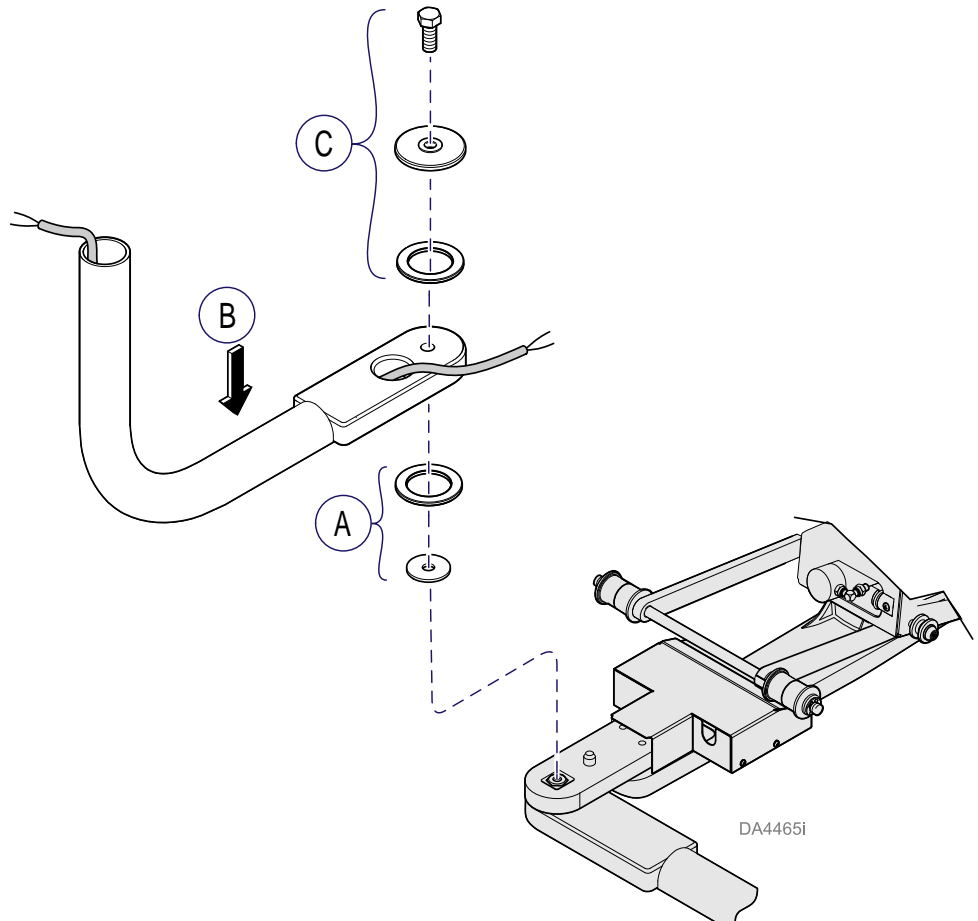
- Connect tubing from Delivery unit to chair in connection box.
- Connect delivery system accessory wire harness to J2 and J4 on PC board.
- Insert conduit, that encloses tubing and wiring, into notch located on connection box.

INSTALLATION (LIGHT ARM)

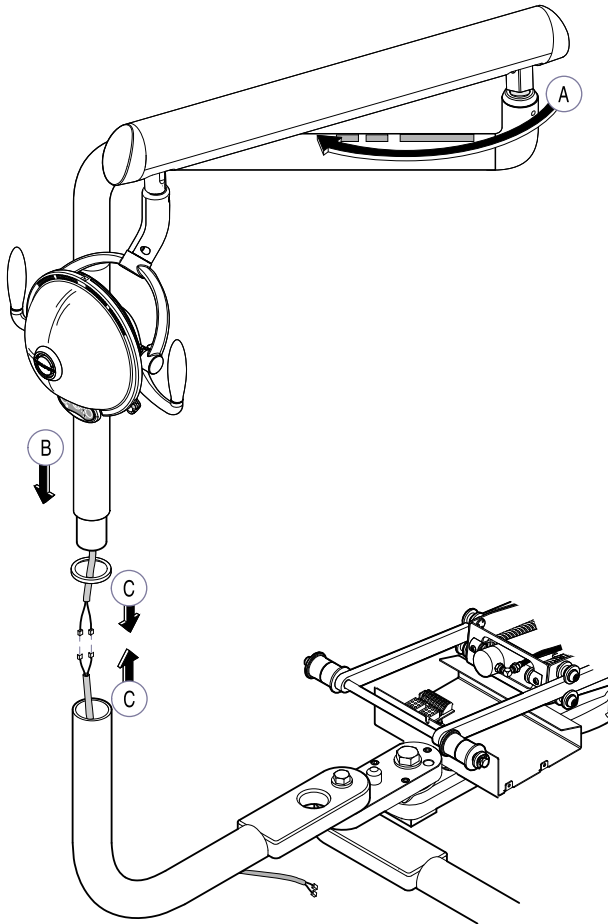
- Place the small spacer and bearing in position on the L/R mount adapter
- Place lower light arm assembly in position on L/R mount adapter.
- Install bearing, cap and bolt.

NOTE

Torque bolt to no more than 20 ft.-lbs (27 N•M).




INSTALLATION (LIGHT ARM)



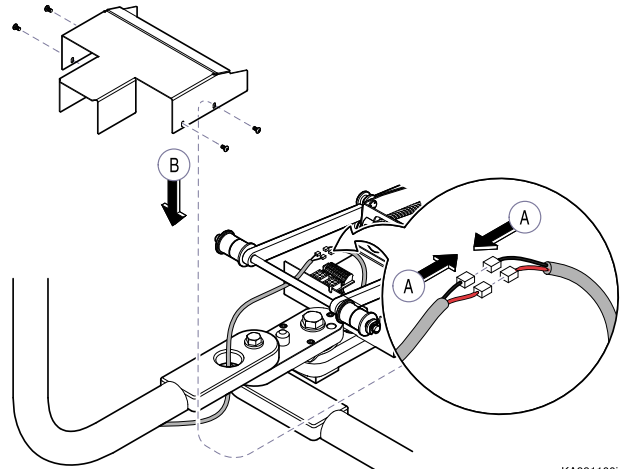
KA991000i

EQUIPMENT ALERT

 Use an assistant to support the lightarm when performing the following steps. Failure to do so could result in equipment damage.

- A. Swing flex arm shaft toward curved arm assembly and secure the arms.
- B. Place the large nylon washer in position.
- C. Connect wire harnesses and carefully slide the light arm assembly into the lower arm assembly.

INSTALLATION (LIGHT ARM)



KA991100i

- A. Connect wires.
- B. Install connection box cover then lower the seat section and check operation.

MIDMARK[®]

Midmark Corporation, Versailles, Ohio 45380 U.S.A.
(937) 526-3662 FAX (937) 526-5542

003-1227-00 Rev. J (4/14/15)