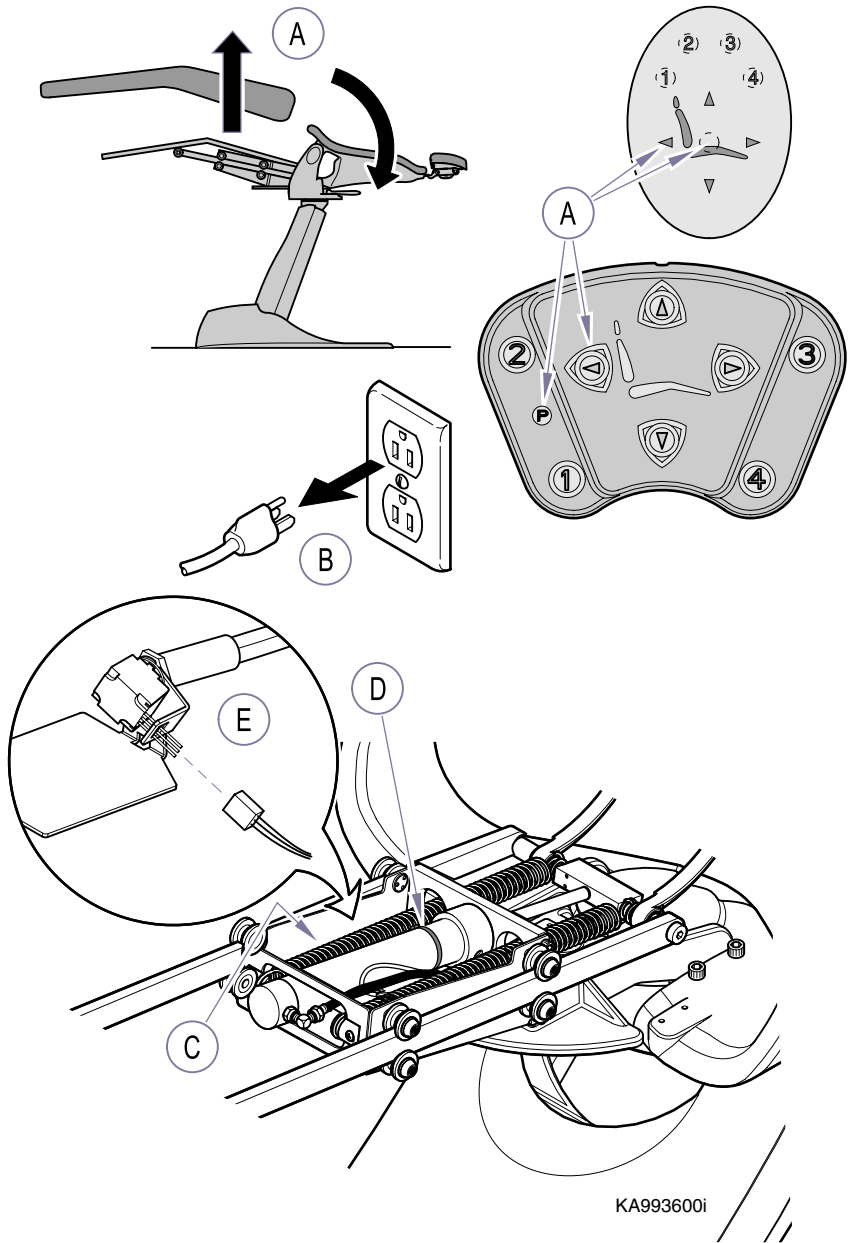



Back Potentiometer Installation (002-0692-00)

Components:

- Potentiometer Assembly.....1
- Gear Rack Assembly.....1
- Cable Tie1
- Wiring Diagram (115 VAC) ...1
- Wiring Diagram (230 VAC) ...1
- Installation Instructions.....1

Special Tools:
none

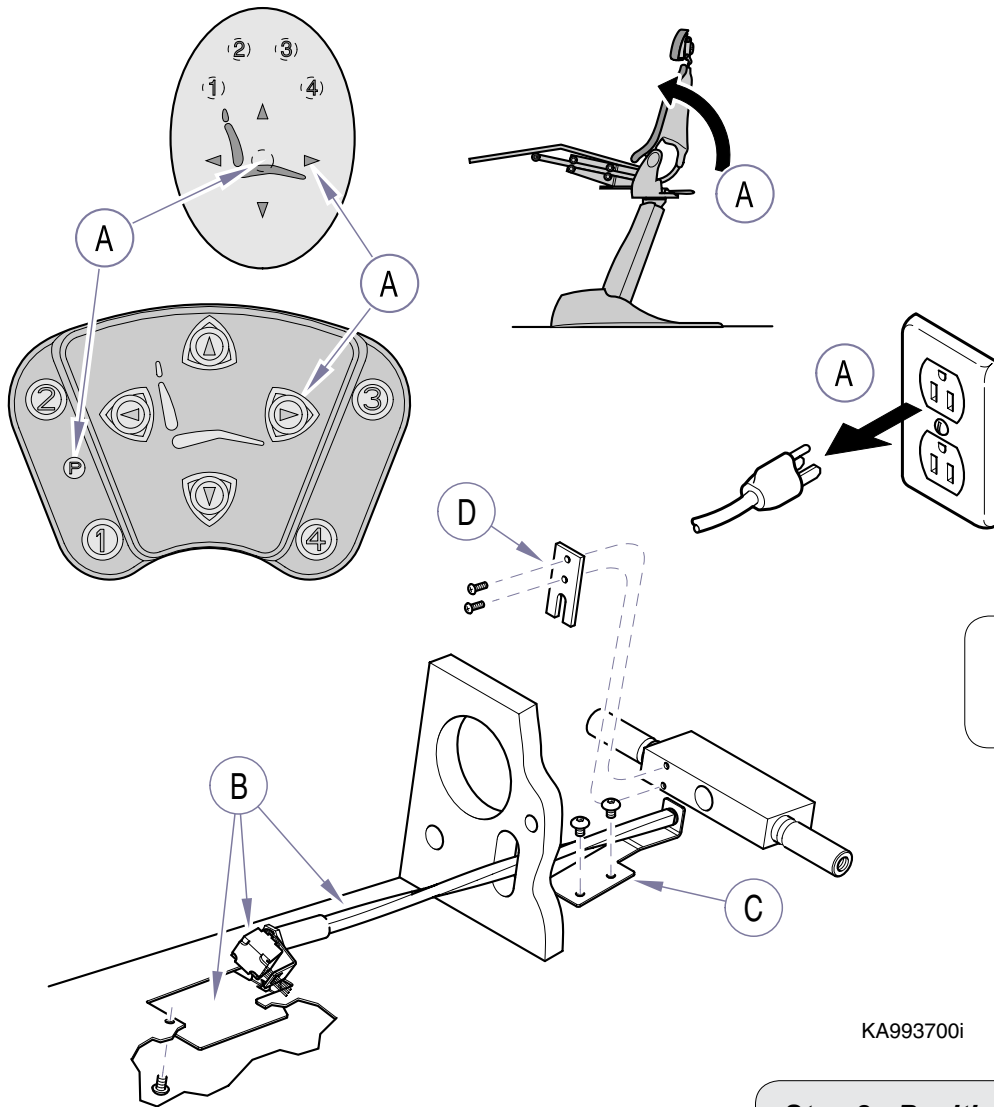


Caution

 After lowering back section unplug chair before continuing work. Failure to comply could result in personal injury or equipment damage.

Step 1: Position chair and disconnect right side lift spring.

- A) Remove seat cushion. Press and hold Program Button and Back Down Button. Lower back section down to its mechanical stop.
- B) Unplug chair from outlet.
- C) Disconnect right hand (patient's) lift spring.
- D) Cut wire tie that secures hydraulic hoses and wire harness to hydraulic cylinder.
- E) Unplug wire harness from back potentiometer.

Note: Pressing and holding Program Button on touch pad or foot switch while pressing a chair positioning arrow allows the chair to be positioned without a working potentiometer or on a uncalibrated chair.



Caution

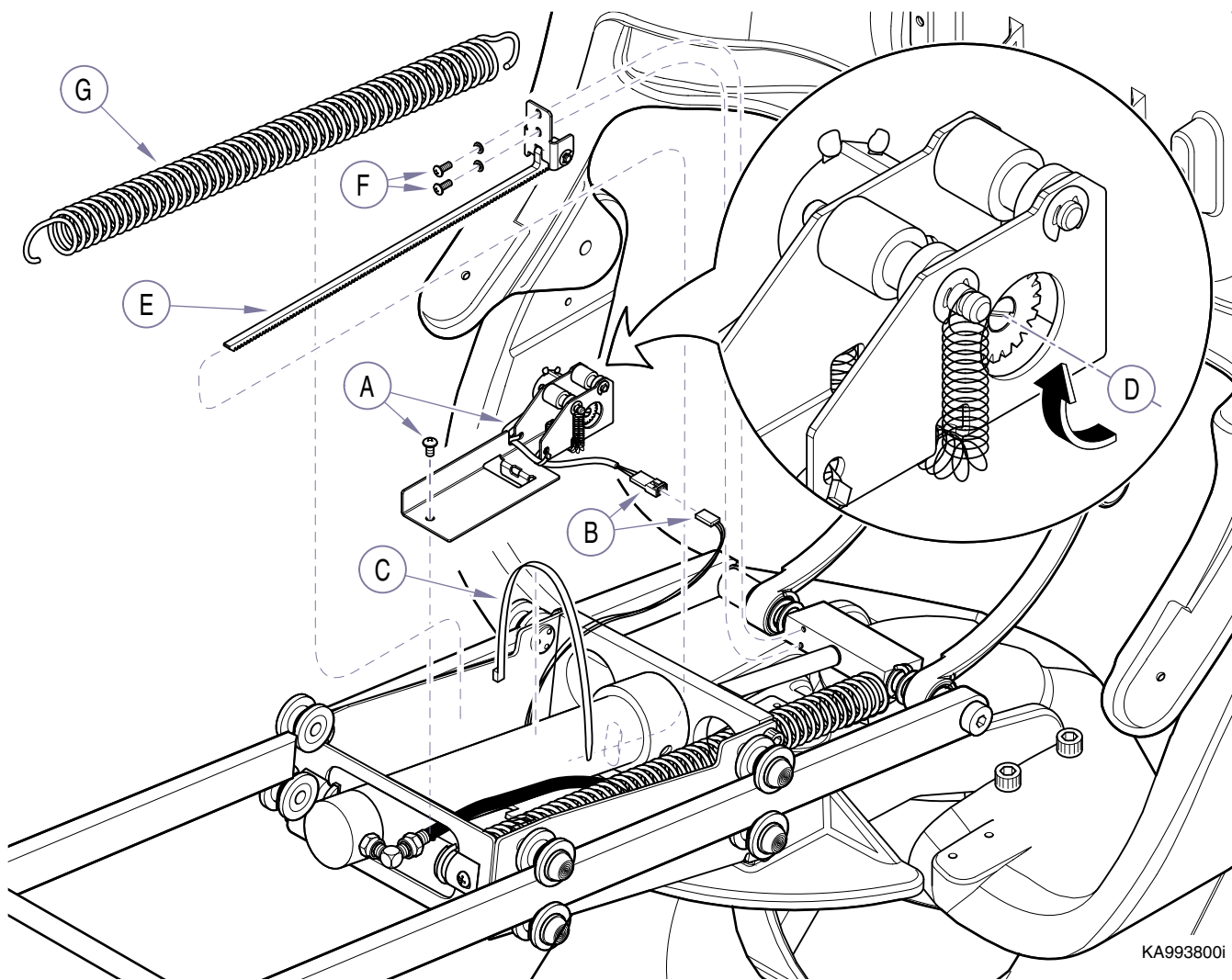
After raising back section unplug chair before continuing work.
Failure to comply could result in personal injury or equipment damage.

KA993700i

Step 2: Position chair and Remove old style potentiometer assembly.

- A) Plug chair power cord into electrical outlet. Press and hold Program Button and Back UP Button. Raise back section up to its mechanical stop. Unplug chair from outlet.
- B) Remove back sensor bracket along with potentiometer and shaft.
- C) Remove outboard bracket.
- D) Remove sensor dog.

Note: Pressing and holding Program Button on touch pad or foot switch while pressing a chair positioning arrow allows the chair to be positioned without a working potentiometer or on a uncalibrated chair.



Equipment Alert

Chair Back must be positioned all the way up to mechanical stop position before inserting gear rack (E). When gear rack is inserted potentiometer will be adjusted to correct travel.

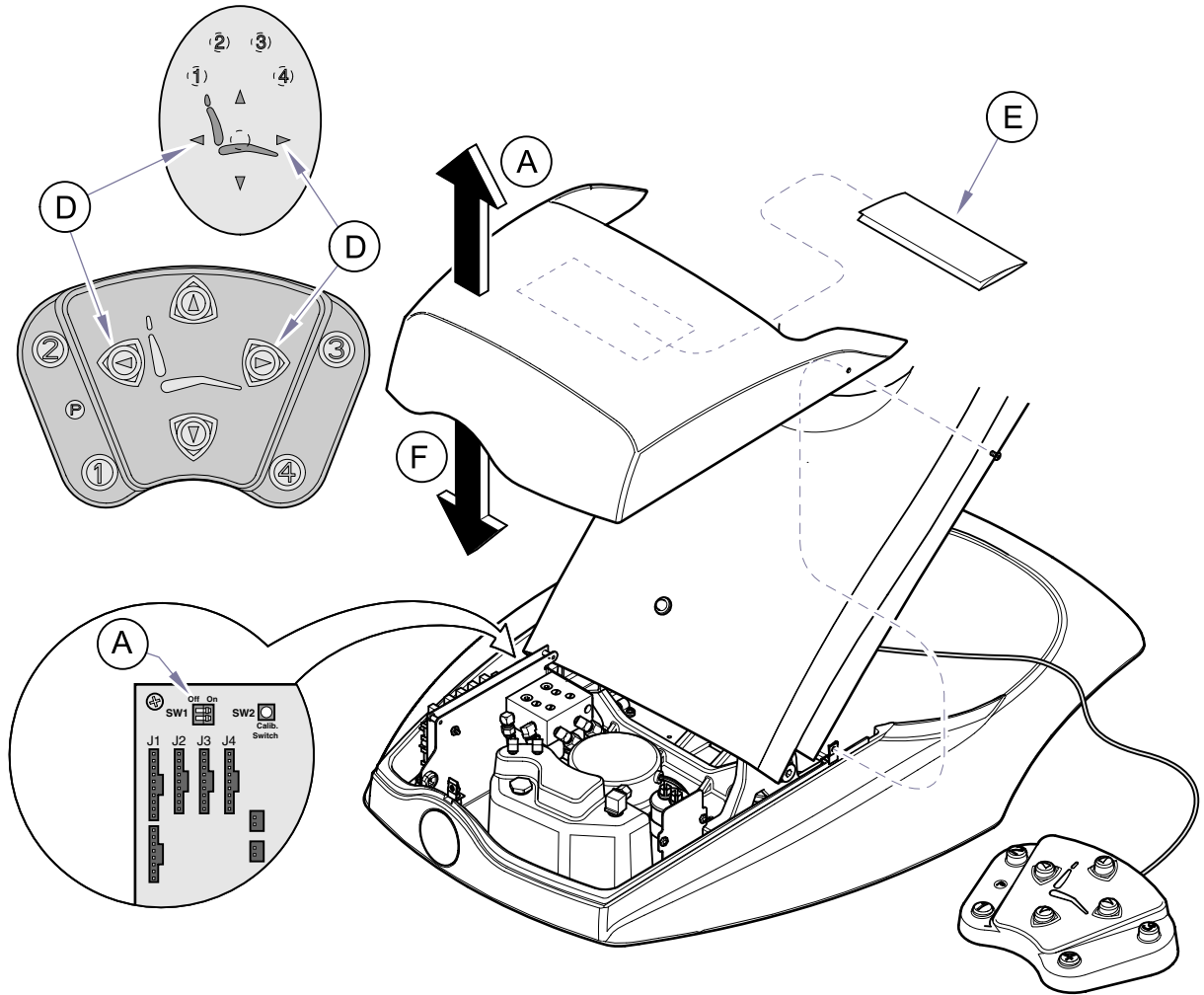
KA993800i

Step 3: Install new potentiometer assembly.

- A) Place potentiometer assembly in position and secure with screw.
- B) Connect chair wire harness to potentiometer wire harness.
- C) Secure hydraulic hoses and wire harness to seat cylinder using supplied wire tie.
- D) Rotate potentiometer spur gear (see arrow) until it stops at end of travel.
- E) Insert gear rack through access hole of face plate on hydro-glide assembly engaging gears on rack with spur gear on potentiometer assembly.
- F) Secure gear rack to yoke block.
- G) Connect right hand (patient's) lift spring.

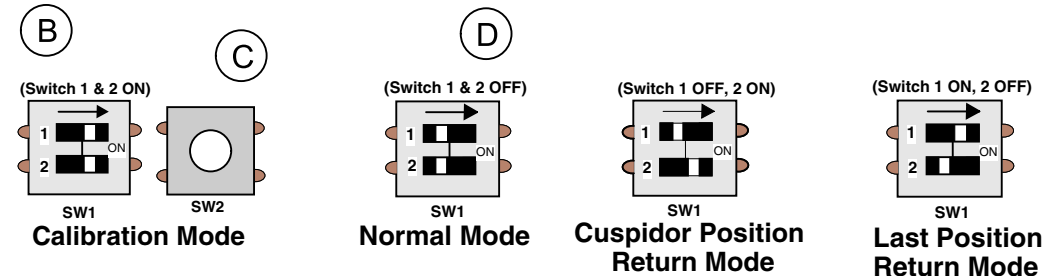
Step 4: Calibrate chair.

- A) Remove hydraulic cover and record SW1 switch settings.
- B) Set both switches on SW1 to ON position.
- C) Plug in chair, then press the Calibration button.
- D) After calibration is complete unplug chair and place SW1 switches back to original positions. Plug in chair and check BACK UP and BACK DOWN positions using directional buttons on foot or membrane switch.
- E) Remove schematic from pouch attached to inside of hydraulic cover and insert new schematic that is suitable (115 or 230 VAC) to the chair electrical specifications.
- F) Install hydraulic cover.
- G) install seat cushion.



Note

Chair automatically completes two cycles during Calibration.
First Cycle finds extreme end of travel of sensor settings.
Second Cycle checks to assure settings have been stored and can be recalled by software.



KA993900-1

Note

If necessary, refer to illustration (D) for additional SW1 settings or to Switch Settings in Section V of Service and Parts Manual for variations in settings and related operation.