

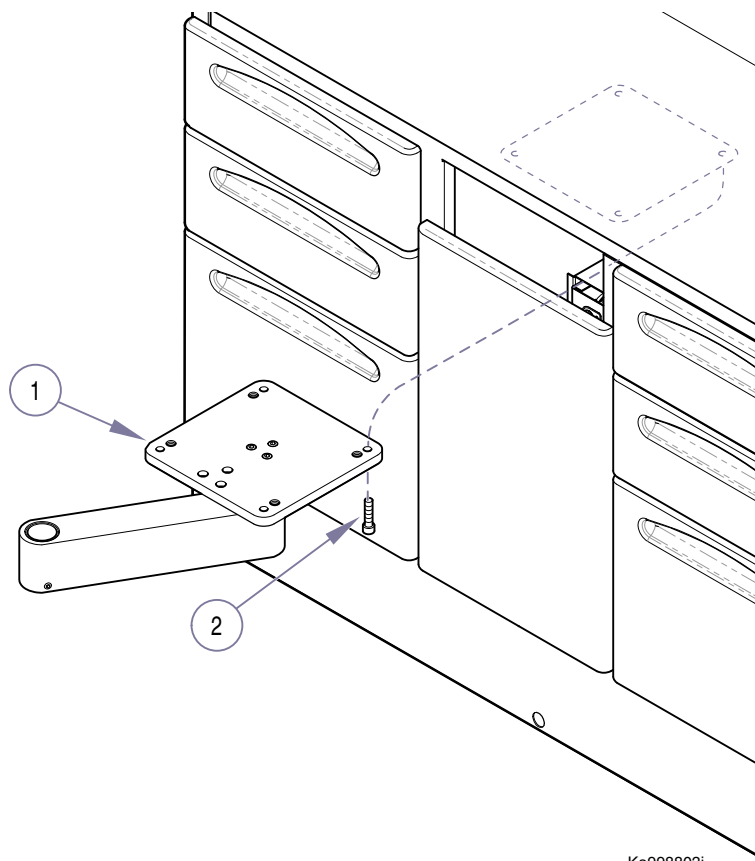
Installation Instructions

153659-001 12 O'Clock Work Surface
 9" x 13" Tray (002-1636-00)
 Tub Support (029-2791-00)

KIT COMPONENTS

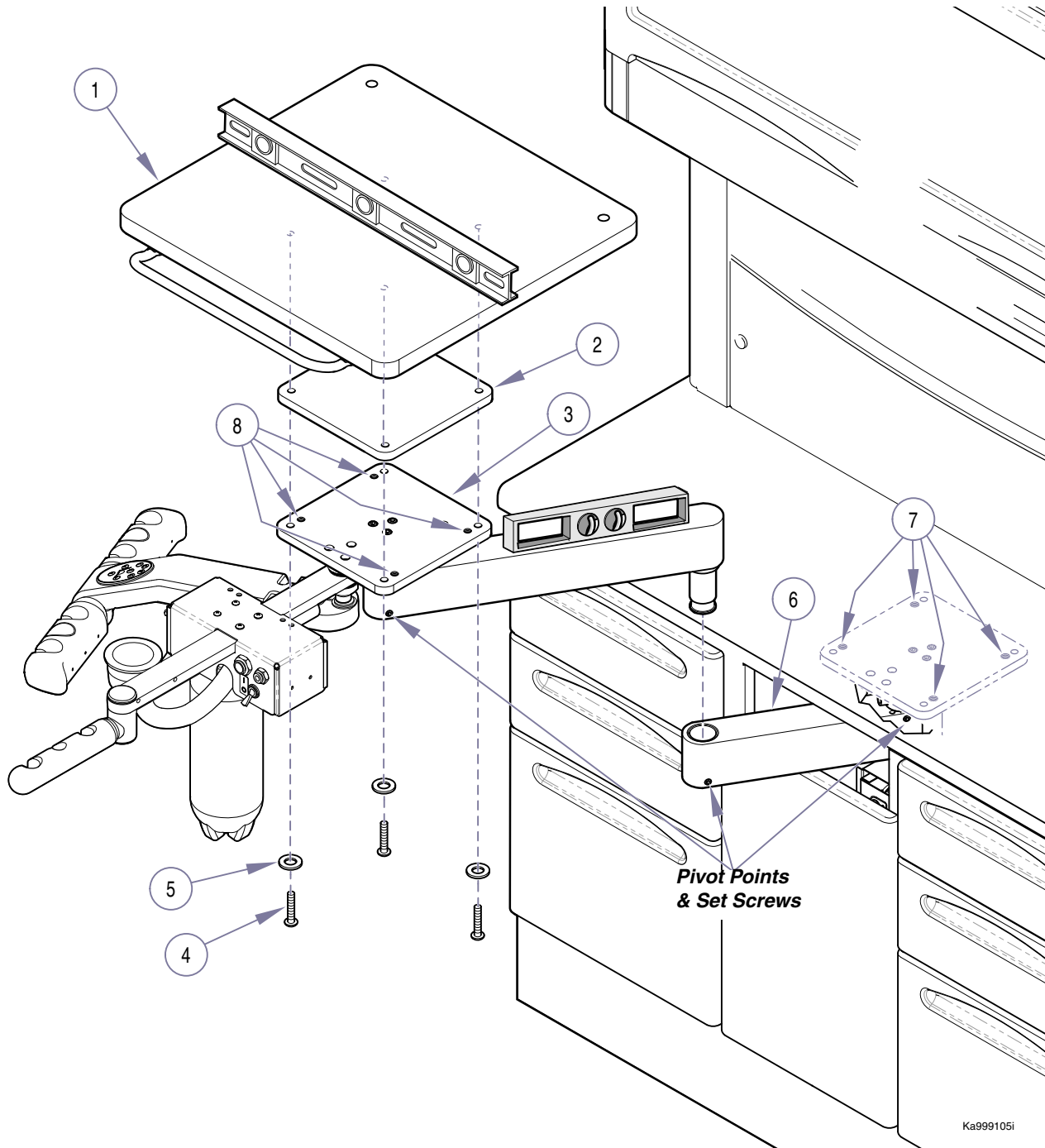
Part Number	Description	Qty
029-2764-00	Work Surface Top Assy.	1
• 040-0010-44	Screw, #10 - 24 x 1"	4
• 045-0001-97	Washer, plain #10.....	4
• 050-5776- X0	Leveling Plate	1
• 040-0375-69	Set Screw (leveling).....	8
029-2765-00	Cabinet Mount Arm Assy.	1
• 102975	Screw, 1/4"-20 x 1"	4
• 122348	Pin, Stop 3/16" x 5/8".....	2
029-2791-00	Tub Support.....	1
or		
002-1636-00	9" x 13" Tray.....	1
016-0131-22	Flange Bearing	1
003-1262-00	Installation Instructions.....	1

INSTALLATION



A. Place the Cabinet Mount Arm in position, aligning the mounting holes with the threaded inserts beneath the base counter top. Secure mount arm (1) to countertop with four screws (2) but do not tighten screws.

INSTALLATION



NOTE

The work surface can be mounted to the mounting arm using either sets of mounting holes.

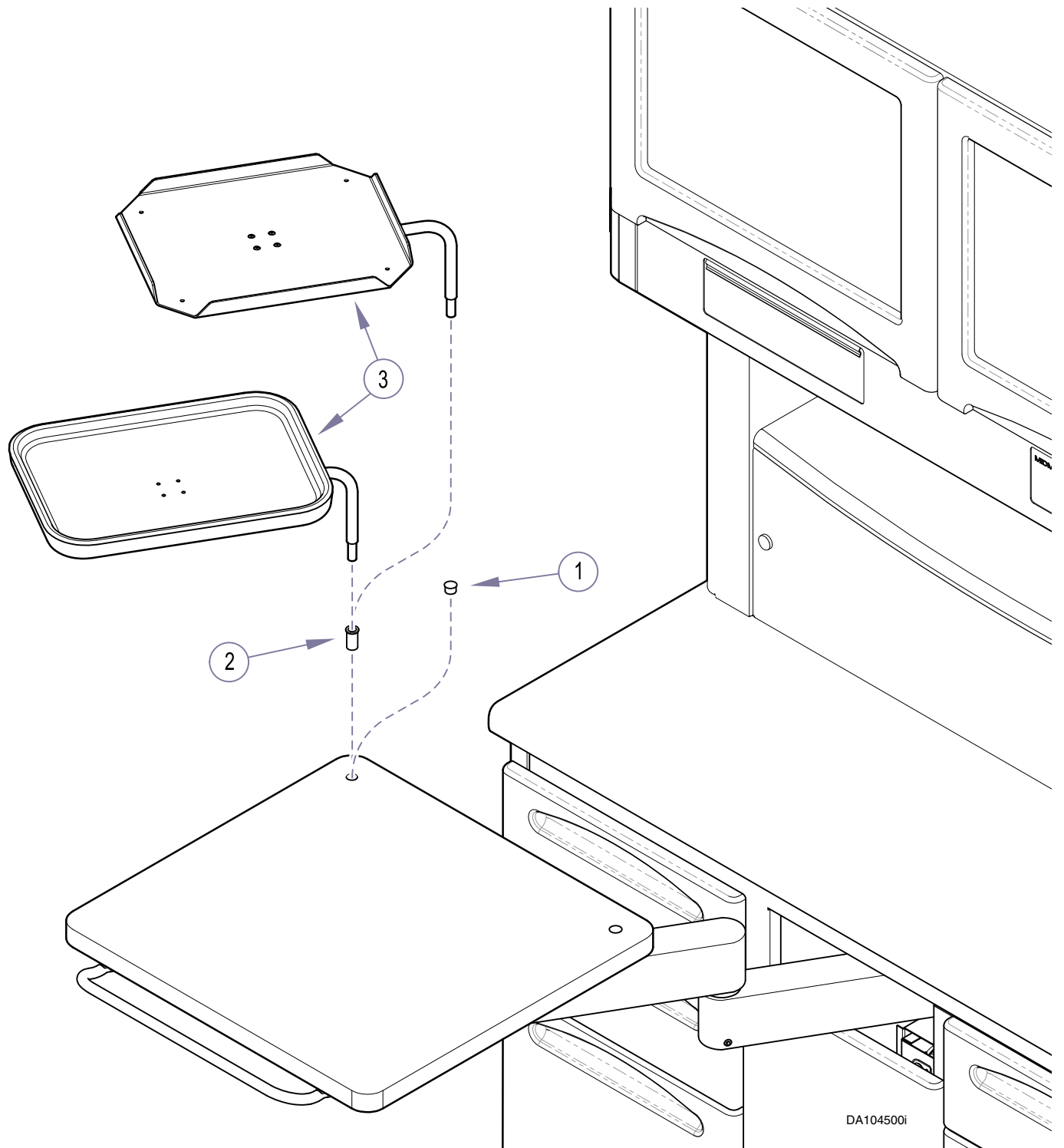
- A. Align desired set of mounting holes in work surface (1) with holes in leveling plate (2) and unit mount arm (3); then secure with four screws (4) and spacers (5).
- B. Insert unit mount arm (3) into cabinet mount arm (6) and check for level. Adjust leveling screws (7) if necessary.
- C. Check work surface (1) for level. Loosen screws (4) and adjust leveling screws (8) if necessary; then tighten screws (4).
- F. Check drag at three **pivot points**. Loosen / tighten **set screw** at each pivot point as necessary



CAUTION

The maximum weight the work surface will support is **40 lbs. (18 kg)**. Exceeding the weight limit may result in personal injury and/or damage to equipment.

INSTALLATION

**NOTE**

The Work Surface Assembly will include either a 9" x 13" Tray Assembly or a Tub Support. The installation is similar for either assembly. The assembly can be installed for either right or left hand operation.

- A. Remove the appropriate right or left hand plug button (1).
- B. Insert the flange bearing (2).
- C. Install the Tray Assembly or Tub Support (3).

MIDMARK[®]

Midmark Corporation, Versailles, Ohio 45380 U.S.A.
(937) 526-3662 FAX (937) 526-5542

003-1262-00 Rev. I (12/12)