

MODEL: DM-FTC001, 002, 003, 004

Installation Instructions

RECOMMENDED TOOLS

- Screwdriver, straight blade and phillips.
- Level
- Tape Measure
- 1/4" socket and ratchet
- Open end / box end wrenches
- 3/8" masonry bit
- 9/32" wood bit
- Hammer drill

RECOMMENDED FASTENERS (Supplied)

Wood Floor

042-0209-00 Screw, Lag (3/8" x 2 1/2") Qty 4

045-0001-00 Washer, Flat (3/8") Qty 4

Concrete Floor

042-0208-00 Anchor, Wedge (3/8" x 3 1/2") Qty 4

045-0001-00 Washer, Flat (3/8") Qty 4

Brackets / Shims

050-5812-X0 Anchor, Mounting Clip Qty 4

053-1242-00 Shims Qty 4

ADDITIONAL HARDWARE (Supplied)

040-0010-12 Mounting Screws (10-24 x 5/8") Qty 4

045-0001-08 Lockwashers, Internal (#10) Qty 4

040-0010-48 Particle Bd. Screws (#10 x 5/8") Qty 4

053-0668-00 Shelf Clips Qty 4 / shelf

TASK LIGHT CONFIGURATIONS

Task Light w/ RH Clock & LH Viewer

Task Light w/ Clock-RH Mounted

Task Light w/ Clock-LH Mounted

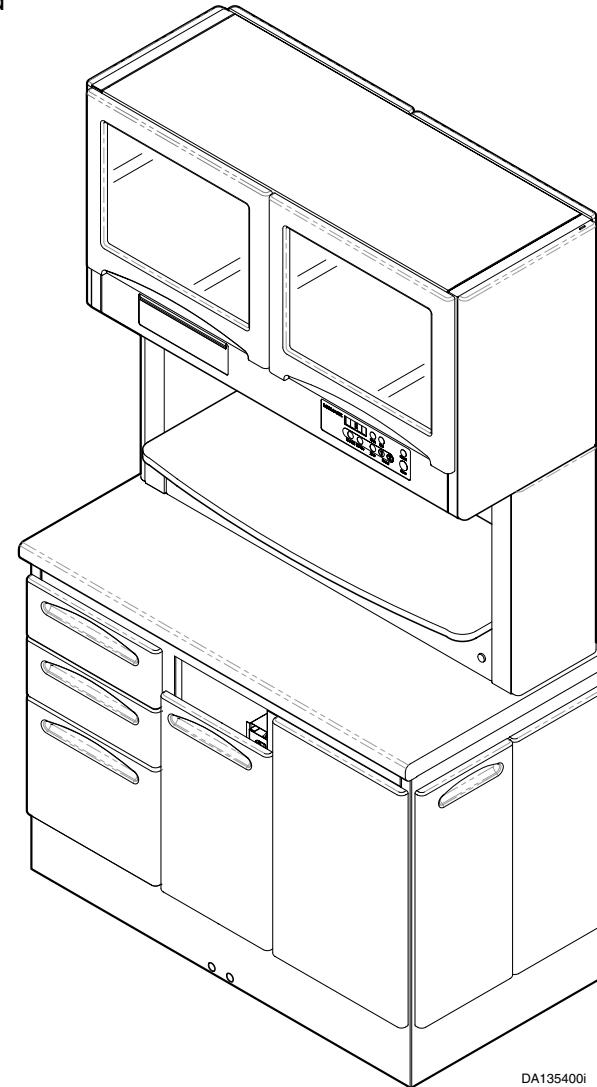
Task Light (Full)

Task Light w/ LH Clock & RH Viewer

Task Light w/ RH Filler Panel

Task Light w/ LH Filler Panel

Shown with:
Task Light, Right-hand
Clock and Left-hand
Viewer.



DA135400i



Floor Layout (as applicable)

A - The floor layout (Figure 1).

NOTE

A full size pre-installation Floor Template (003-1270-00) and Wall Template (003-1352-00) are available upon request or refer to rough-in dimensions on next page (Figure 2 & 3).

B - Have licensed electrical and plumbing contractors position and install electrical outlet receptacles and related plumbing using the pre-installation template or layout (Figure 1).

NOTE

Assure floor is of such construction that the unit(s) will be adequately supported and anchored.

If necessary, contact a licensed contractor to reinforce the floor-

NOTE

Midmark Casework unit must be connected to a dedicated circuit breaker rated 15 amps, 120 VAC. Failure to comply could result in an overload of the electrical circuit and / or components. All electrical and plumbing connections must be made by a licensed electrician and plumbing contractor following applicable local, city, and national codes.

Midmark Casework unit contains 4 electrical duplex outlets, which are rated at a **combined 15 amps**. This rating must be taken into account when plugging device(s) into the available outlets.

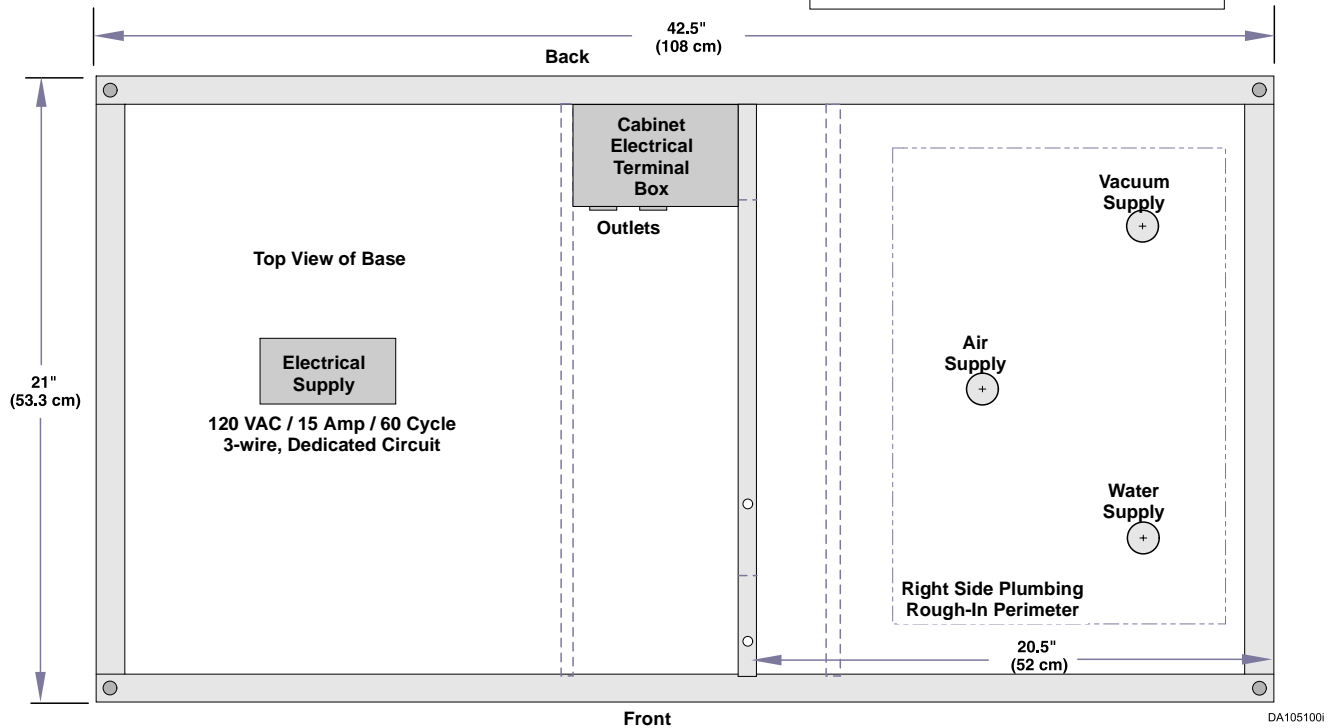
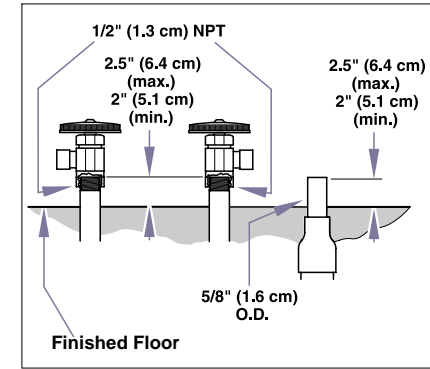
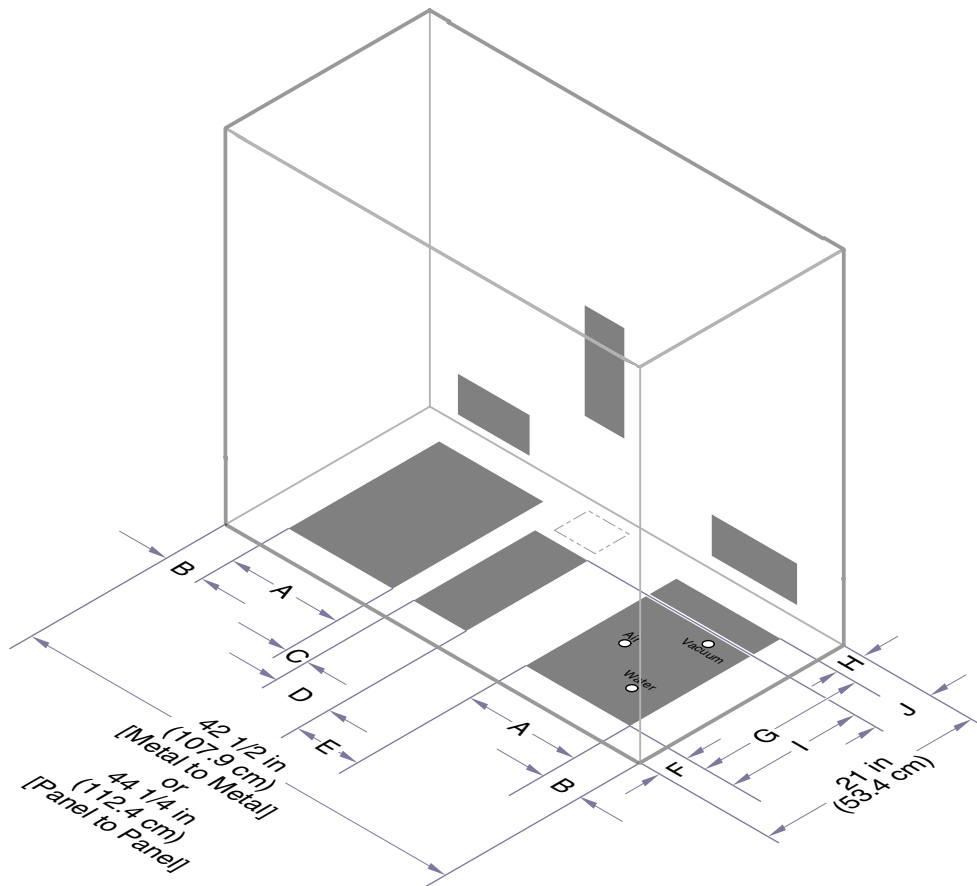


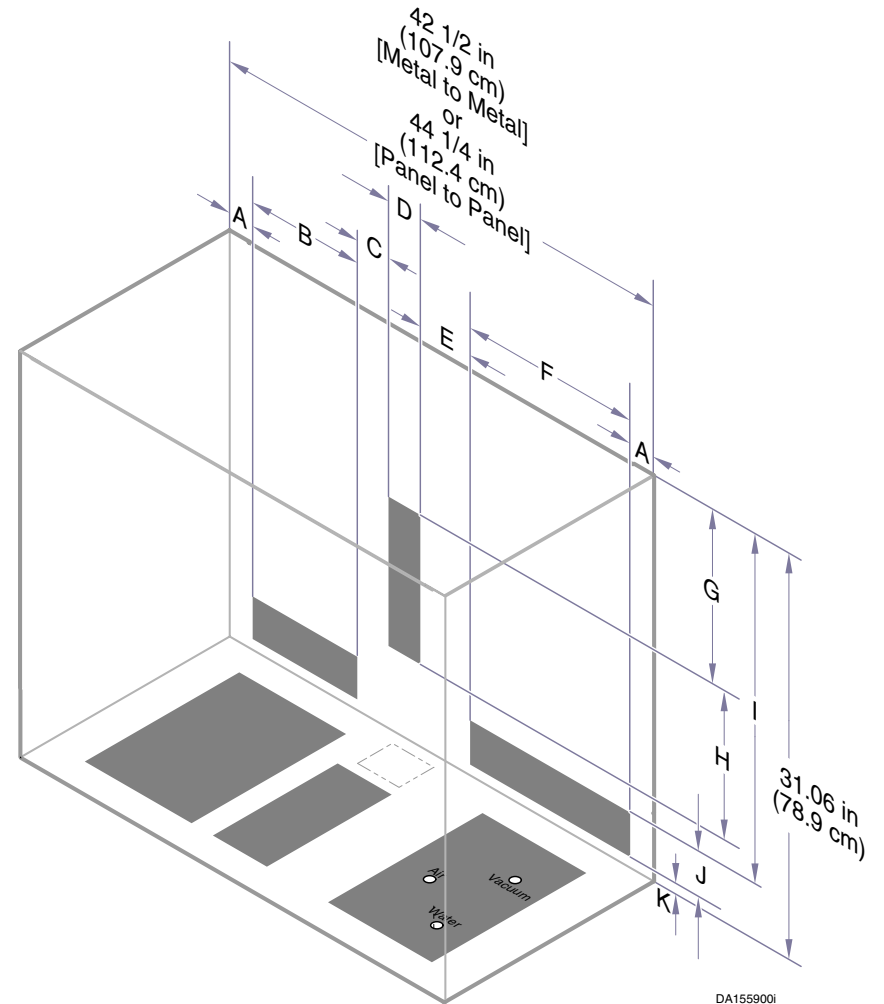
Figure 1



DA155800i

"A"	"B" [M to M]	"B" [P to P]	"C"	"D"	"E"
10 3/8" (26.4 cm)	3" (7.6 cm)	4" (10.1 cm)	1 1/8" (2.9 cm)	6 3/16" (15.7 cm)	7 3/8" (18.7 cm)
"F"	"G"	"H"	"I"	"J"	
3" (7.6 cm)	15 1/2" (39.4 cm)	2 1/2" (6.4 cm)	12" (30.5 cm)	6" (15.2 cm)	

Figure 2



DA155900i

"A" [M to M]	"A" [P to P]	"B"	"C"	"D"	"E"
3" (7.6 cm)	4" (10.1 cm)	9 1/2" (24.1 cm)	3 3/4" (9.5 cm)	3 1/4" (8.3 cm)	8" (20.3 cm)
"F"	"G"	"H"	"I"	"J"	"K"
12" (30.5 cm)	11 1/8" (28.3 cm)	11 5/8" (29.5 cm)	26" (30.5 cm)	4 1/8" (10.5 cm)	3/4" (1.9 cm)

Figure 3

Unpacking

NOTE

Inspect all components for shipping damage. A concealed damage report must be filed with the carrier by the person receiving the goods within 15 days of delivery.

- A - Remove the shrink wrap, strapping and cardboard filler
- B - If supplied, remove the solid panels and shelves.
- C - Remove the base and midsection assembly from the skid and place in position on floor.
- D - Remove the Overhead Section from the carton.

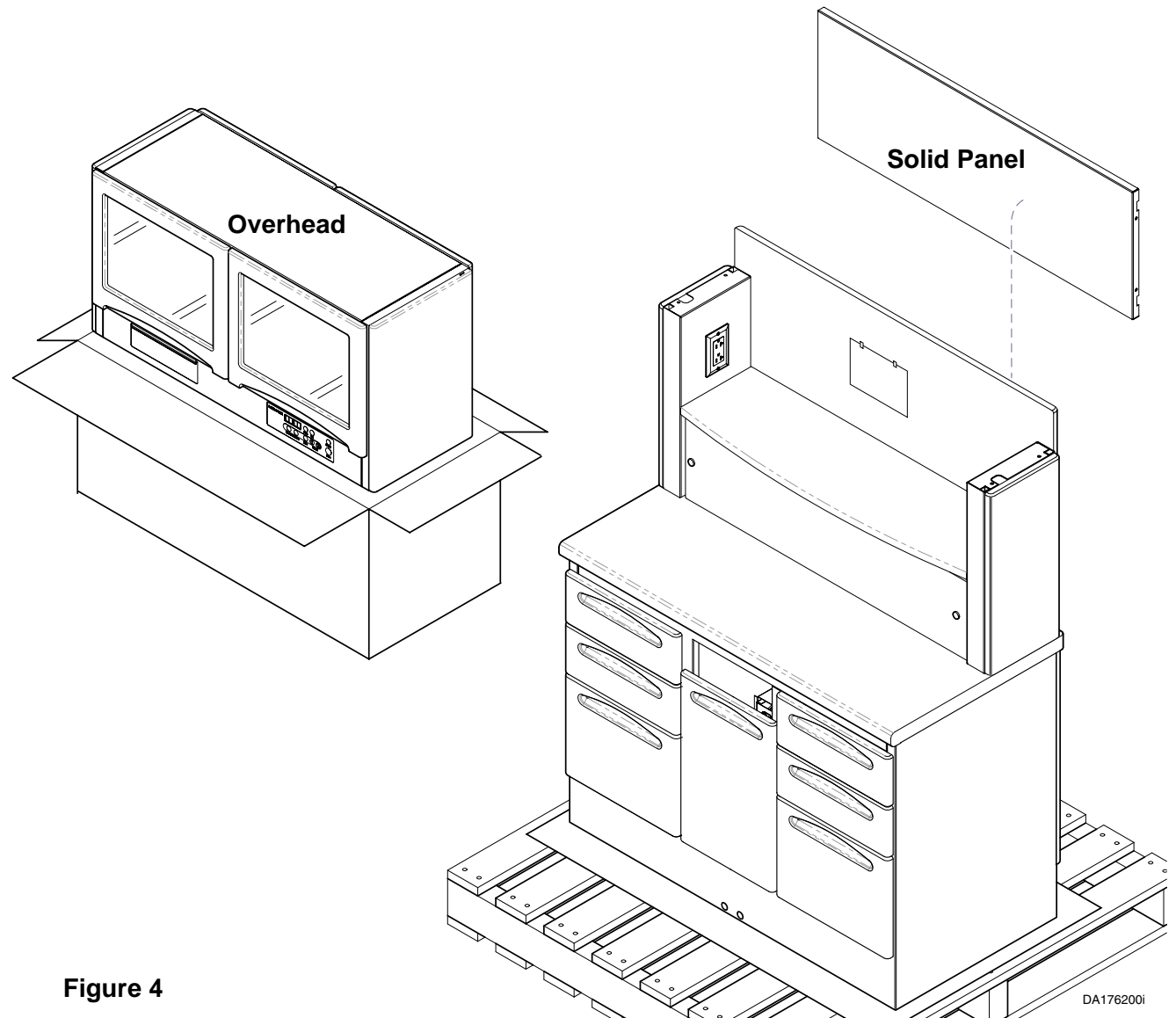


Figure 4

DA176200i

Setting Up

NOTE

If applicable, refer to 2" Drawer Removal on next page as removal is different.

- A- If necessary, remove the drawers by pulling the drawer outward until it meets resistance.
- B- On both sides of drawer, pull outward until locking slots (1) on drawer are free of tabs (2) on drawer glides (3).
- C- Lift drawer upward (4) while pulling outward to free rear of drawer from hooks (5) on glide.
- D - On base sections that have doors, open door and remove bottom shelf.

NOTE

When reinstalling drawers assure back of drawer is positioned beneath hooks (4) on glides and tabs (2) on glide snap into locking slots (1) on drawer.

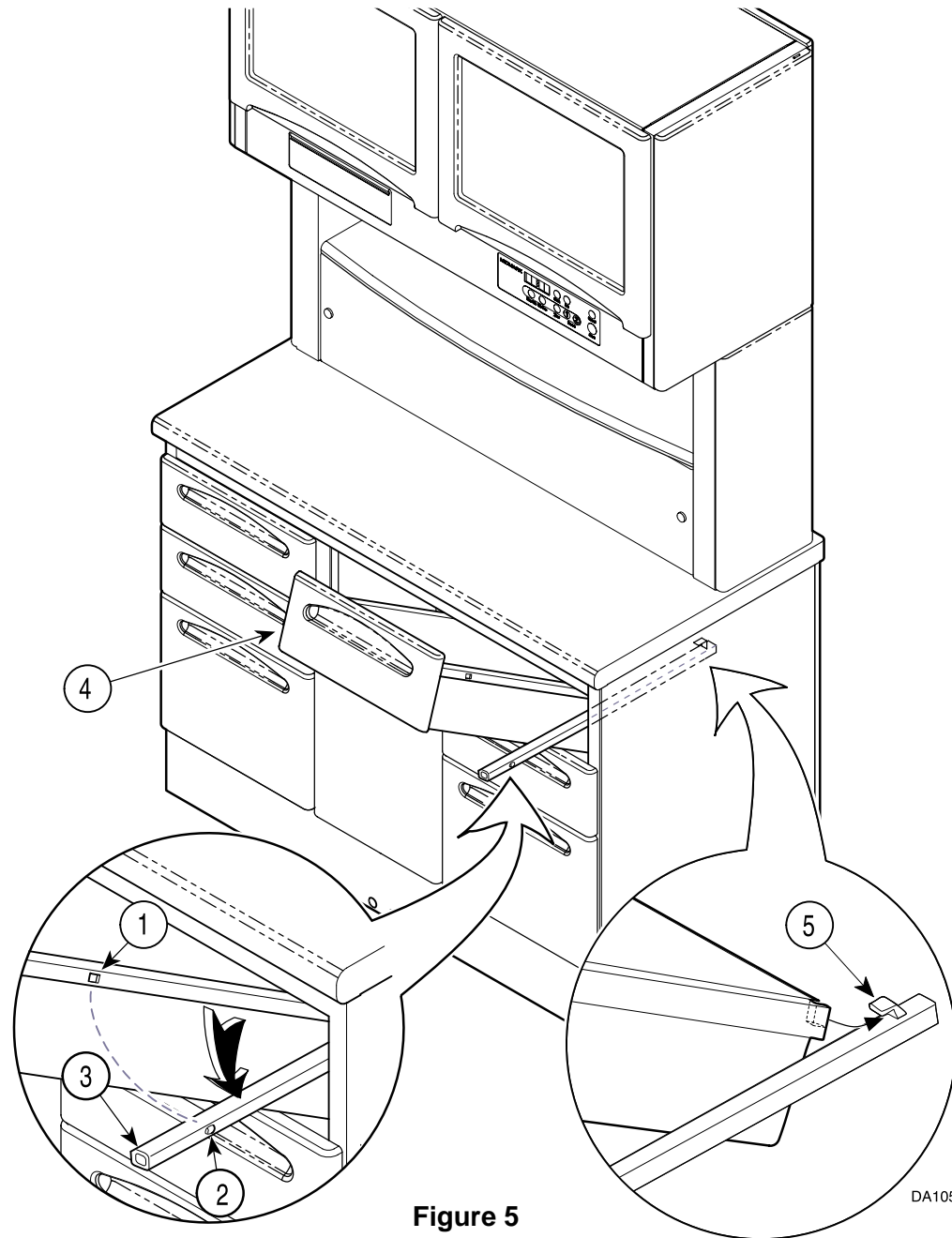


Figure 5

DA105700i

Removal of the 2" (5 cm) Drawer.

To remove drawer and front slide:

A - While lifting or pushing down release lever, one is on each side, slide rail and drawer from slide.

To remove drawer tray and front:

B - Remove four screws, then slide drawer tray and front from channel.

To remove slides:

C - Remove four screws, then remove slides.

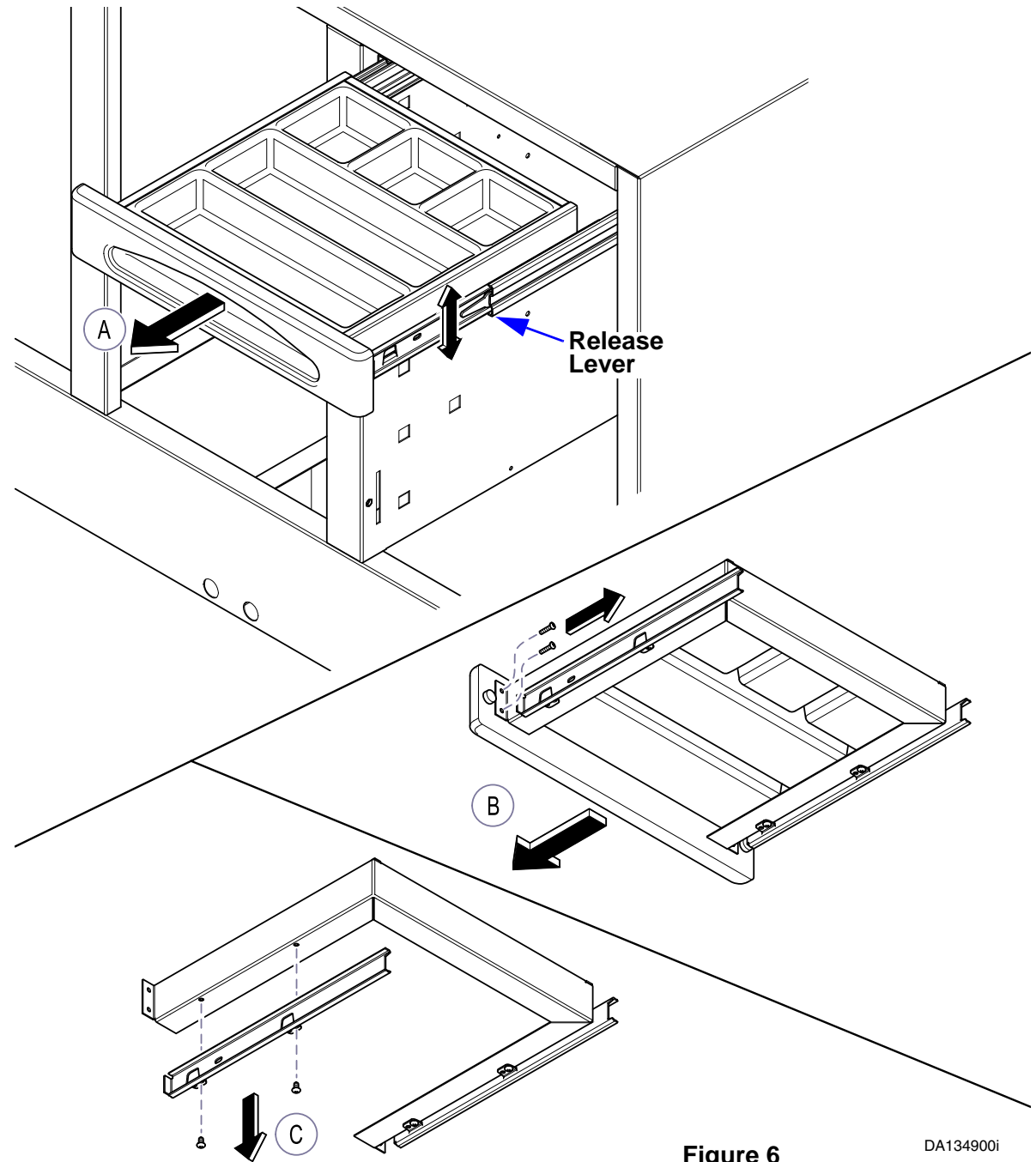


Figure 6

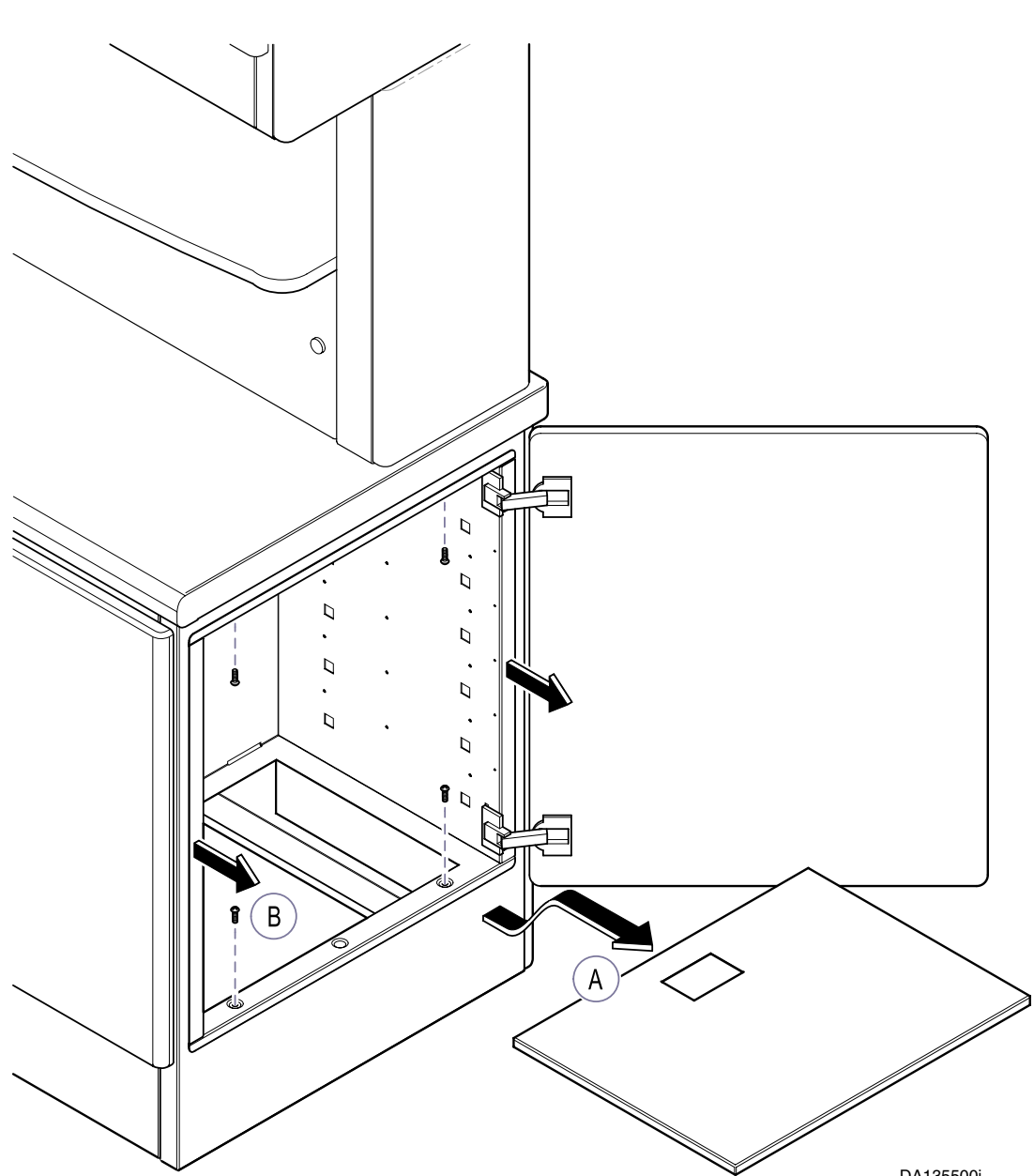
DA134900i

Side Storage Unit

NOTE

The Side Storage false bottom panel will have to be removed or, the entire unit, to install the anchor mounting clips.

- A - Open the doors and lift out the false bottom panel.
- B - If necessary, remove the four screws and pull out the Side Storage Unit.



DA135500i

Figure 7

Locating Anchor Mounting Clips and Bolts

A - Place the Anchor Mounting Clips as close as possible (within 4" [10 cm]) to the corners without interfering with the level bolts.

Figure 4 shows suggested locations of the four mounting clips.

NOTE

The holddown bolts for the anchors should be placed as close as possible to the sub-base lip.

B - Using the Anchor Mounting Clips as templates, place location marks for the hold-down bolts on the floor.

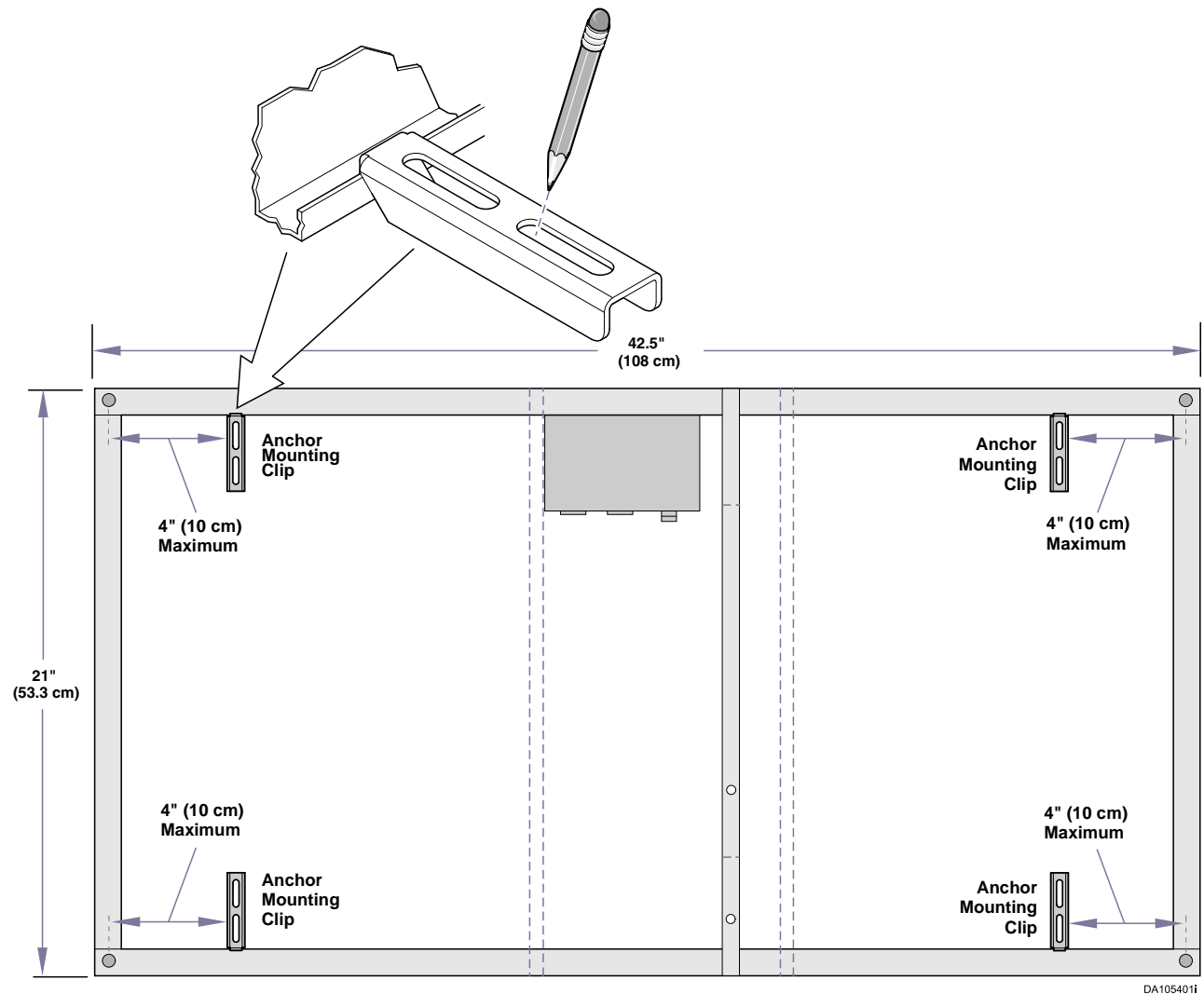


Figure 8

Installing Anchor Mounting Clips and Leveling.

A - Using the appropriate drill bit (3/8" masonry or 9/32" wood bit) drill holes at each location per specification in Figure 5.

B - Loosely install the Anchor Mounting Clips.

C - Using a 1/4" socket and ratchet, adjust leveling screws in each corner until cabinet is level.

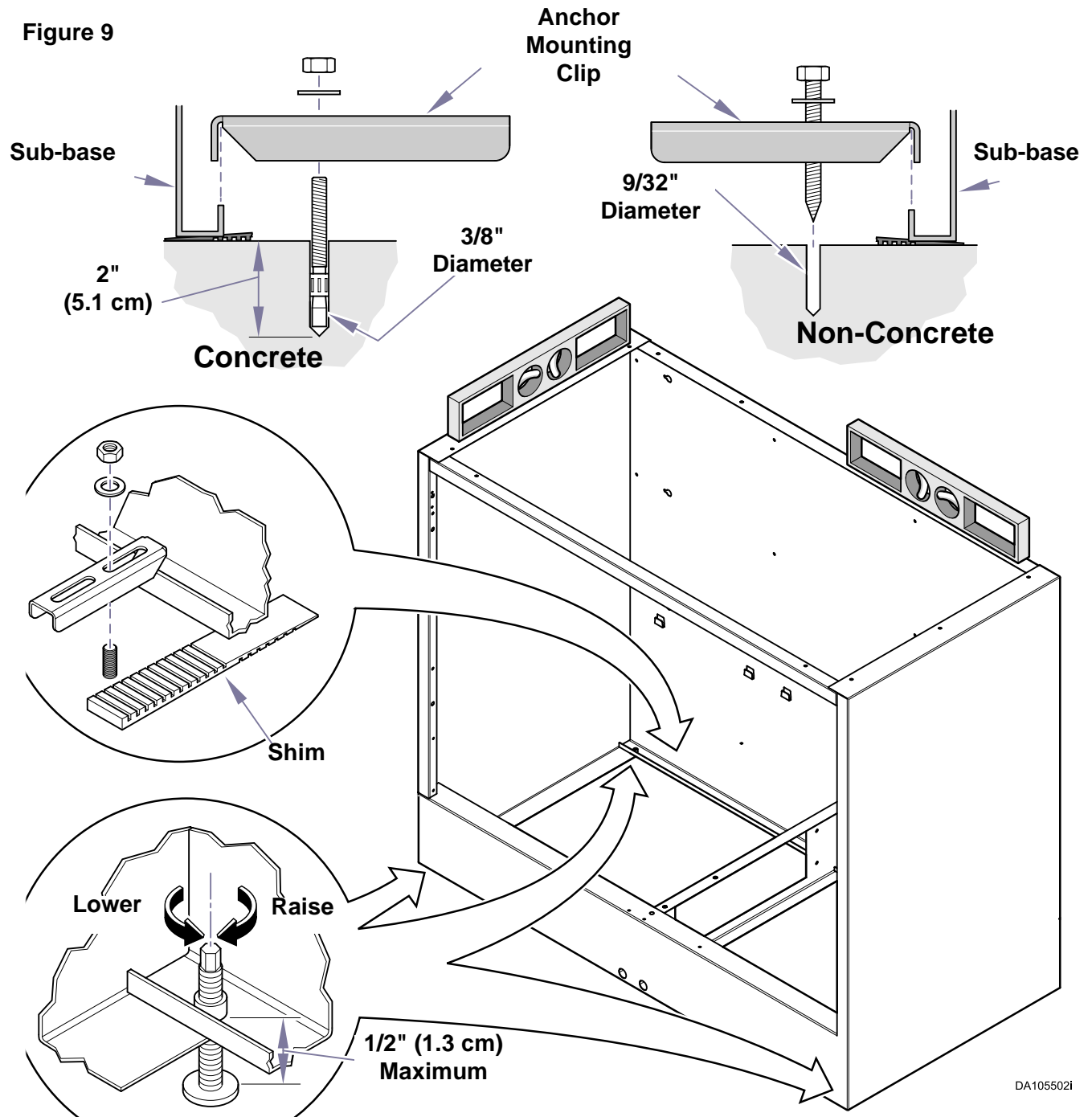
NOTE

Do not adjust leveling screws more than 1/2" (1.3 cm) to prevent loss of stability.

D - Insert shims beneath area of anchor and tighten each bolt.

E - Trim any excess shim material that may protrude beyond base.

Figure 9



DA105502i

Installing Overhead Section (If Required)

A - Remove Side Panels and Receptacle Enclosure Covers.

B - Position Overhead Section in place on top of Midsection, aligning mounting holes.

NOTE

If unit is equipped with an under-cabinet light, and clock / timer it will be necessary to make plug connections.

C - Connect the plugs from the Overhead Section and Midsection.

D - Secure Overhead Section to Midsection with four 10-24 x 5/8" (040-0010-12) screws, four #10 lock-washers (045-0001-08).

E - Install the receptacle enclosure and side panels.



The four particle board screws ***must*** be installed for stability.

F - Install the four particle board screws.

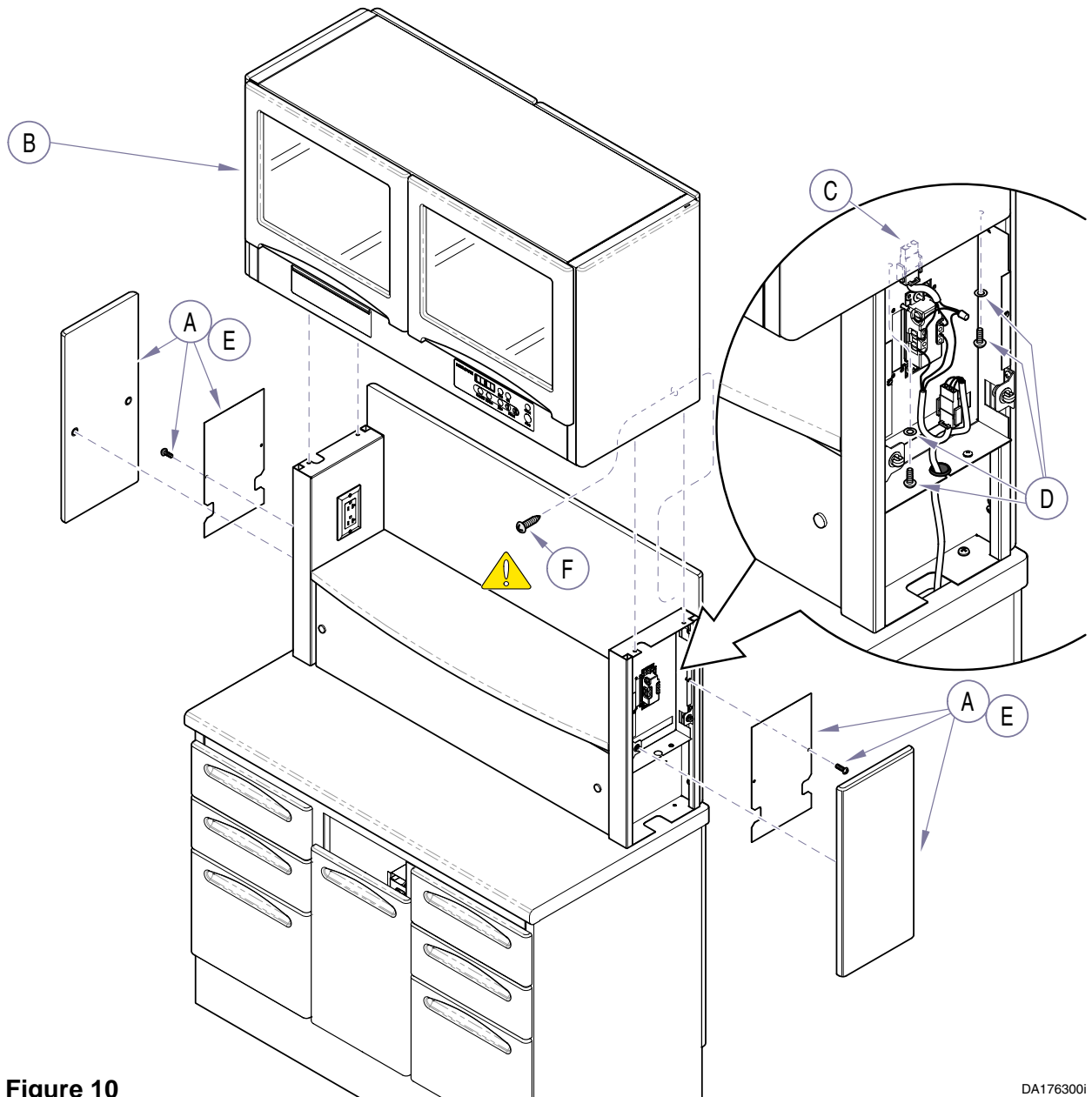


Figure 10

DA176300i

Install and Adjust Doors and / or Panels and Shelves

NOTE

If a solid panel is used in place of the rear doors, place the panel in position by aligning the screws in the panel with the keyhole slots on the mounting brackets. Assure screws are at bottom of keyhole slots then tighten them.

- A - Place doors in position on Upper Section and secure each hinge with 10-24 x 5/8" screw, and internal tooth lockwasher, then check door for adjustment.

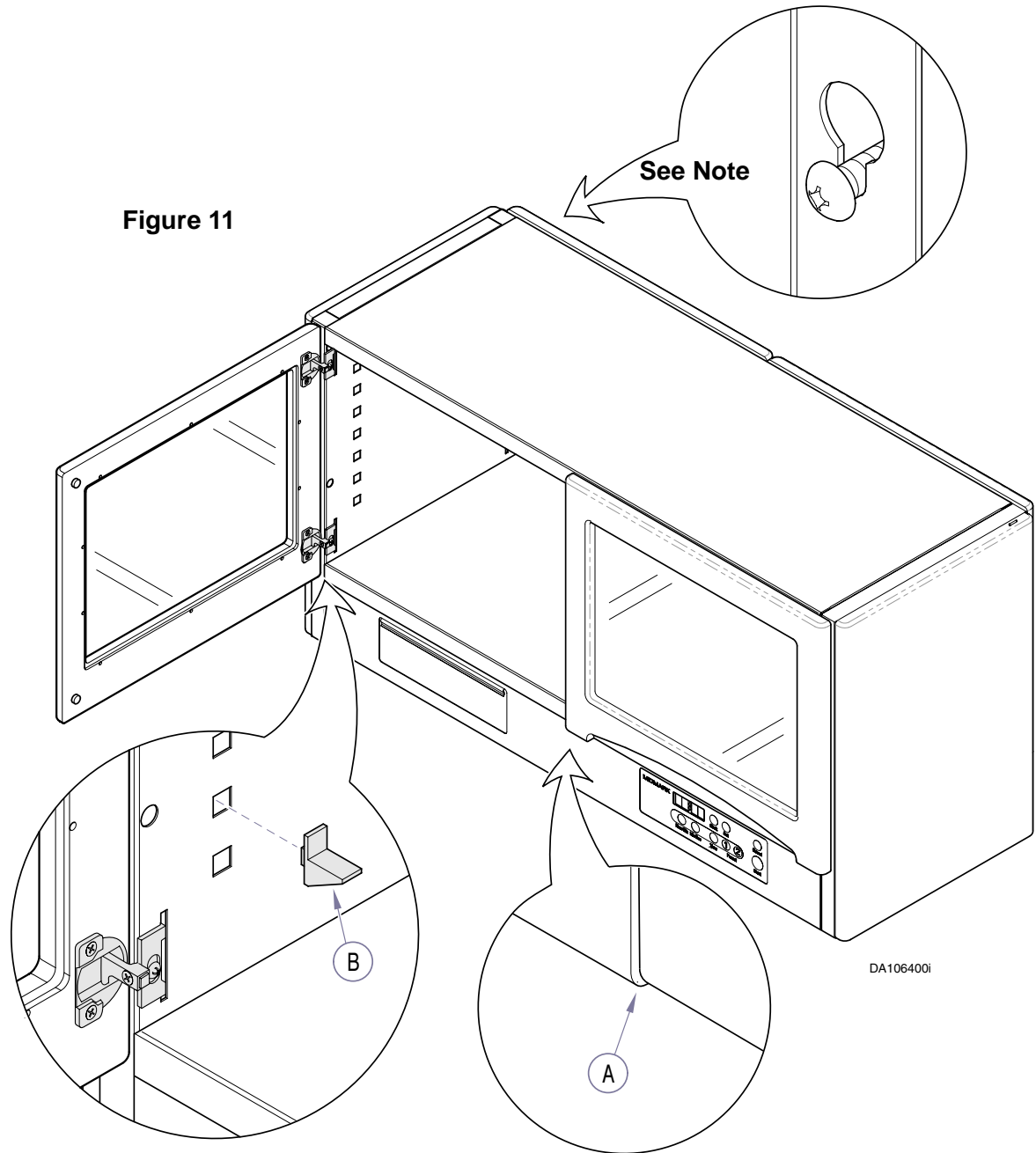
Gap between doors should be approximately 1/16" (.16 cm).

NOTE

Refer to Hinge Adjustments for proper adjustment procedures.

- B - Install shelf brackets at desired height of shelf.

Figure 11



DA106400i

Hinge Adjustments.

NOTE

For adjustment on a specific hinge, refer to illustration.

A - Side Adjustment

Turn screw (A) until door is in desired position.

B - Height Adjustment

Loosen screw (B) approximately 1/4 turn, reposition door, then tighten screw.

C - Depth Adjustment

Loosen screw (C), reposition door, then tighten screw.

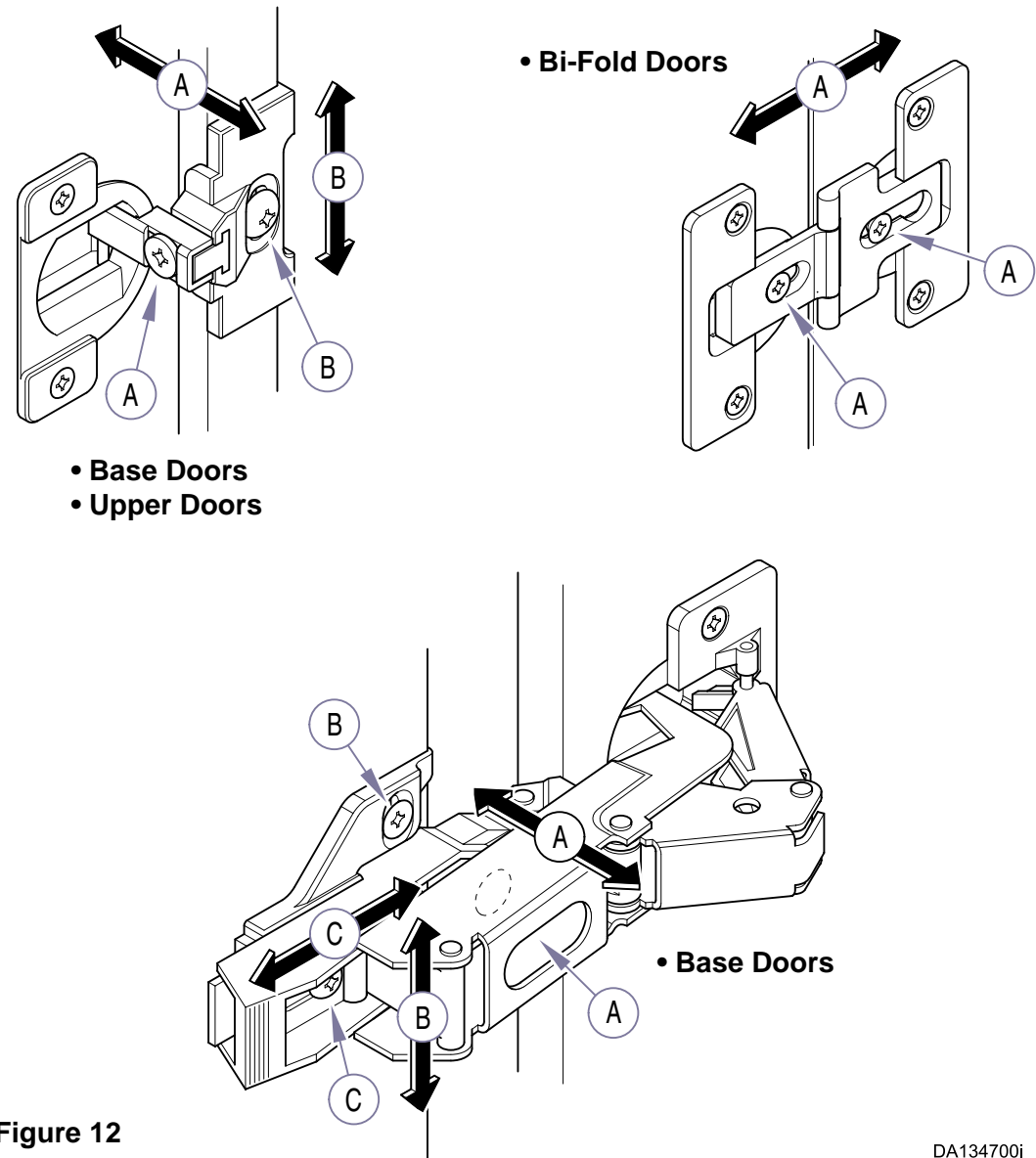


Figure 12

DA134700i

MidSection Full Monitor Shelf

- A - Remove the accessory panel (two screws and screw covers).
- B - Place the shelf in position, inserting the mounting screws in the keyhole slots of the side brackets. Tighten the mounting screws.
- C - Install the three mounting screws in the rear bracket.
- D - Install the accessory panel (two screws), then place the screw covers over the screw heads.

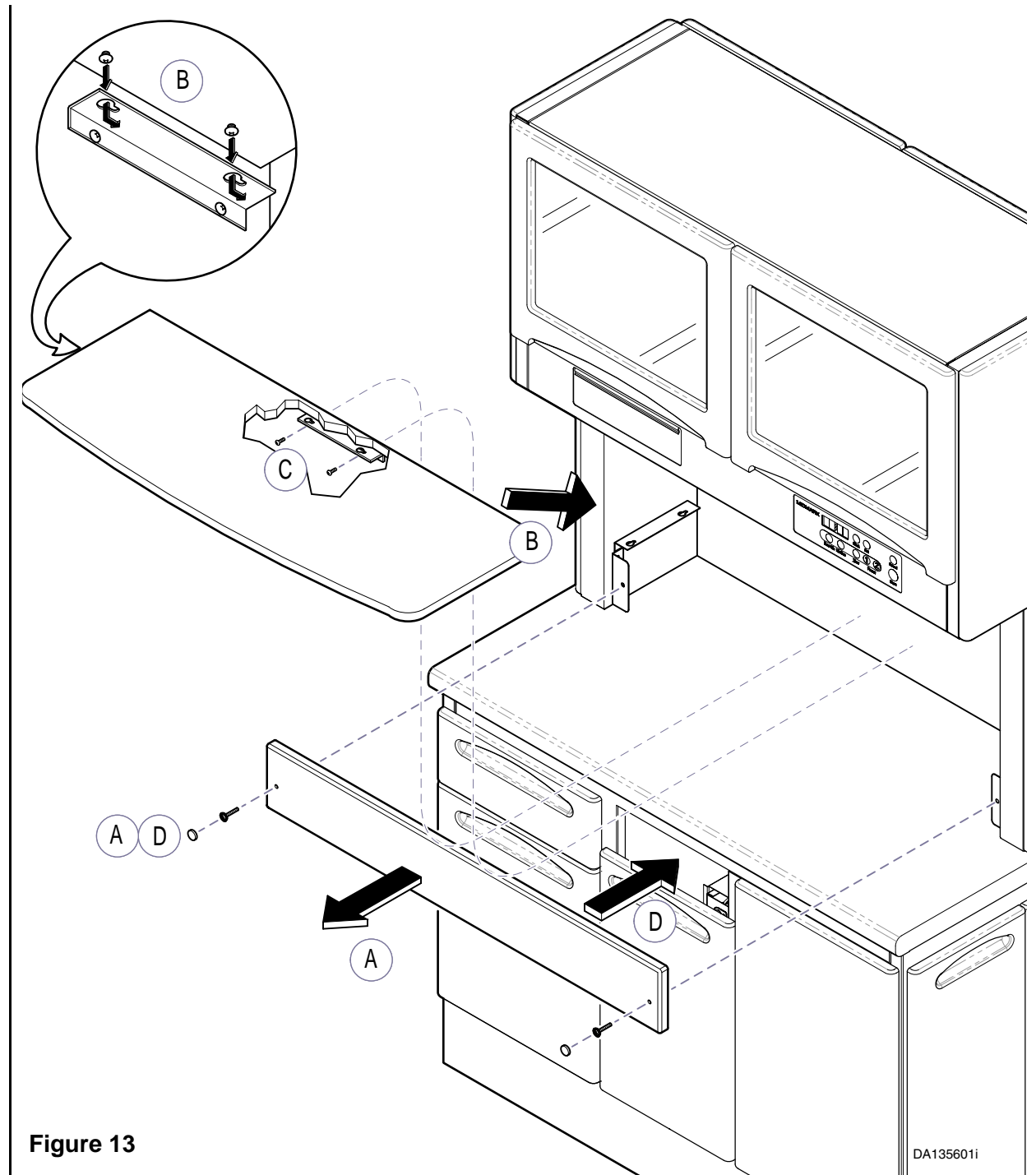


Figure 13

DA1356011

Models: DM-FTC001 & 002

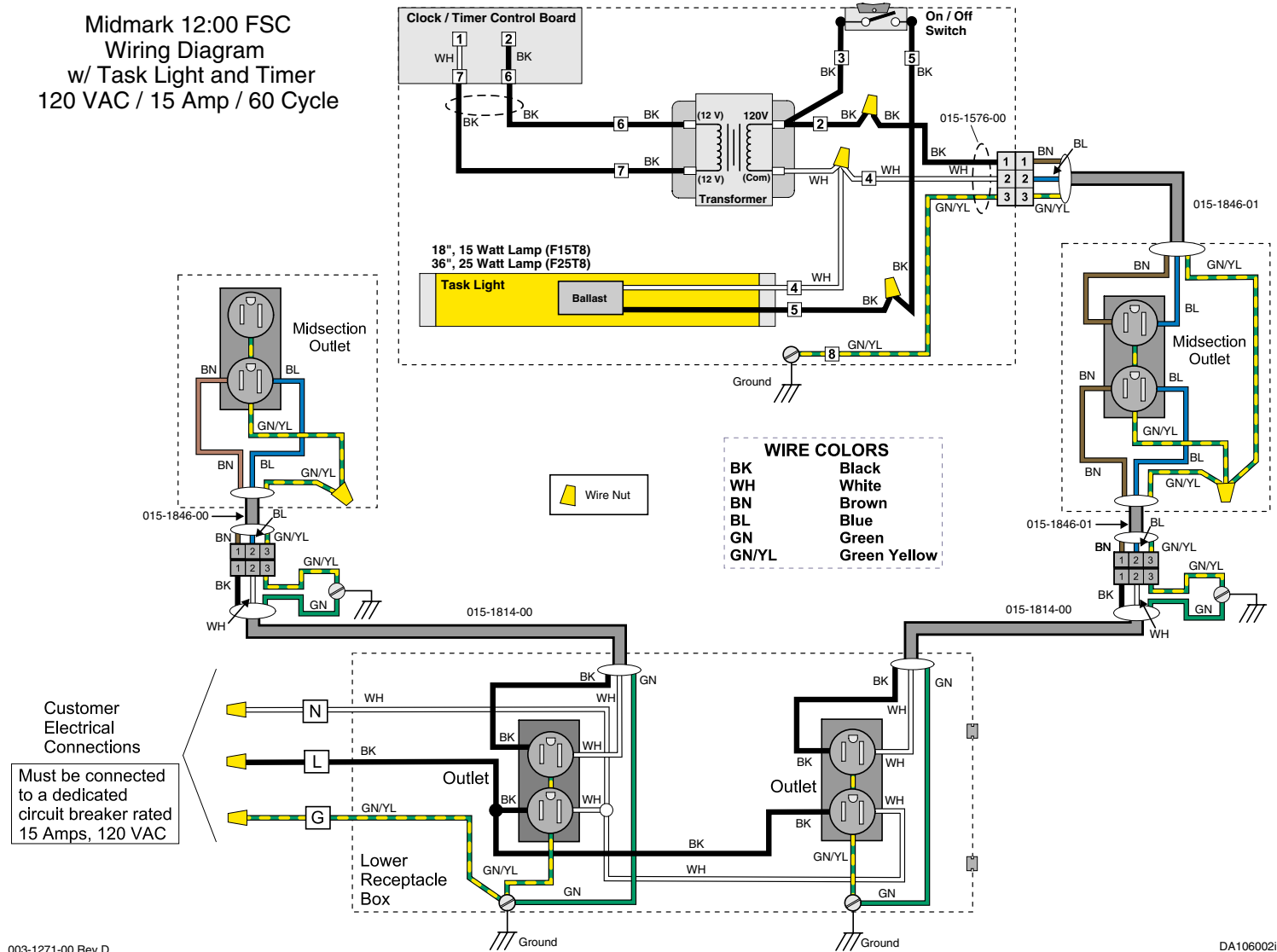
Midmark 12:00 FSC
Wiring Diagram
w/ Task Light and Timer
120 VAC / 15 Amp / 60 Cycle

Electrical Schematics.

(Refer to Figures 14, 15, 16 and 17).

NOTE

Only Licensed Electricians following local electrical codes should install and connect the electrical supply power. Midmark cannot be held responsible for installations that do not conform to local codes.



003-1271-00 Rev.D

DA106002i

Figure 14

Models: DM-FTC001 & 002

**Midmark 12:00 FSC
Wiring Diagram
Task Light Option
120 VAC / 15 Amp / 60 Cycle**

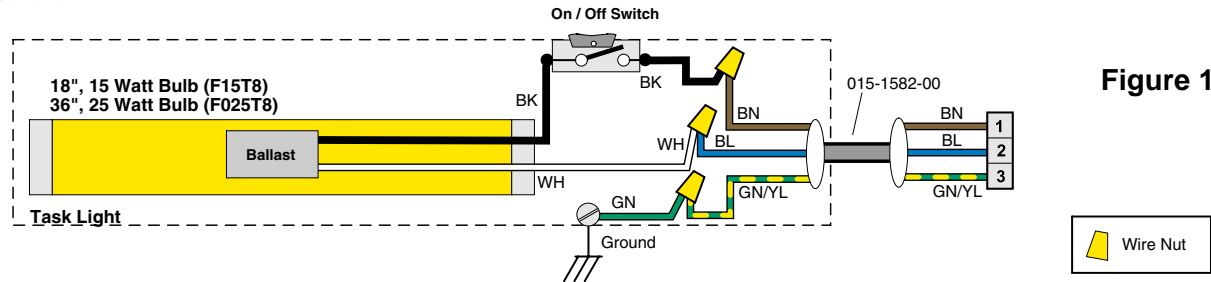


Figure 15

Models: DM-FTC001 & 002

**Midmark 12:00 FSC
Wiring Diagram
w/o Task Light
120 VAC / 15 Amp / 60 Cycle**

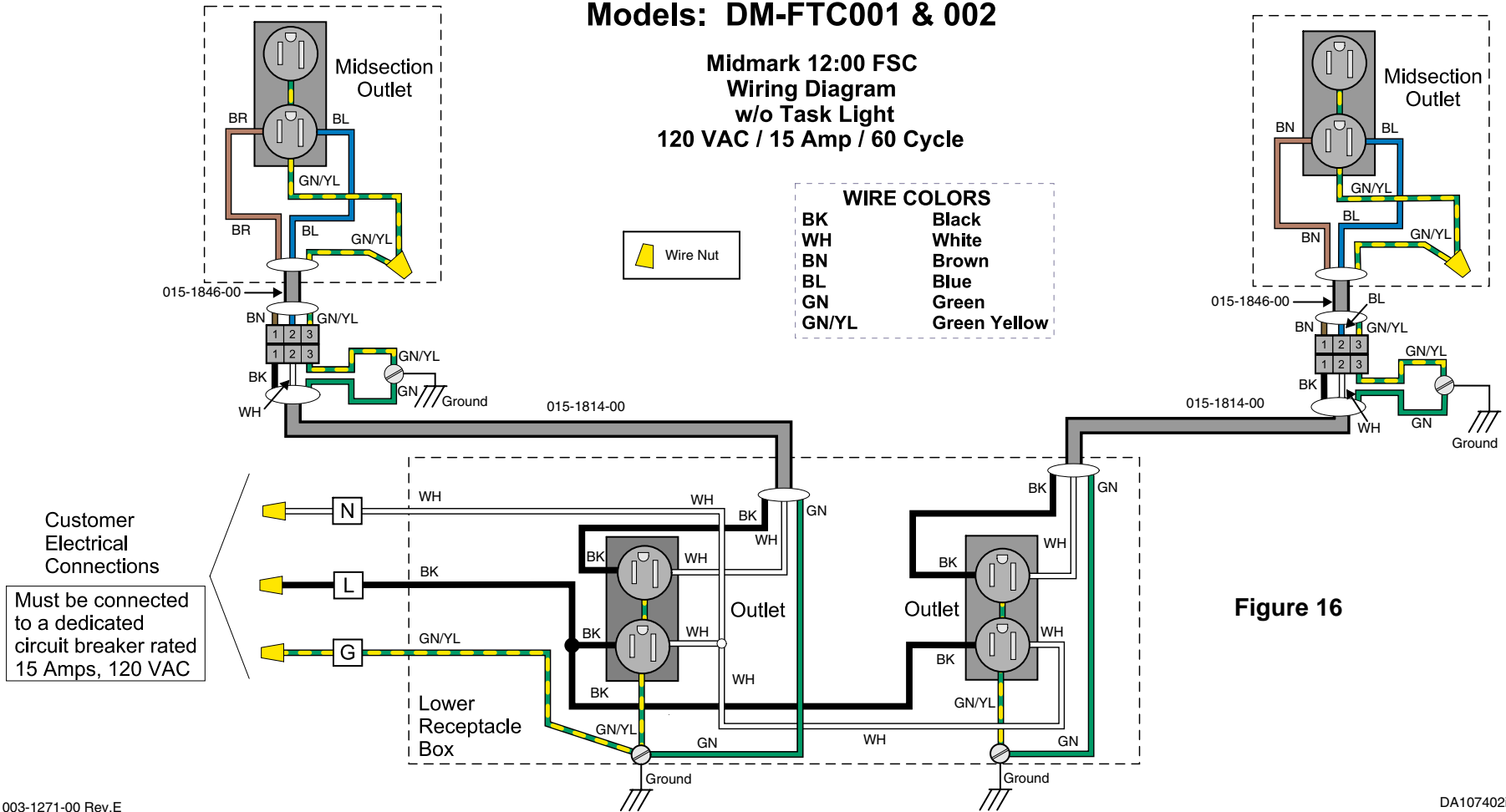
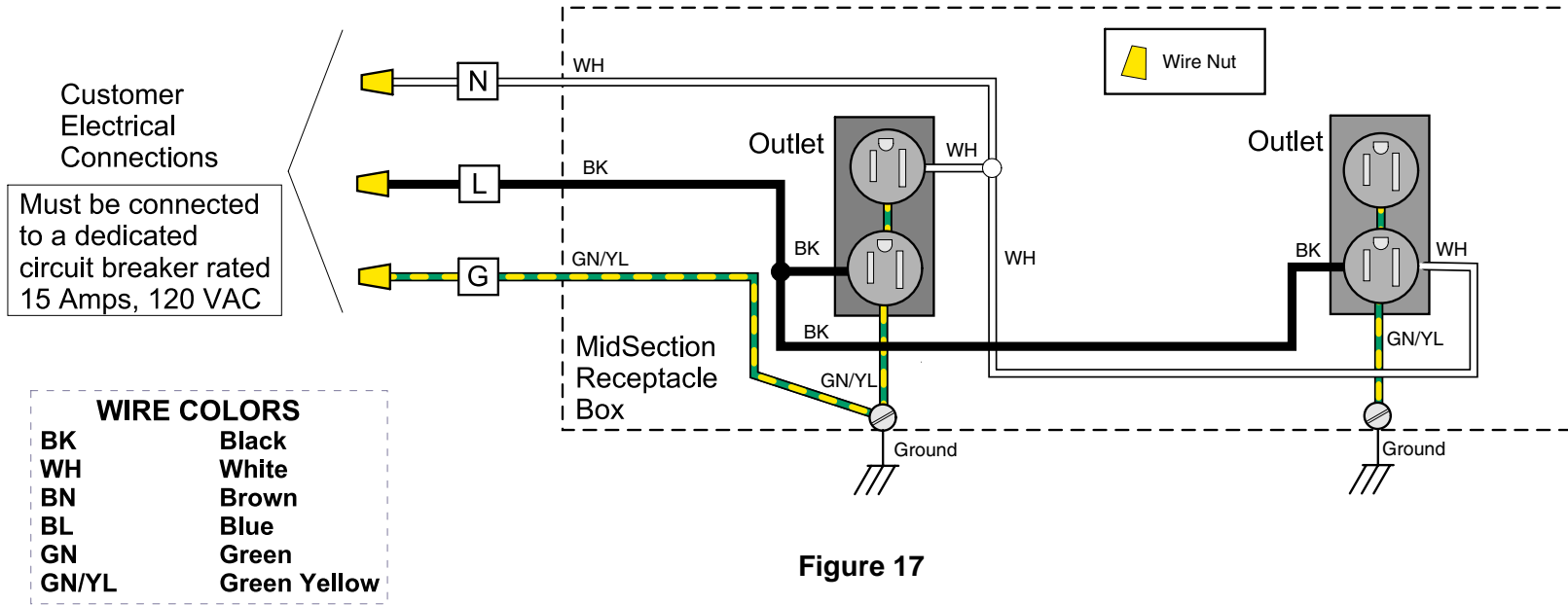


Figure 16

Models: DM-FTC003 & 004

Midmark 12:00 FSC MidSection Receptacle Box Wiring Diagram 120 VAC / 15 Amp / 60 Cycle



003-1271-00 Rev.E

DA134001i



Because we care.

Midmark Corporation
60 Vista Drive
P.O. Box 286
Versailles, Ohio 45380-0286
937-526-3662
Fax 937-526-5542
midmark.com

003-1263-00 Rev. I (2/06)