

4746-001 DIAGNOSTIC EQUIPMENT CART

INSTALLATION INSTRUCTIONS

INTRODUCTION

Provides a mobile support surface for an electrocardiograph device or other device of comparable size and weight.

Cart has a five caster base with three swivel and two locking casters.

Maximum top weight capacity is 40 lbs. (18.1 Kgs.) centered on top.

Maximum drawer weight capacity 10 lbs. (4.5 Kgs.)

Shelf provides a location to set a printer and the storage container can be used for wire management.

The Acquisition Device Holder can be mounted on either the right or left side of the cart top. It provides easy access to the Acquisition Device.

CE REPRESENTATIVE

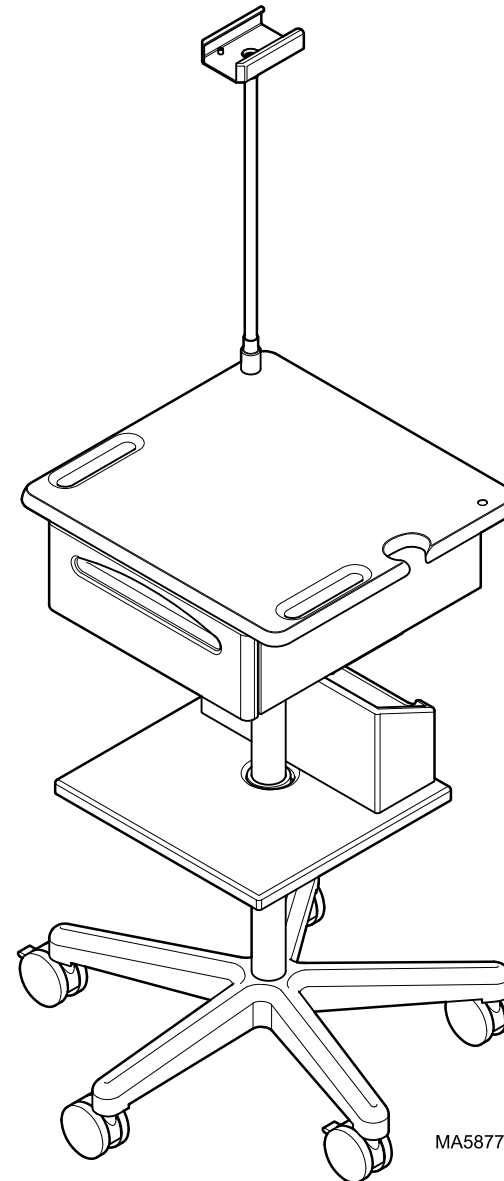
EEC countries should direct all questions, incidents, and complaints to Midmark authorized CE representative:



Promotal
22, Rue De St. Denis
53500 Ernie
France
Phone: 33-2-430-517-76
Fax: 33-2-430-569-10

RECOMMENDED TOOLS

Screwdriver, straight blade and phillips
9/16" Wrench or Socket and Ratchet



MA587701i

SHELF ASSEMBLY

NOTE

Measure height of ECG printer that is to be located on shelf.

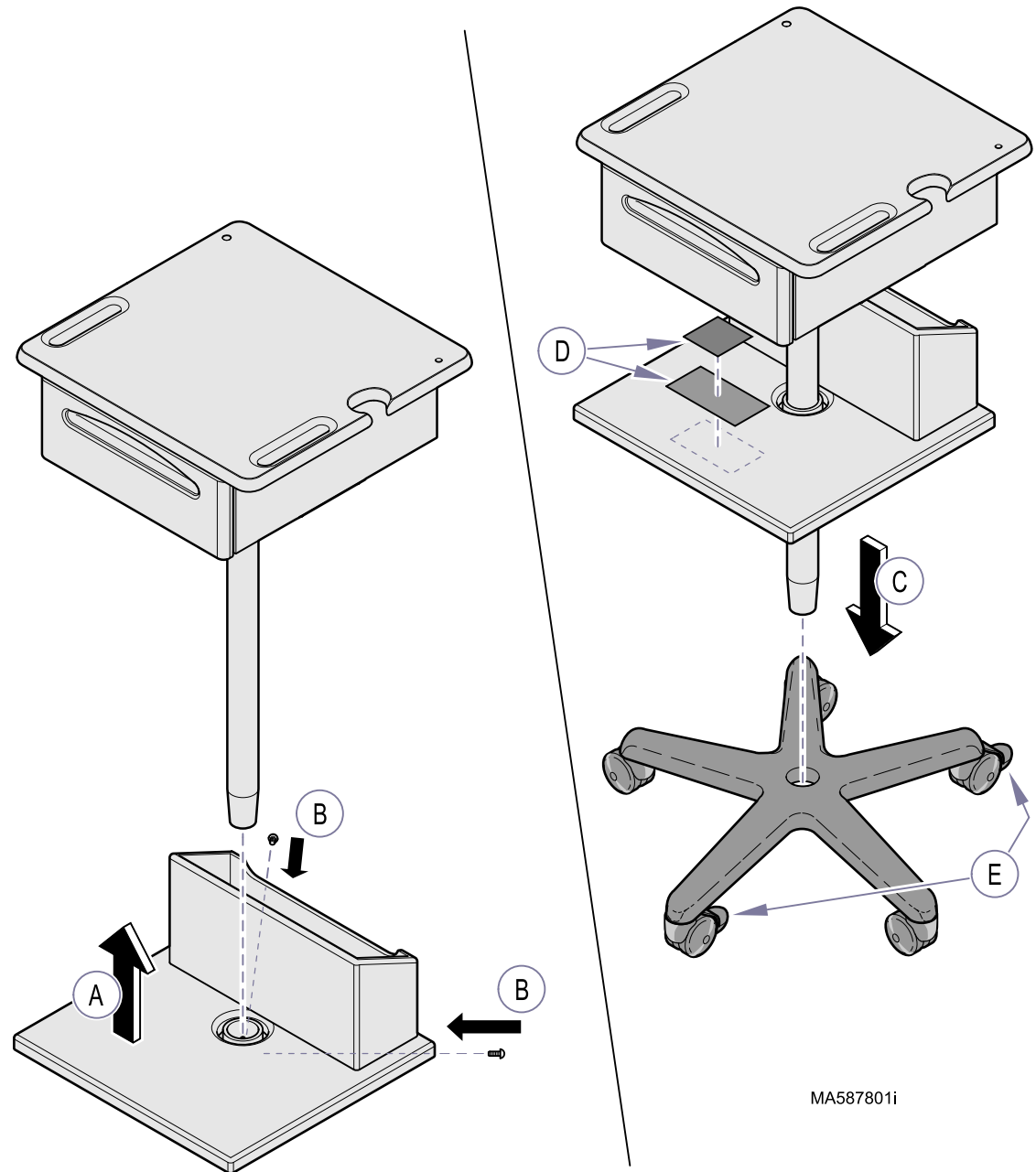
- A. Place Shelf assembly onto cart post (as shown) with storage container positioned toward back of cart.
- B. Assuring there is adequate clearance for ECG printer and access into storage container, tighten screws.
- C. Insert pedestal into caster base, pressing firmly downward.



EQUIPMENT ALERT

Adhesive backed Velcro is supplied to secure printer to shelf. Place one piece on bottom of printer and the other directly below on shelf. Failure to secure could result in printer falling from shelf during transport.

- D. Install Velcro strips to printer base and shelf.
- E. Release pedal, of two locking casters and check that unit rolls smoothly.



MA587801i

ACQUISITION HOLDER INSTALLATION

- A.** Remove the bolt and flat washer from the end of the flex arm adapter.

NOTE

The Acquisition Holder can be mounted on either the left or right, rear corner of the top surface. Holes are provided in these locations. A plug is located in one of the holes. The plug must be installed in the hole that is not being used.

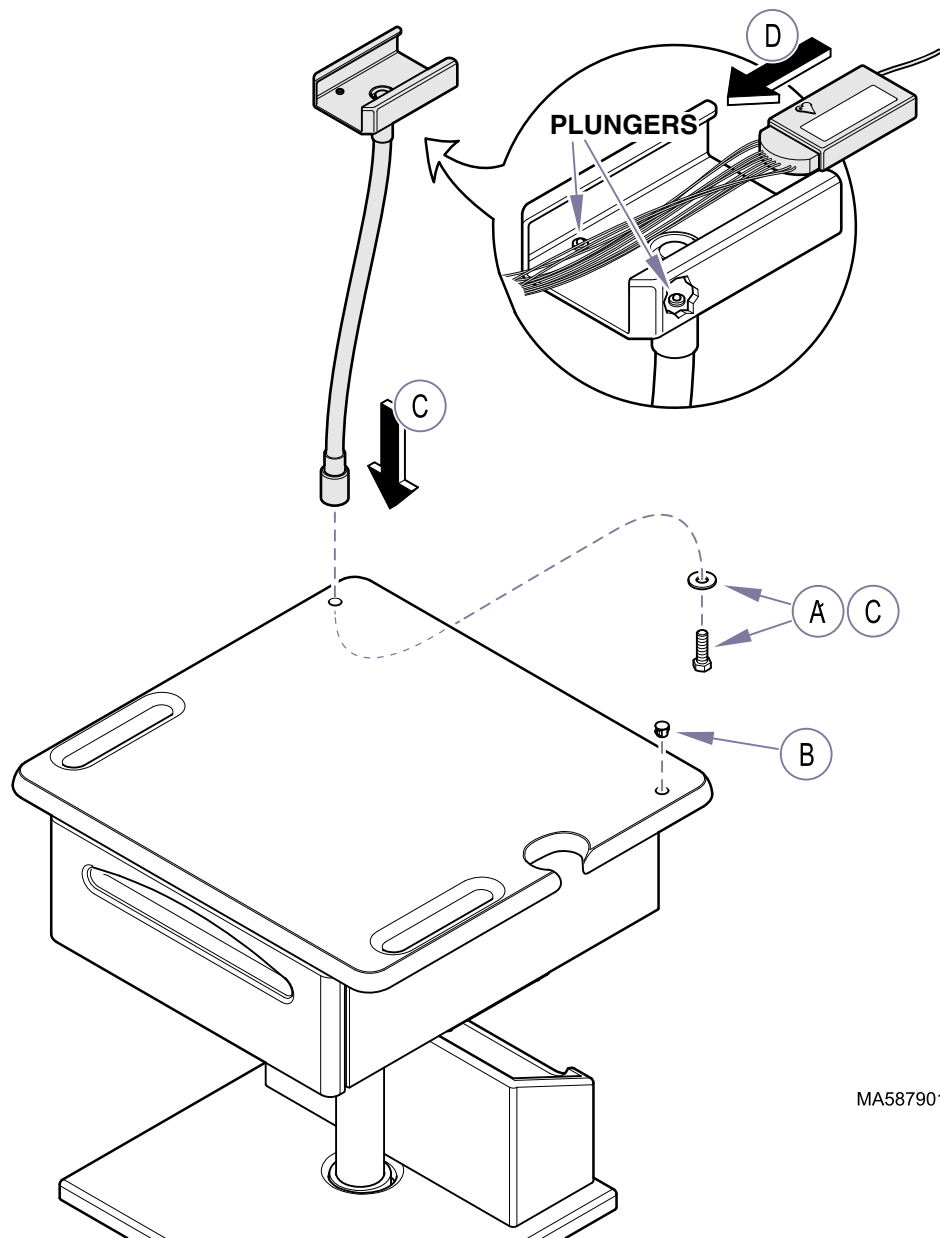
- B.** If necessary, remove the plug from the mounting hole and insert it in the mounting hole not being used.
- C.** Place the acquisition holder in position and install the flat washer, and bolt.



EQUIPMENT ALERT

Note positions of spring-loaded plungers when installing IQmark™ ECG module. Failure to properly install module in holder could result in damage to equipment.

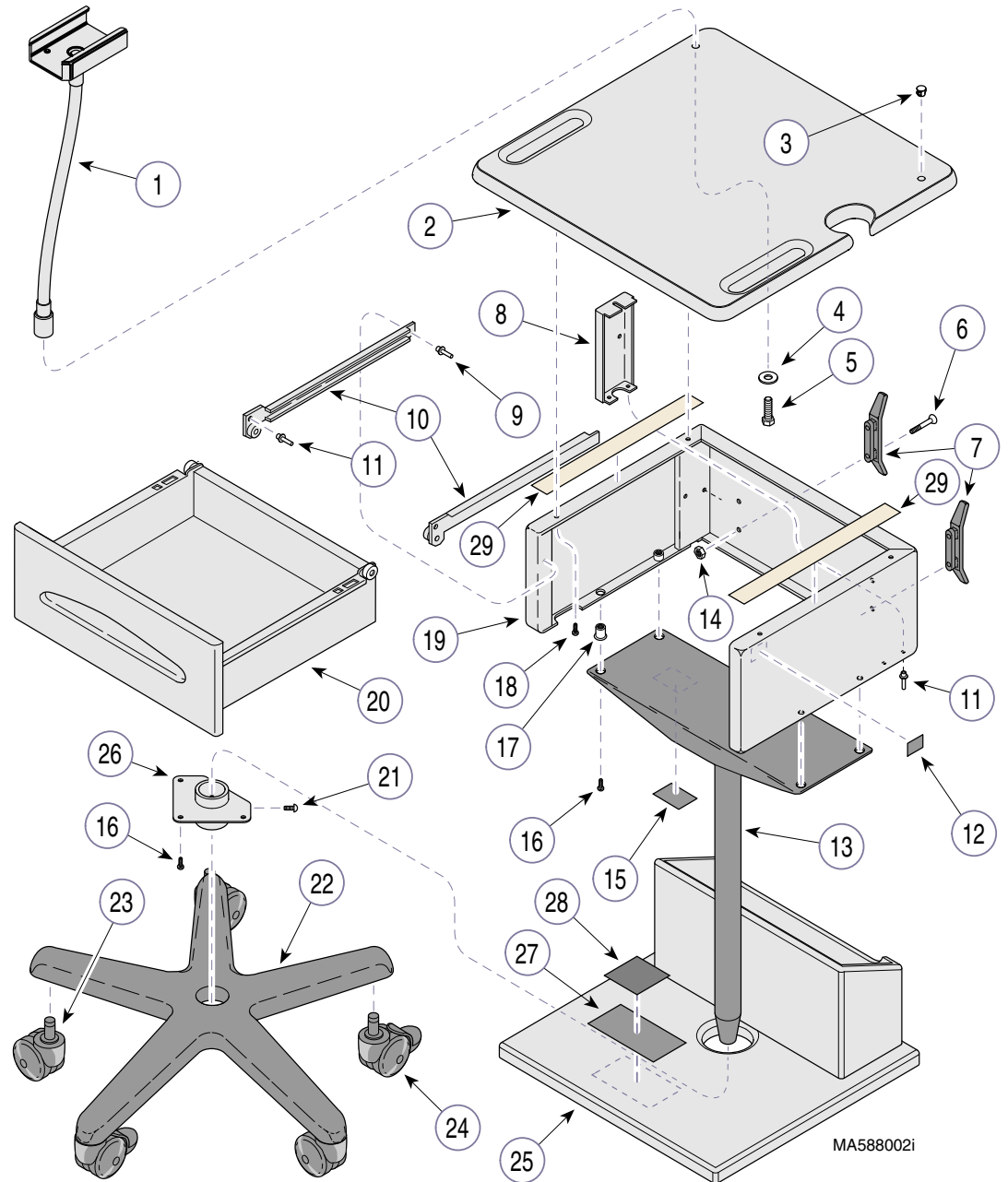
- D.** Insert the IQmark™ ECG module into the holder, as shown, to lock into position.



MA587901i

PARTS

Item	Part No.	Description	Qty.
	4746-001	ECG Cart (Includes Items 1 thru 28	1
1	• 002-1413-00	Aquisition Device Holder (Includes all Hardware)	1
2	• 063-9973-00	ECG Cart Top	1
3	• 053-0050-14	Hole Plug	1
4	• 045-0001-01	Washer	1
5	• 040-0375-02	Bolt	1
6	• 040-0008-100	Screw	4
7	• 016-0864-00	Rope Cleat.....	2
8	• 050-4795-50	Slide Support.....	2
9	• 042-0010-27	Pop Rivet	2
10	• 016-0813-04	Drawer Slide / Runner Set	1
11	• 042-0010-04	Pop Rivet	6
12	• 061-0759-02	Midmark Label	1
13	• 030-1278-00	Column Post Weldment	1
14	• 041-0008-02	Nut	4
15	•	Serial Number Label.....	1
16	• 040-0250-88	Screw	7
17	• 042-0045-06	Nutsert.....	4
18	• 040-0010-48	Screw.....	4
19	• 050-4889-50	Drawer Cover.....	1
20	• 029-2534-00	Drawer Assembly.....	1
21	• 040-0250-48	Screw	2
22	• 016-0681-00	Base	1
23	• 016-0884-00	Caster	3
24	• 016-0883-00	Brake Caster.....	2
25	• 029-2851-00	Shelf / Basket	1
26	• 030-1304-00	Weldment, Shelf Mount	1
27	• 053-0105-14	Velcro, loop (2" x 4")	1
28	• 053-0131-00	Velcro, hook (2" x 2")	1
29	• 042-0075-01	Adhesive Tape	AR



MIDMARK®

Midmark Corporation, Versailles, Ohio 45380 U.S.A.
 (937) 526-3662 FAX (937) 526-5542