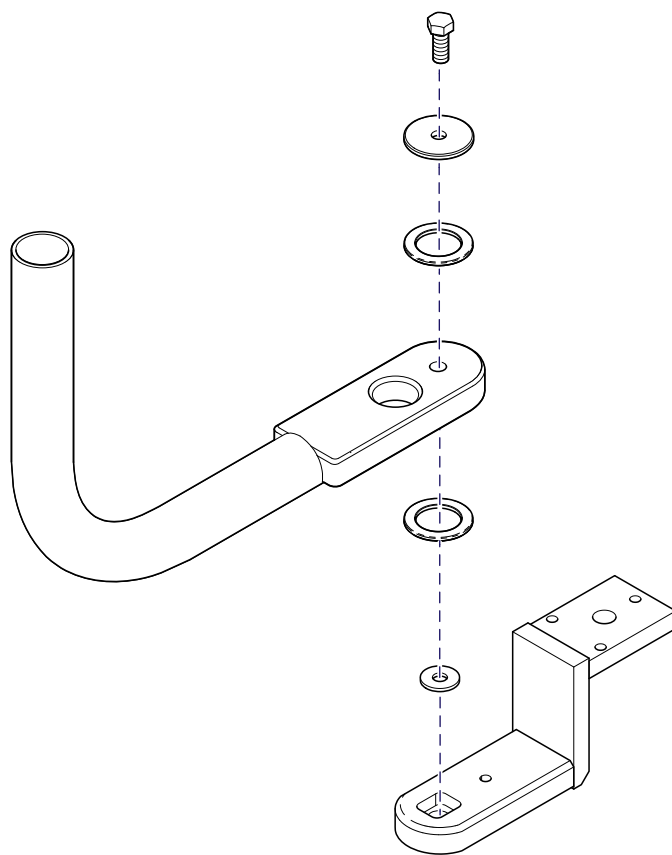


Knight LR Chair Mount Installation Guide [Knight Chairs]

- (1)** Position lower components as shown (Figure 1) on LR mounting bracket.
- (2)** Position LR lower arm and upper components as shown then secure with bolt.



DA4482i

Figure 1. LR Lower Arm Installation [Knight chairs]

L/R ADAPTER

- (3)** Position chair bracket (1, Figure 2) and install two screws (2).
- (4)** Position LR adapter (3) on chair bracket (1) and install bolt (4) and washer (5).
Do not tighten bolt (4) at this time.
- (5)** Place a level on LR adapter (3); then adjust three leveling screws (6) until level.
- (6)** Tighten bolt (4) and check for level again. Loosen bolt and repeat step 3 if necessary.
- (7)** Install cover (7) and secure with four screws (8).

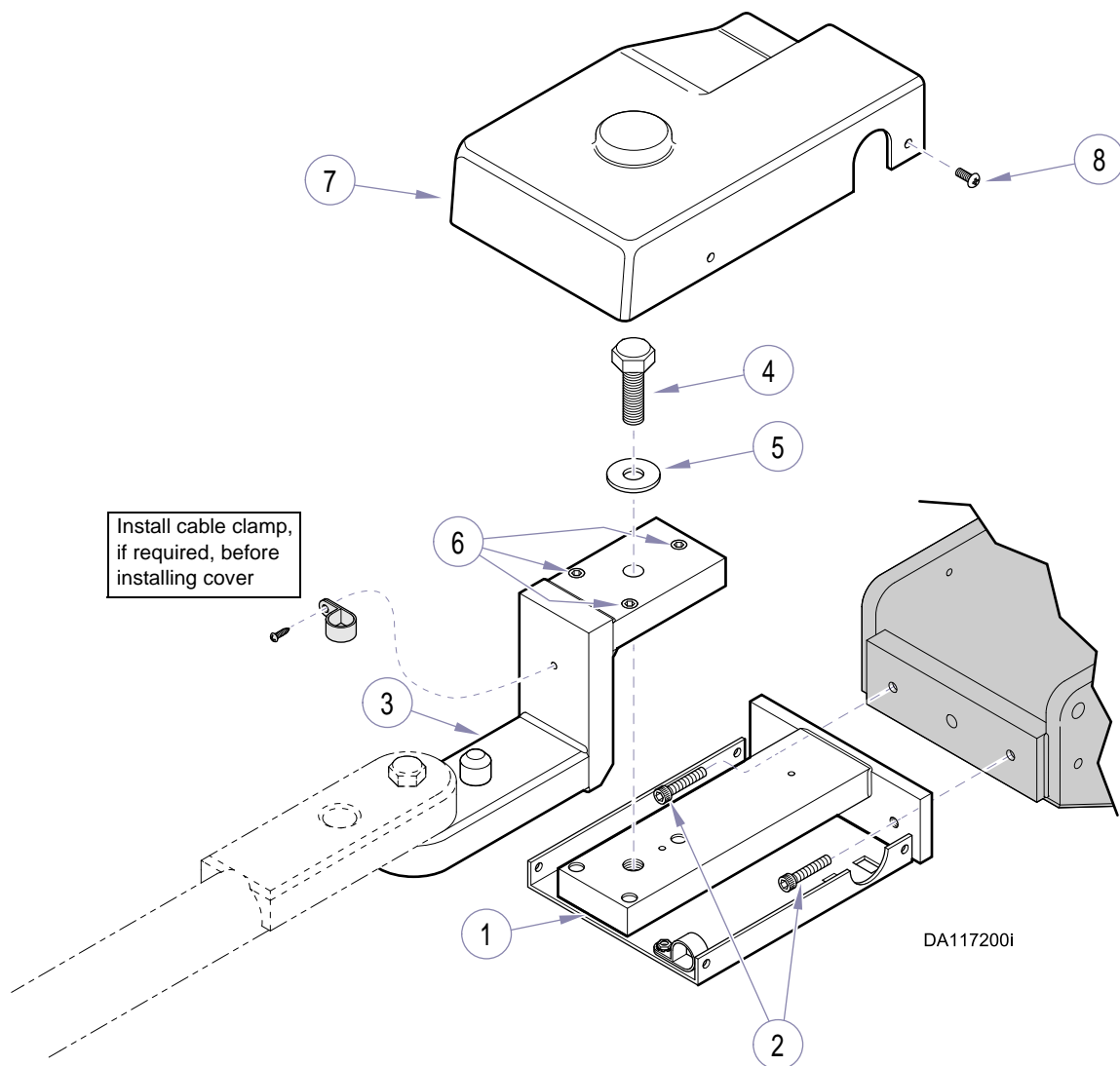


Figure 2. LR Chair Mount Installation [Knight chairs]