



002-0723-00
Floor Bracket and Cord Kit for
Free Standing Center Console

INSTALLATION
INSTRUCTIONS

Kit Components

<u>Part Number</u>	<u>Description</u>	<u>Qty</u>
002-0723-00	Base Floor Brace & Cord Kit	
• 050-5632-50	Foot Bracket.....	2
• 015-1597-00	Power Cord (6ft. [1.8 m])	1
• 102980	Connector	1
• 003-1327-00	Installations Instructions.	1

Installation (Floor Braces)

NOTE

Save "L" brackets and bolts for later installation. Use bolts for installing Floor Braces.

- A. Remove End Panel.
- B. Remove 1/2" threaded bolts from "L" bracket.
- C. Remove hex bolts and then remove "L" bracket.
- D. Place Floor Brace in position on bottom of Center Console and secure with bolts removed from "L" bracket (5/16"-18 x 1" hex head bolts).

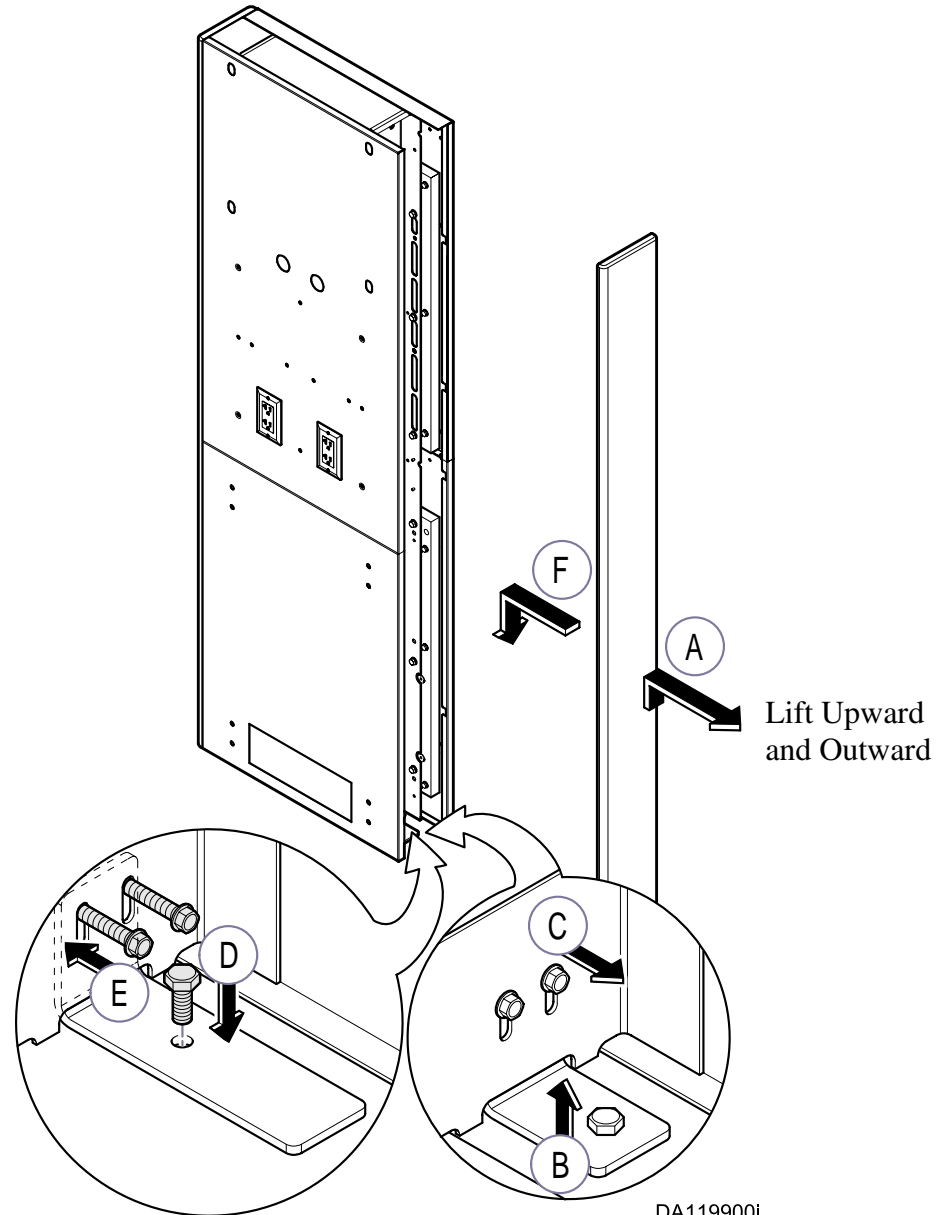
NOTE

1/2" hex head, threaded bolts (D) are used to align Center Column to Sink and Equipment bases when installing mounting screws.

- E. Install 1/2"-13 x 2" bolt in Floor Brace.
- F. Install End Panel.

NOTE

Install Floor Brace on other end of Center Console using same procedures. After Equipment and Sink bases have been installed and leveled remove 1/2" hex head bolt from each Floor Brace and save for later use.





Installation (Power Cord)

- A. Remove knock-out on lower receptacle box and install connector.



EQUIPMENT ALERT

Assure electrical leads from power cord are connected correctly to leads provided at lower receptacle box.

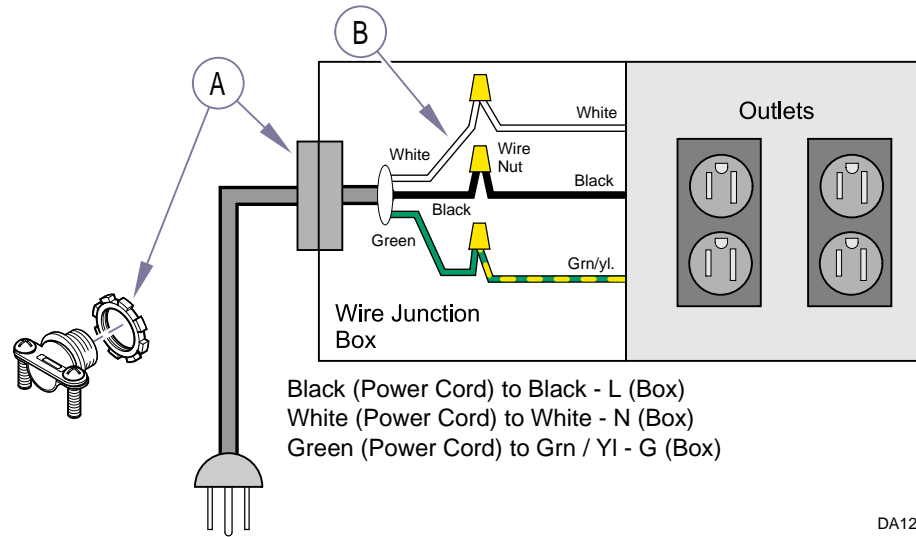
- B. Insert power cord thru connector, connect power cord leads to leads provided at lower receptacle box, then tighten connector onto cord:



EQUIPMENT ALERT

Assure power cord is not pinched when routing to outside of base cabinet. This is for temporary installation only.

Power Cord (For Temporary Installation Only)



DA120300i

Electrical Junction Box located in bottom of Sink Base

Midmark Corporation
60 Vista Drive
P.O. Box 286
Versailles, Ohio 45380-0286
937-526-3662
Fax 937-526-5542
midmark.com