



# Knee Crutches / Articulating Knee Crutches [9A319 / 9A320 / 9A352 / 9A353 / 9A361 / 9A362]

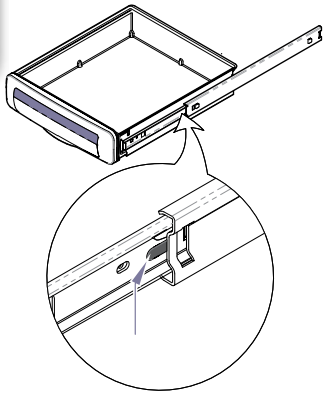
**Contents:**  
 Installation ..... 1  
 Exploded Views ..... 3

**Special Tools:**  
 Power Drill  
 7/16" Drill Bit

**Intended Use:**  
 To support patient's legs during examination.

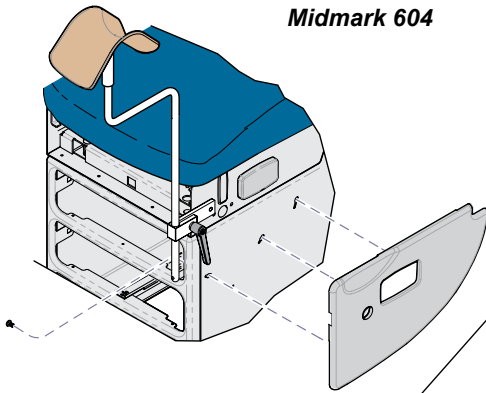
**Requirements / Restrictions:**  
 Midmark models require a special cladding kit to accommodate the knee crutch brackets. Refer to Midmark pricing catalog to determine proper kit.

**Step 1: Remove side cladding.**  
 Note: Models without side cladding, go to step 2.



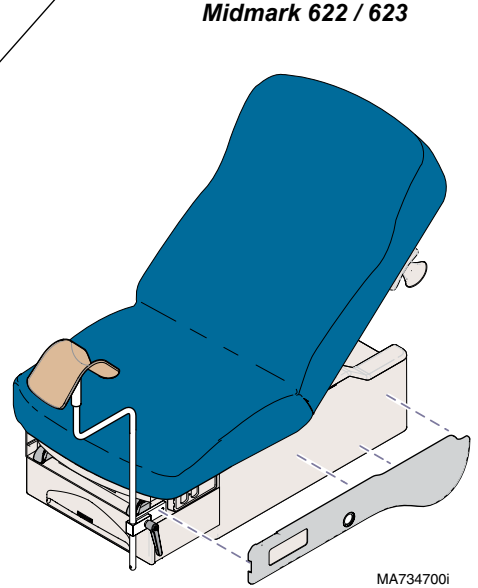
To remove top drawer, pull drawer out, then:  
 Press tab on RH slide down.  
 Press tab on LH slide up.

604 shrouds are secured with screws from inside cabinet.



Midmark 604

622 / 623 shrouds are magnetic. Pull outward to remove.



Midmark 622 / 623

MA734700i

**Note**

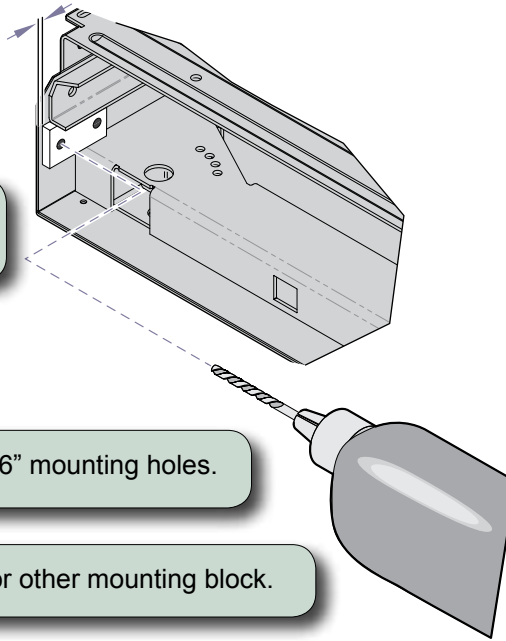
Tables ordered with "factory installed" knee crutches will have holes pre-drilled. Go to Step 5.

**Step 2:** Position mounting block as shown. Mark mounting holes.

**Step 3:** Drill two 7/16" mounting holes.

**Step 4:** Repeat steps 2 & 3 for other mounting block.

1/16 in.  
(1.5 mm)

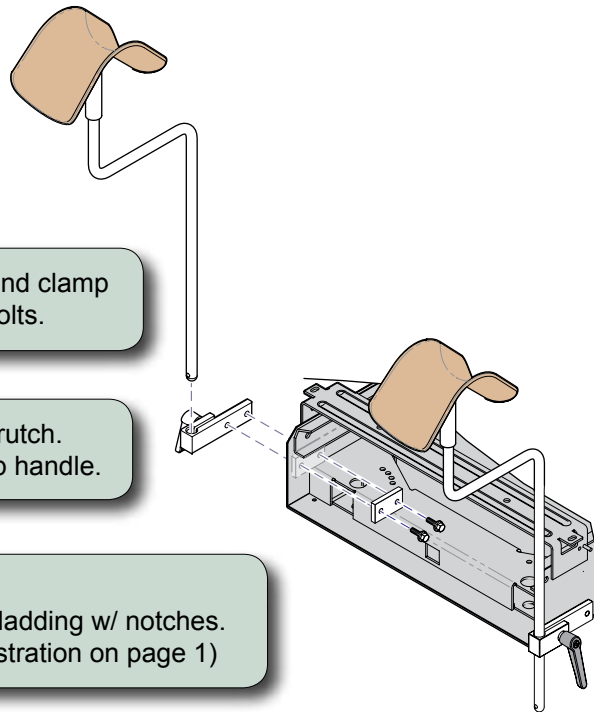


**Step 5:** Secure mounting block and clamp assembly with two hex bolts.

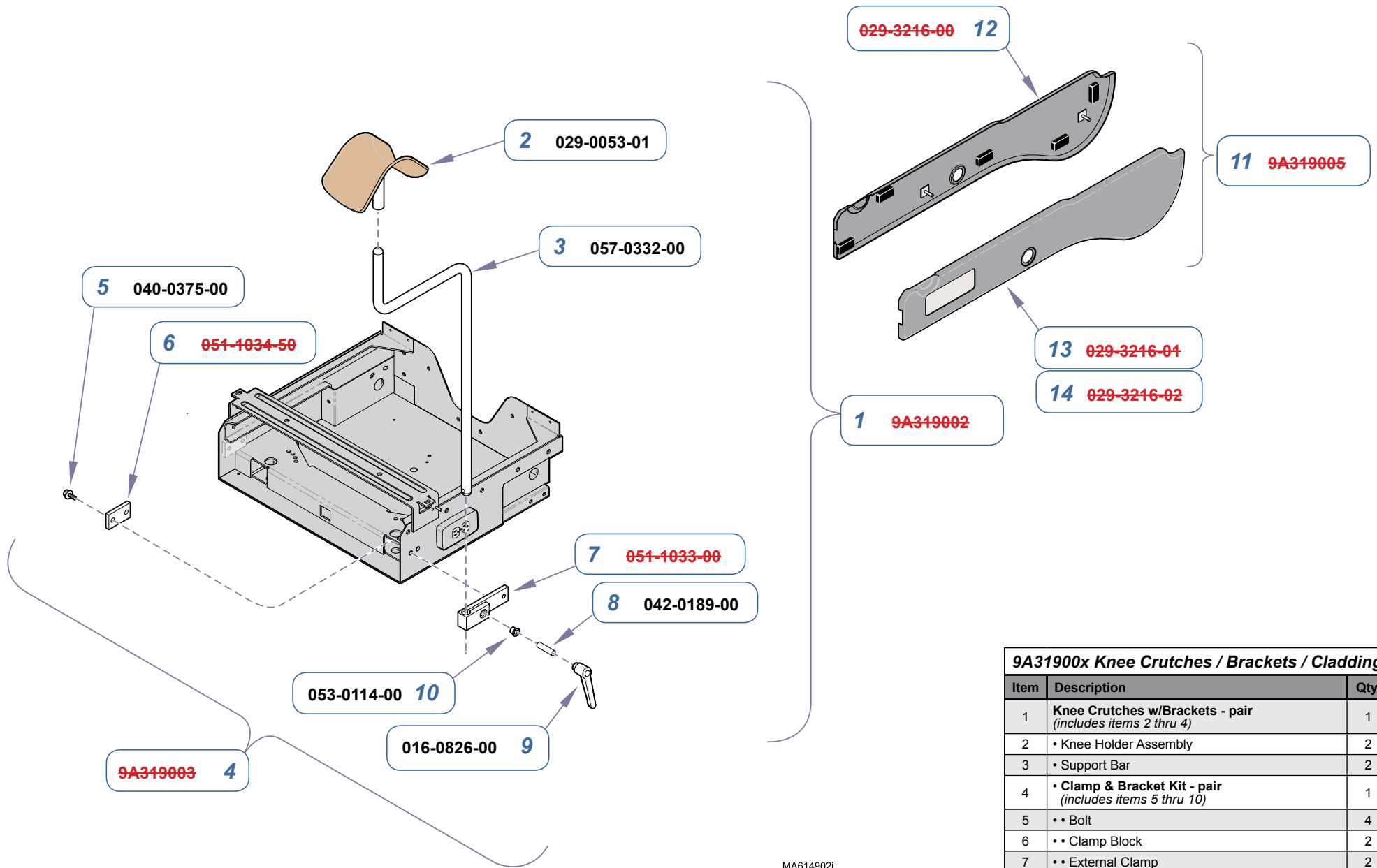
**Step 6:** Install knee crutch. Tighten clamp handle.

Midmark Models Only

**Step 7:** Install side cladding w/ notches. (Refer to illustration on page 1)



MA734700i

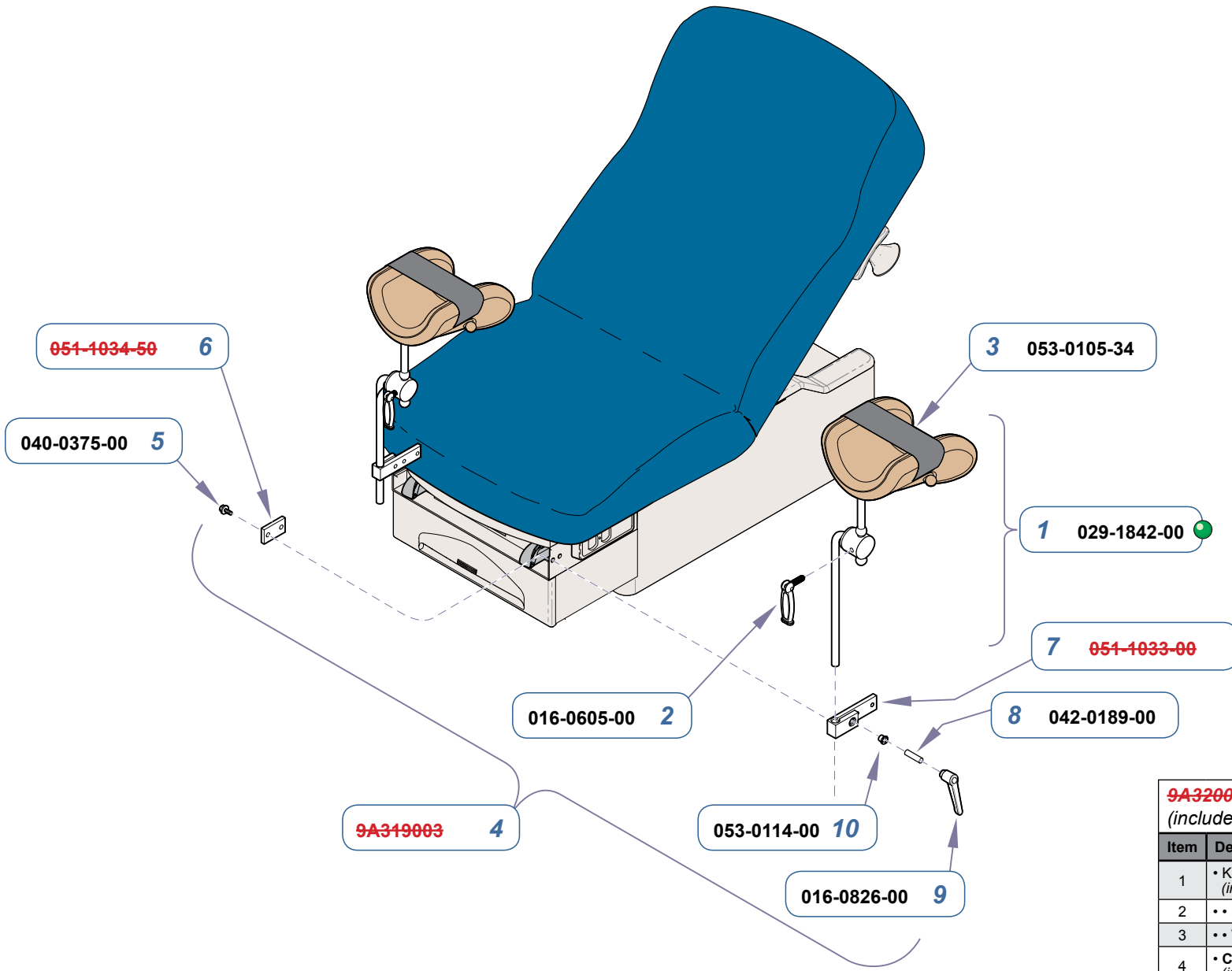


MA614902i

**9A31900x Knee Crutches / Brackets / Cladding**

Item	Description	Qty.
1	Knee Crutches w/Brackets - pair <i>(includes items 2 thru 4)</i>	1
2	• Knee Holder Assembly	2
3	• Support Bar	2
4	• Clamp & Bracket Kit - pair <i>(includes items 5 thru 10)</i>	1
5	• • Bolt	4
6	• • Clamp Block	2
7	• • External Clamp	2
8	• • Milled Stud	2
9	• • Adjustable Handle	2
10	• • Flange Bearing	2
11	<b>622 / 623 Knee Crutch Cladding Kit</b> <i>(includes items 12 &amp; 13)</i>	1
12	• RH Cladding	1
13	• LH Cladding - w/ receptacle cutout	1
14	LH Cladding - no receptacle cutout <i>(not shown)</i> <i>not included w/ item 11</i>	1

**Serial Numbers / Dates:** all

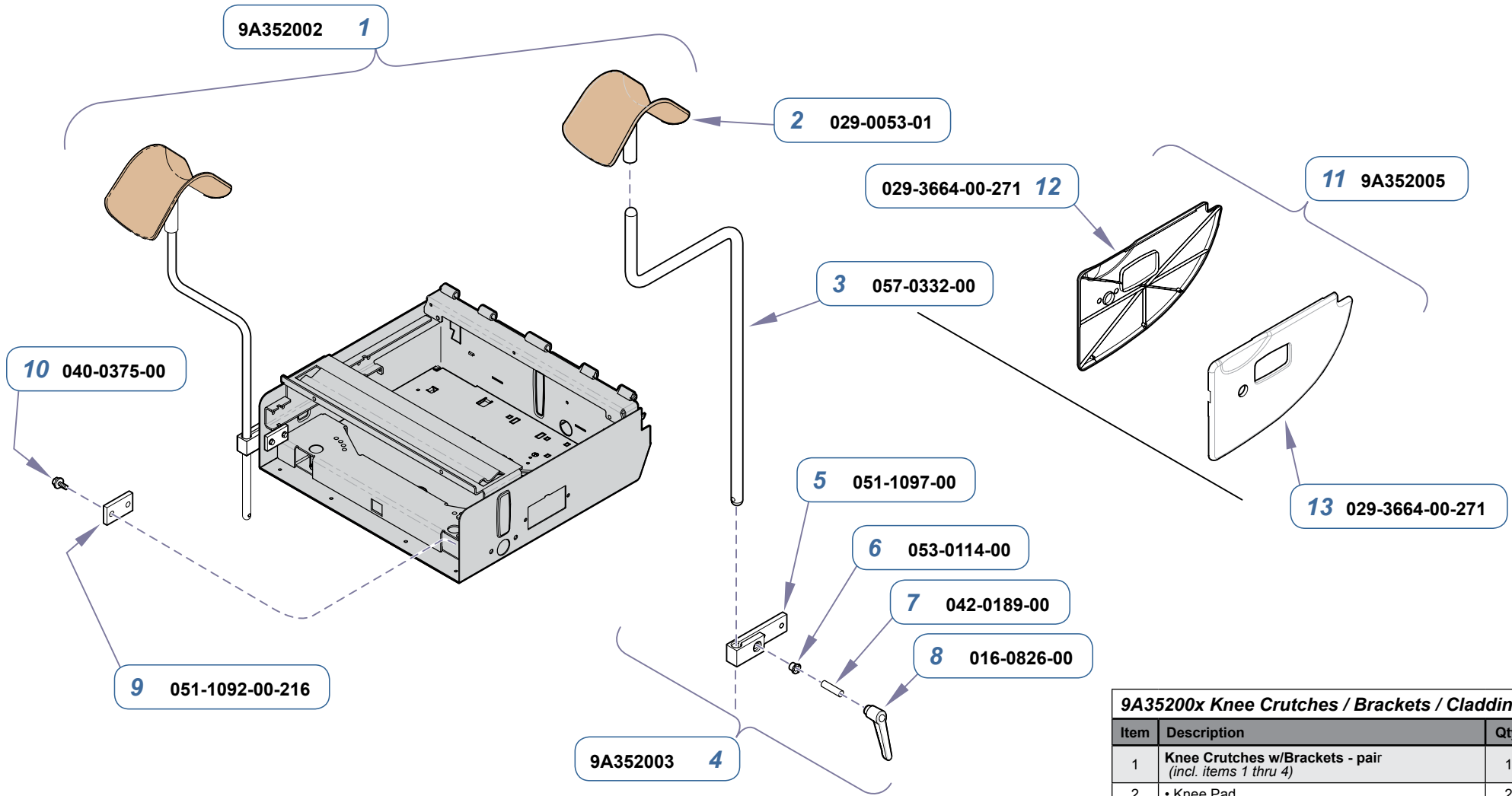


MA618201i

**9A320004 Articulating Knee Crutch Assembly**  
(includes items 1 thru 4)

Item	Description	Qty.
1	• Knee Crutch Assembly - pair (includes items 2 & 3)	1
2	•• Handle	2
3	•• Velcro Strap	2
4	• Clamp & Bracket Kit - pair (includes items 5 thru 10)	1
5	•• Bolt	4
6	•• Clamp Mount	2
7	•• External Clamp Bracket	2
8	•• Milled Stud	2
9	•• Adjustable handle	2
10	•• Flange Bearing	2

**Serial Numbers / Dates:** all

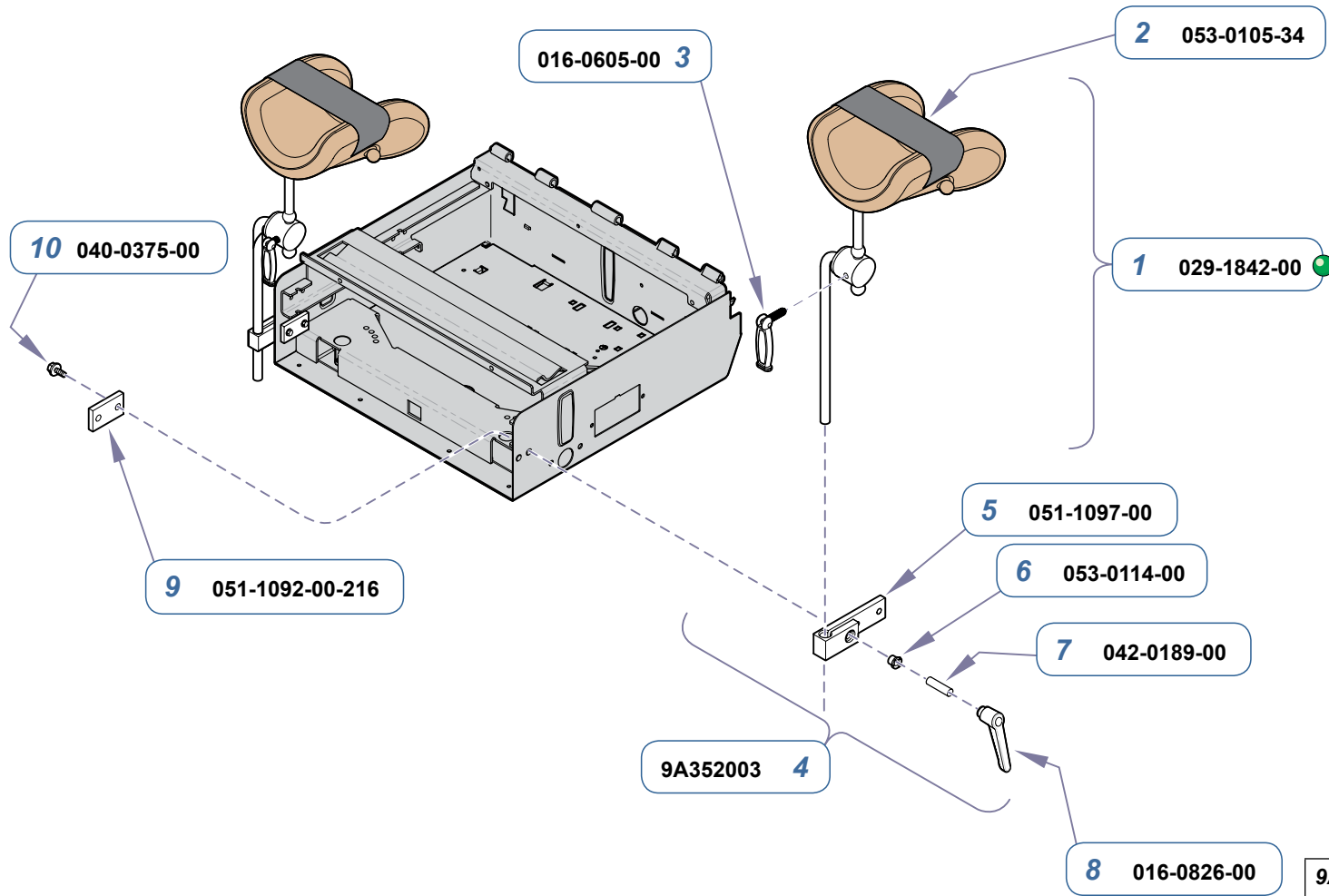


MA708700i

**9A35200x Knee Crutches / Brackets / Cladding**

Item	Description	Qty.
1	<b>Knee Crutches w/Brackets - pair</b> <i>(incl. items 1 thru 4)</i>	1
2	• Knee Pad	2
3	• Support Bar	2
4	<b>• Clamp &amp; Bracket Kit - pair</b> <i>(includes items 5 thru 10)</i>	1
5	•• External Clamp	2
6	•• Flange Bearing	2
7	•• Milled Stud	2
8	•• Adjustable Handle	2
9	•• Bolt	4
10	•• Clamp Block	2
11	<b>604 Cladding Kit - pair</b> <i>(incl. items 12 &amp; 13)</i>	1
12	• RH Cladding w/cutout	1
13	• LH Cladding w/cutout	1

**Serial Numbers / Dates:** all

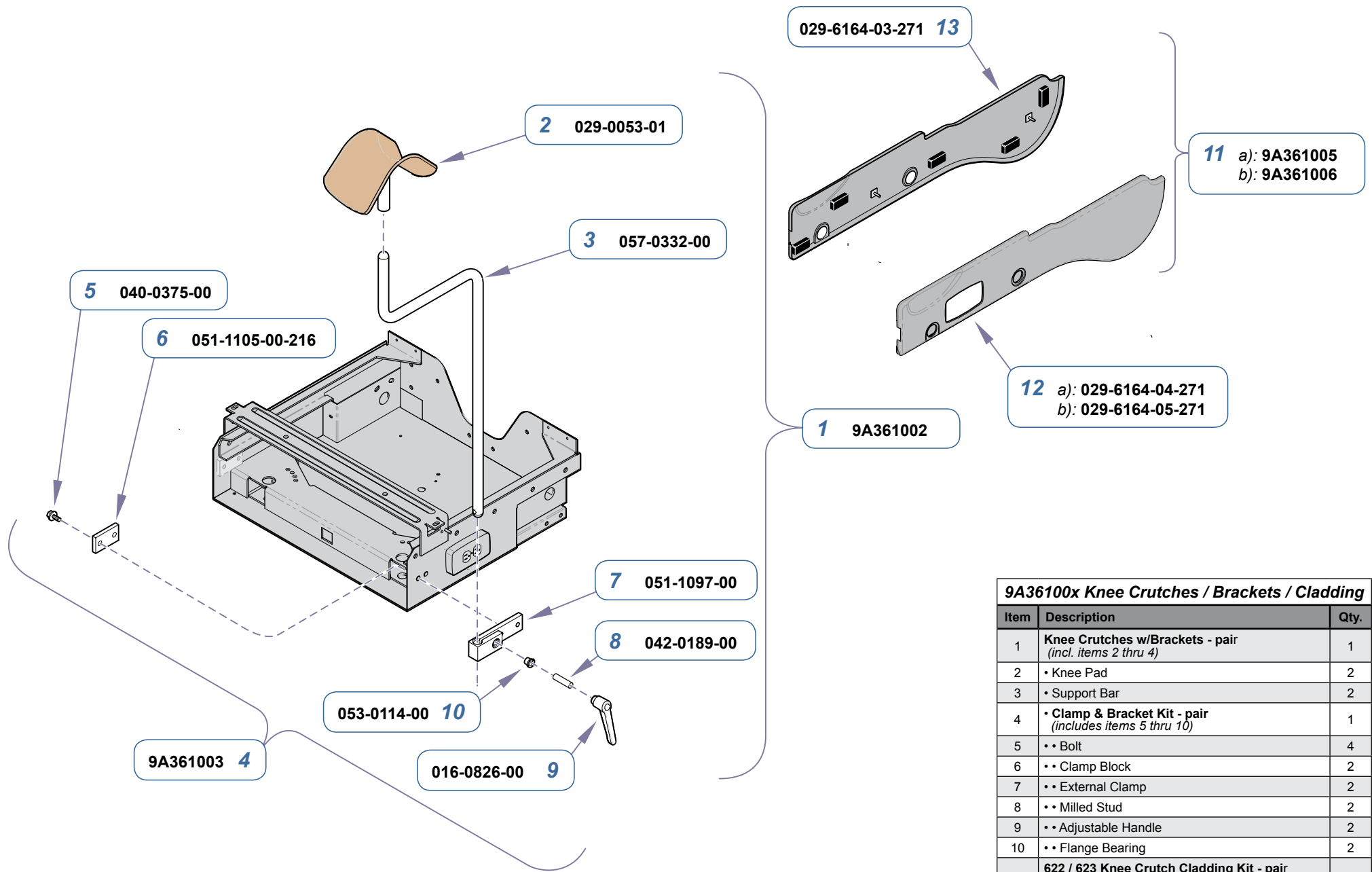


MA708800i

9A353001 Articulating Knee Crutches w/Brackets (includes items 1 thru 4)		
Item	Description	Qty.
1	• Art. Knee Crutches - pair (incl. items 2 & 3)	1
2	• • Velcro Strap	2
3	• • Handle	2
4	• • Clamp & Bracket Kit - pair (includes items 5 thru 10)	1
5	• • Knee Crutch External Clamp	2
6	• • Flange Bearing	2
7	• • Milled Stud	2
8	• • Adjustable Handle	2
9	• • Clamp Block	2
10	• • Bolt	4

Serial Numbers / Dates:

all

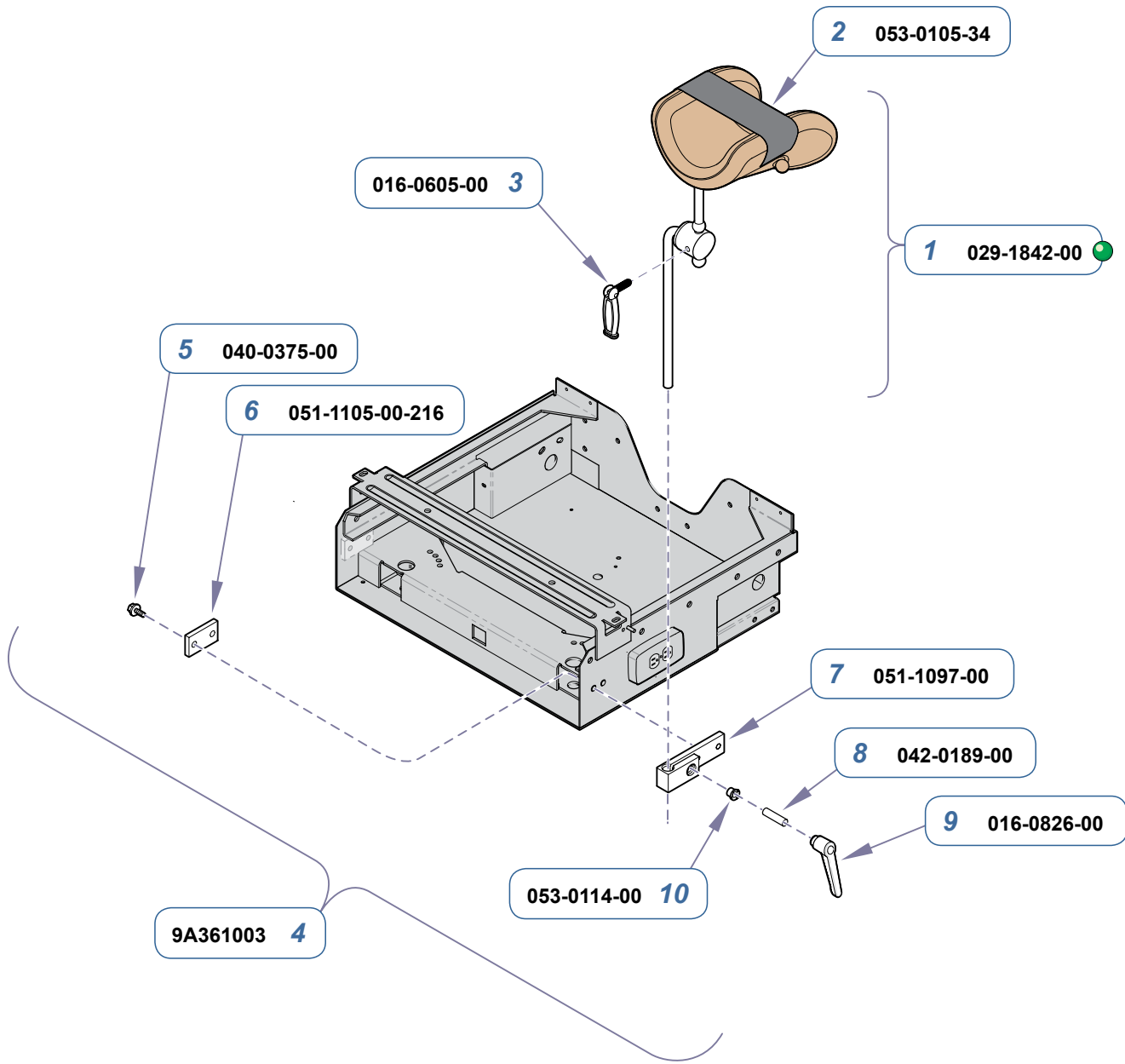


MA7349001

**9A36100x Knee Crutches / Brackets / Cladding**

Item	Description	Qty.
1	Knee Crutches w/Brackets - pair <i>(incl. items 2 thru 4)</i>	1
2	• Knee Pad	2
3	• Support Bar	2
4	• Clamp & Bracket Kit - pair <i>(includes items 5 thru 10)</i>	1
5	•• Bolt	4
6	•• Clamp Block	2
7	•• External Clamp	2
8	•• Milled Stud	2
9	•• Adjustable Handle	2
10	•• Flange Bearing	2
11	<b>622 / 623 Knee Crutch Cladding Kit - pair</b> <i>(includes items 12 &amp; 13)</i> a): w/ receptacle cutout on LH cover b): no receptacle cutout	1
12	• LH Cladding a): w/ receptacle cutout (shown) b): no receptacle cutout	1
13	• RH Cladding	1

**Serial Numbers / Dates:** all



**9A362001 Articulating Knee Crutches** ●  
**w/Brackets (includes items 1 thru 4)**

Item	Description	Qty.
1	• Art. Knee Crutches - pair (incl. items 2 & 3)	1
2	•• Velcro Strap	2
3	•• Handle	2
4	• Clamp & Bracket Kit - pair (includes items 5 thru 10)	1
5	•• Bolt	4
6	•• Clamp Block	2
7	•• External Clamp	2
8	•• Milled Stud	2
9	•• Adjustable Handle	2
10	•• Flange Bearing	2

**Serial Numbers / Dates:** all