




External Condensing Tank [9A260]

Contents:
 Tank Installation..... 1
 Exploded Views..... 4
 Language of origin: English

Intended Use
 To provide an external reservoir for venting M9/M11 series sterilizers when the operator does not wish to recirculate water used in sterilization process.


Important Operator Information

Inform the operator of the following, and show them the label on the external condensing tank:

 **WARNING**
 Operating the sterilizer when water level in the external condensing tank is above maximum level mark on the tank, may cause excessive steam and/or water to be expelled. Personal exposure to such conditions could result in severe burns.

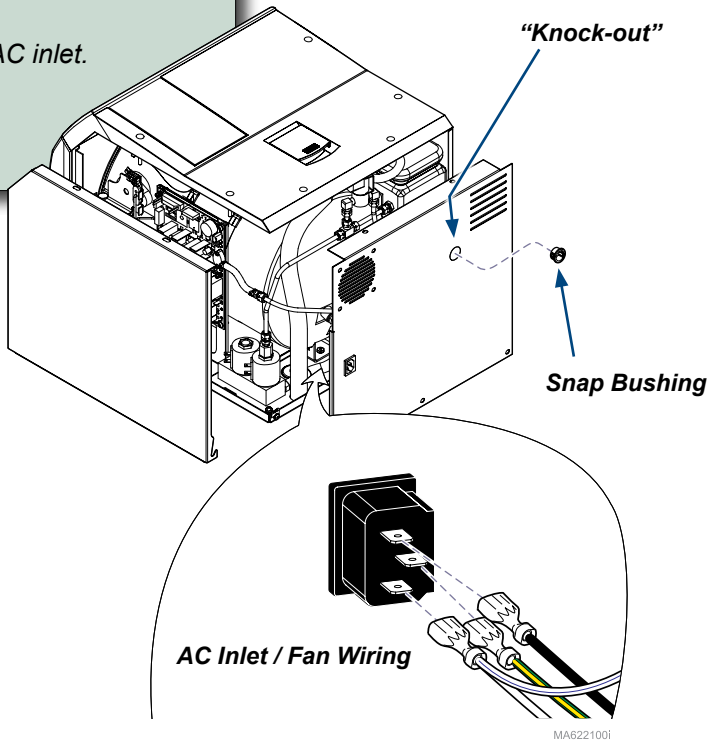
1. Always position external tank below level of sterilizer, in an upright position, and in a well ventilated area away from items which may be affected by moisture.
2. Always maintain a water level above the minimum water level line on tank.
3. When water level in tank reaches upper (maximum) level, allow tank to cool, then empty tank to minimum level before continuing operation.

Tank Installation

 **WARNING**
 Disconnect all electrical power to the unit, and allow it to cool before removing any of the unit's covers or making any repairs. Failure to comply with these instructions could result in serious personal injury.

Step 1: Remove Covers / Disconnect Fan

- A) Unplug sterilizer power cord.
- B) Remove RH side panel.
- C) Tag / disconnect fan wiring from AC inlet.
- D) Remove back panel.
- E) Remove "knock-out".
- F) Install snap bushing.



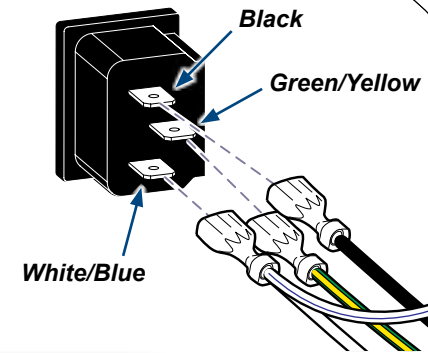
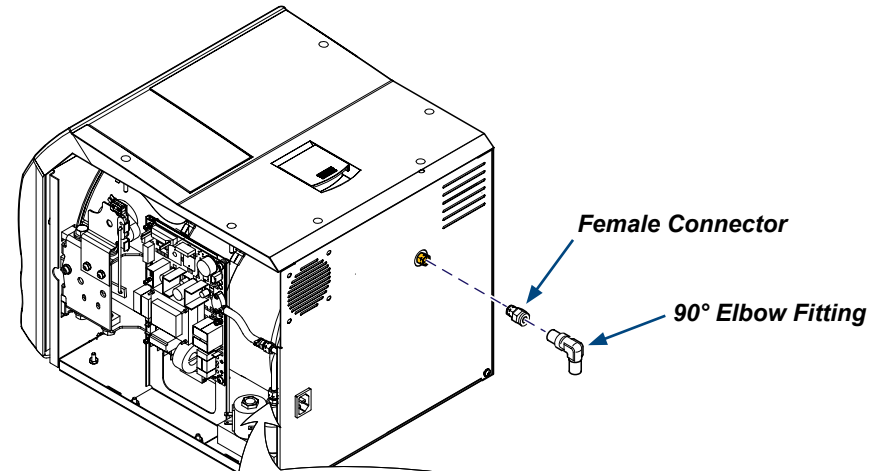
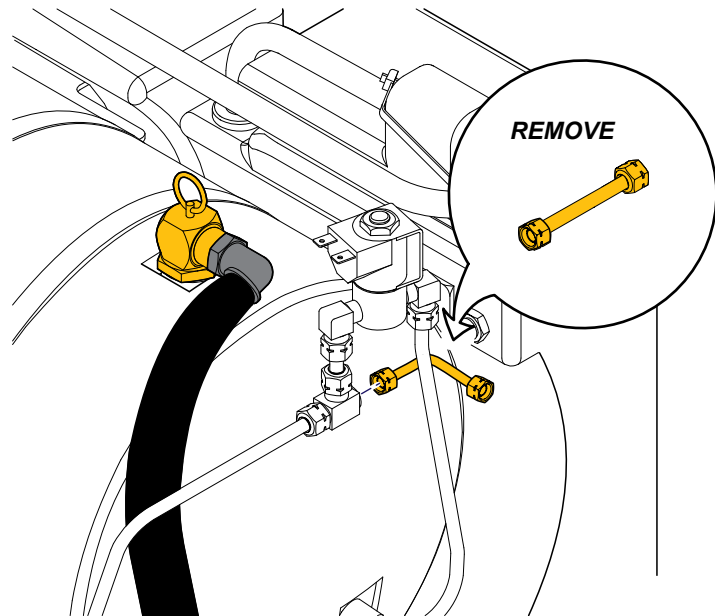
TP200 Rev. A

Tank Installation - continued

Step 2: Install Plumbing / Back Panel

- A) Remove tube connecting internal reservoir.
- B) Install 90° tubing as shown.
- C) Install back panel. (see Note)
- D) Install female connector and 90° elbow fitting.

Note: End of 90° tubing must protrude into the snap bushing in back panel.



MA8634i

Step 3: Connect Fan Wiring

- A) Connect fan wiring to AC inlet.

Tank Installation - continued



WARNING

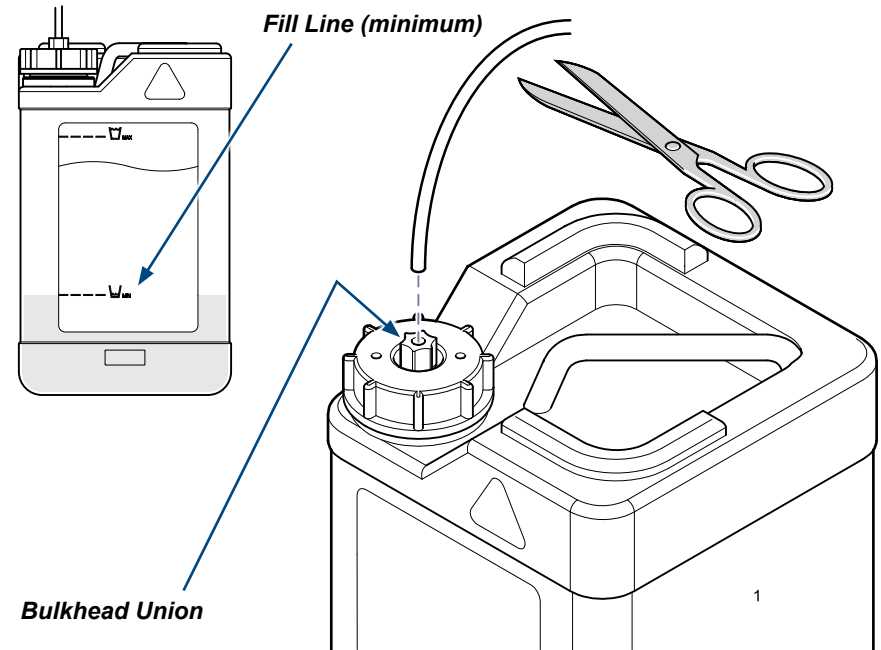
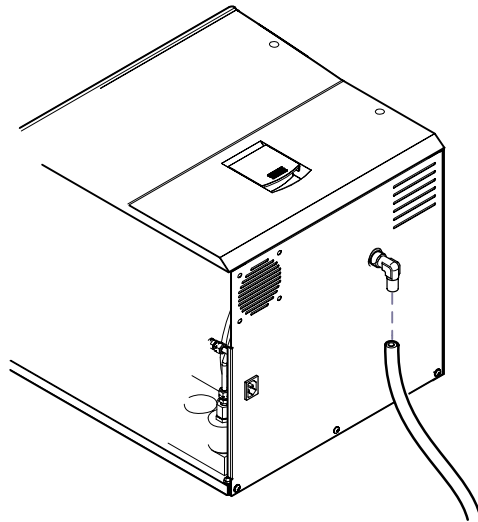
External condensing tank must be located in a well ventilated area away from items which are affected by moisture. Residual steam will be expelled from breather holes in top cap of tank during venting operation.



Equipment Alert

External condensing tank must be placed below the level of the sterilizer in an upright position.

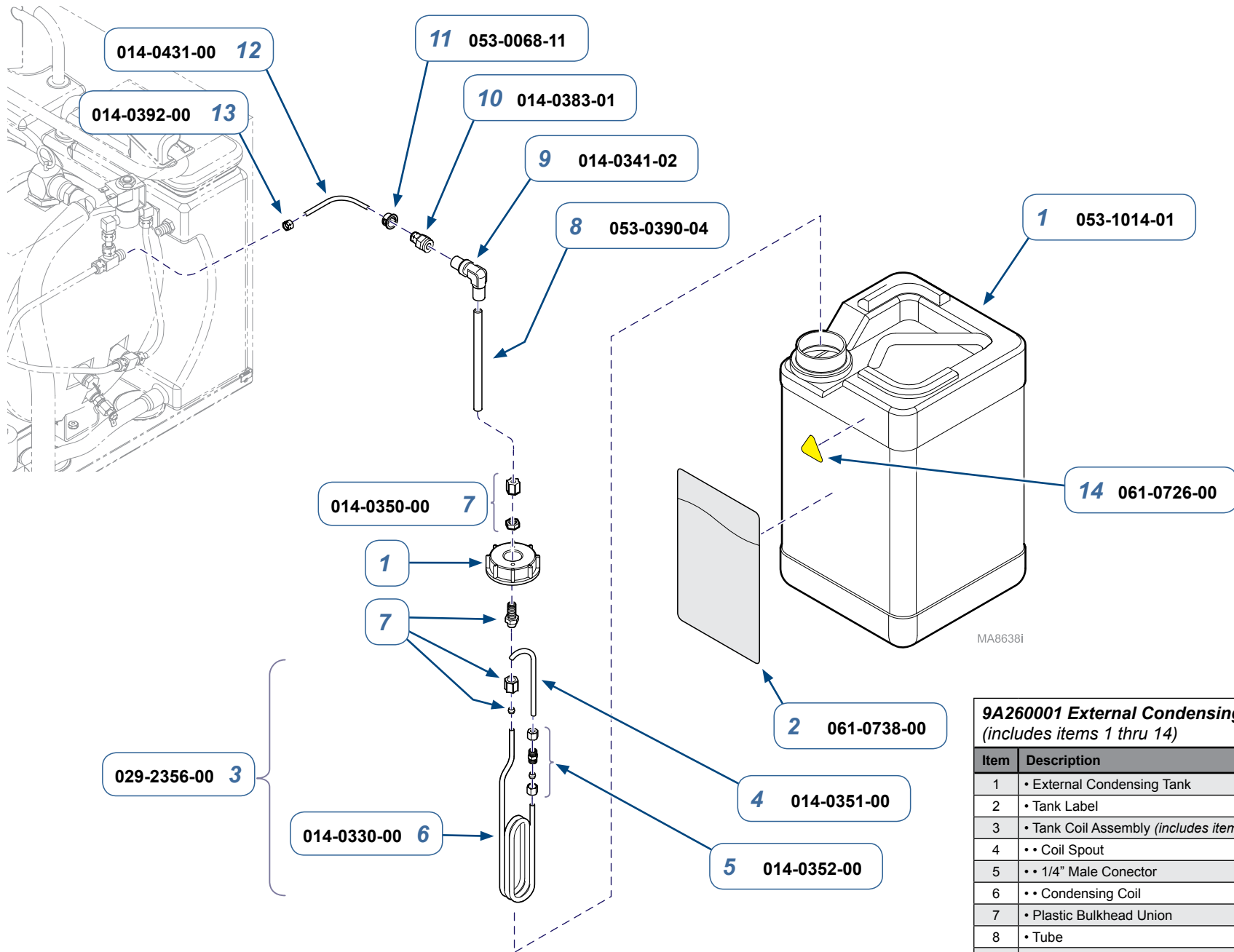
Assure tubing from sterilizer to external condensing tank is not kinked or restricted. If necessary, cut tubing to shorten. (Straight cuts will prevent leakage).



MA622401i

Step 4: Position / Connect External Tank

- Position tank appropriately.
- Insert one end of teflon tubing into 90° elbow fitting.
- If necessary, cut tubing to required length to reach from sterilizer to external tank.
- Remove cap from external tank and fill to minimum level with water.
- Loosen bulkhead union, insert tubing until it bottoms in union.
- Hold tubing while hand-tightening union until tight.
- Run cycle while checking for leaks.
- Install RH side panel / secure with screws.
(Back lip of side panel must be outside of the back panel).



9A260001 External Condensing Tank
(includes items 1 thru 14)

Item	Description	Qty.
1	• External Condensing Tank	1
2	• Tank Label	1
3	• Tank Coil Assembly (includes items 4 thru 6)	1
4	• • Coil Spout	1
5	• • 1/4" Male Conector	1
6	• • Condensing Coil	1
7	• Plastic Bulkhead Union	1
8	• Tube	5 ft
9	• 90° Elbow Fitting	1
10	• Female Connector	1
11	• Snap Bushing	1
12	• Tubing	1
13	• Compression Sleeve	1
14	• Hot Surface Label	1

Serial Numbers / Dates:

For steriizers with the following s/n prefixes:
LT/LV/RN/RP/RR/RS/RT/RV/RW/RX/RY/RZ/V