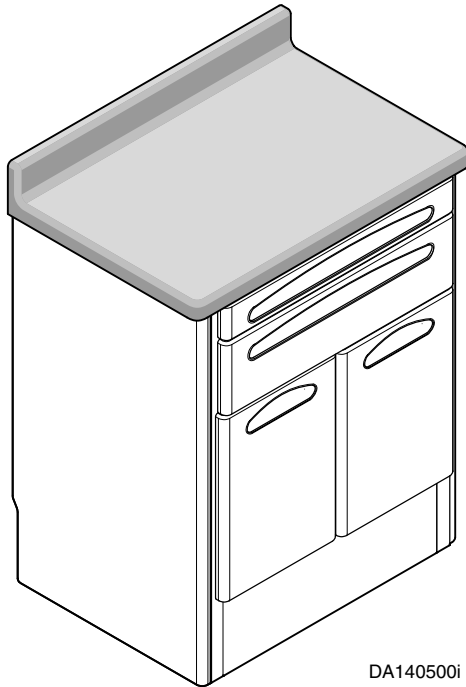


# 12" / 21" / 24" Side Storage Unit Installation



## Special Tools

Level  
1/4" deep well socket



DA140500i

DM-OSC024-007 (Shown)

## Models:

- DM-OSC012-00X (12" Storage Side Unit)
- DM-OSC021-0XX (21" Storage Side Unit)
- DM-OSC024-0XX (24" Storage Side Unit)

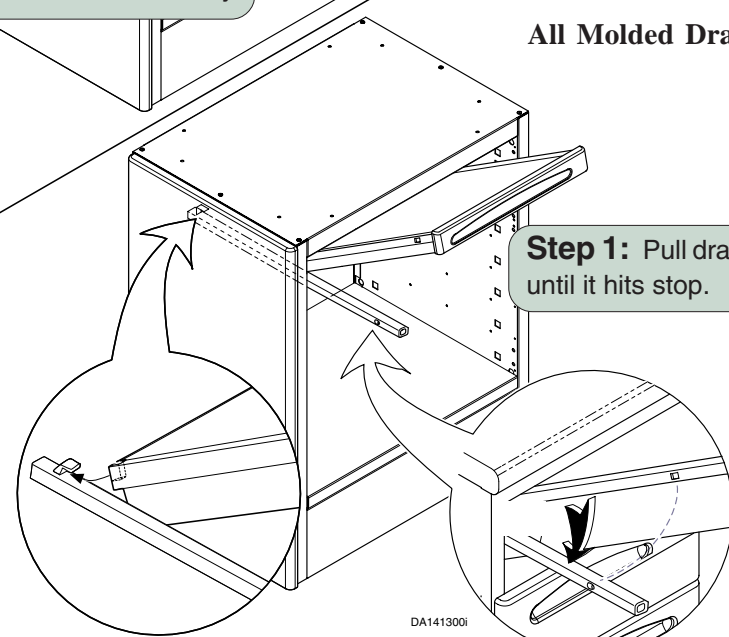
## DRAWER REMOVAL (If Required for Access)

2" Metal Frame Drawers  
or  
Writing Surface Assembly

**Step 1:** Lift or push down release levers (one per side) and slide out drawer assembly

All Molded Drawers

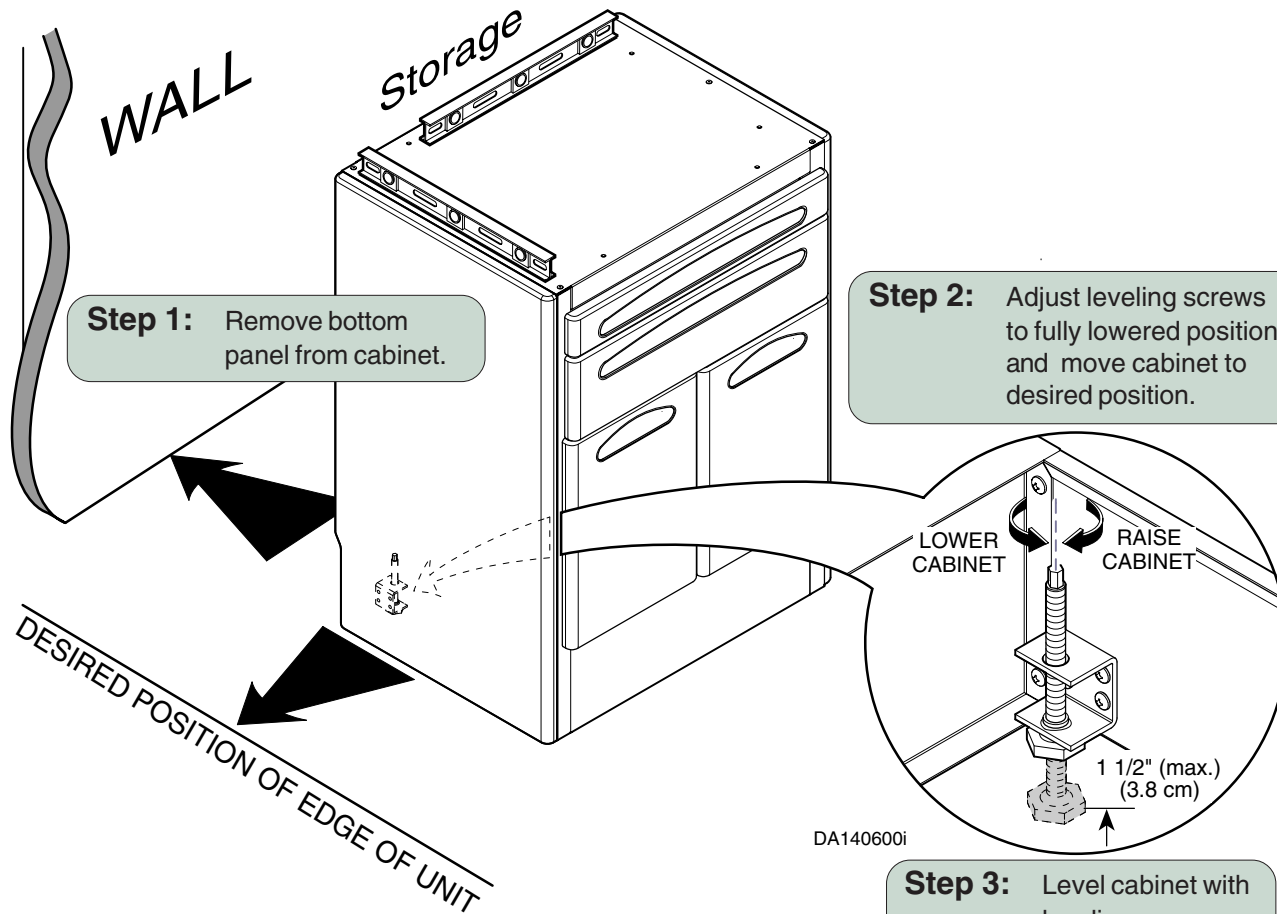
**Step 1:** Pull drawer outward until it hits stop.



DA141300i

**Step 2:** Pull sides of drawer outward while lifting to free back of drawer from hooks and remove.

# POSITIONING & LEVELING



**Equipment Alert**  
Do not adjust leveling screws more than 1 1/2" (3.8 cm) to prevent loss of stability.

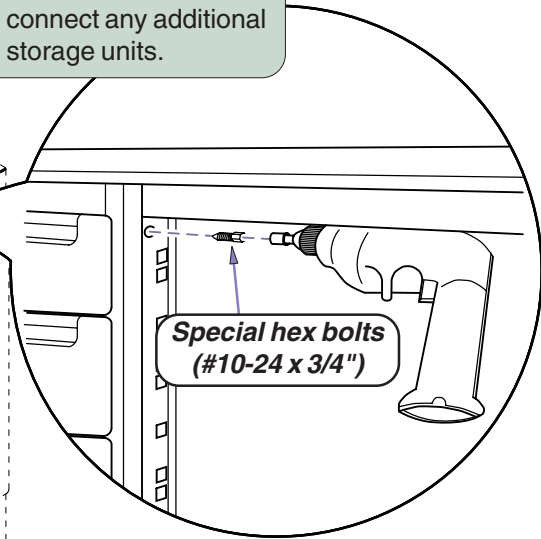
## CONNECTING ADDITIONAL UNITS

**NOTE:**

*If necessary, sand countertop to form to wall.*

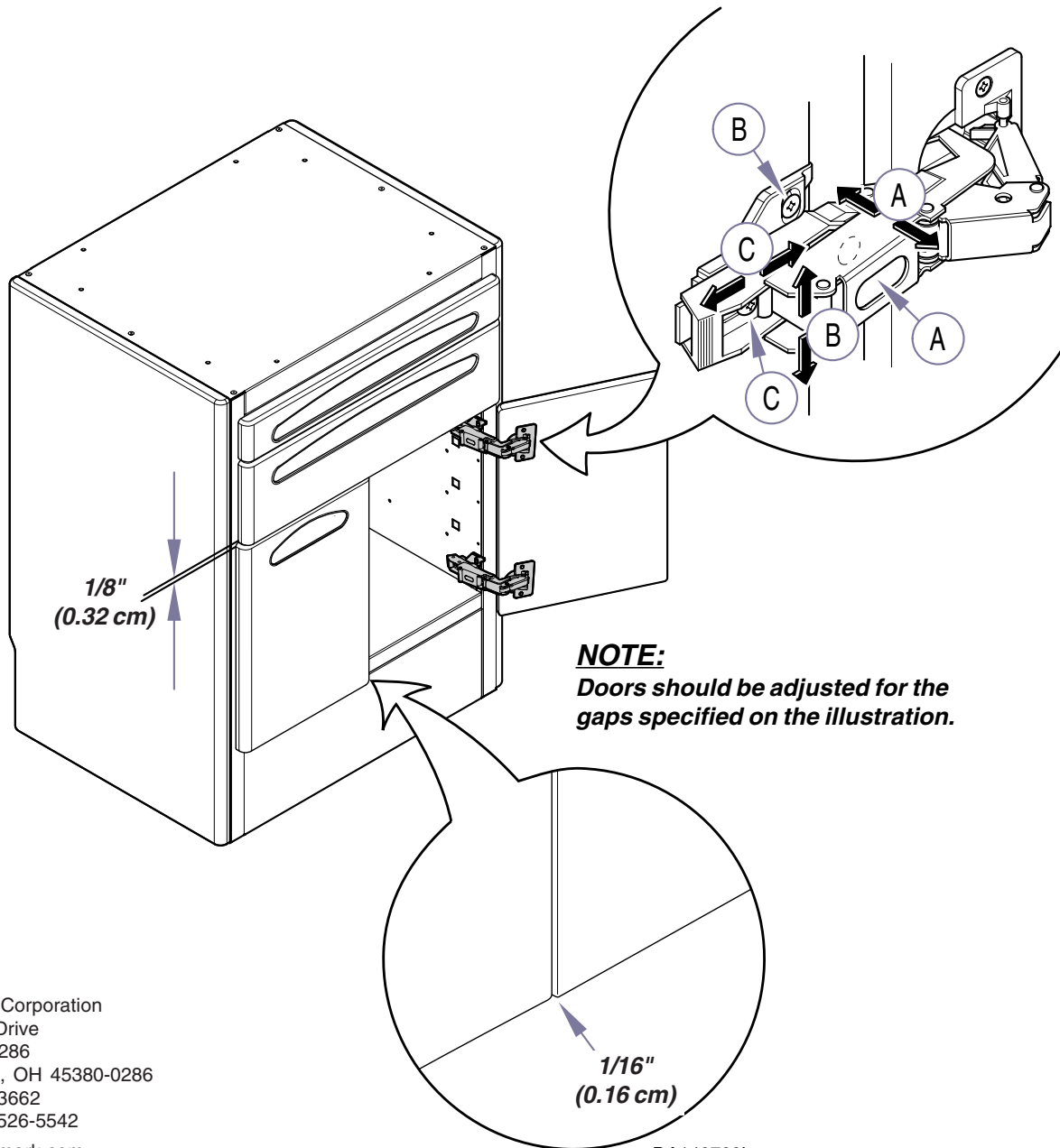
**Step 2:** Position countertop so it extends 3/8" (0.95 cm) to 1/2" (1.3 cm) over each end of cabinet(s) and secure with #10 x 5/8" screws.

**Step 1:** If necessary, level and connect any additional storage units.



DA140801i

## DOOR ADJUSTMENT



**Step A:** *Side Adjustment*  
Turn screw (A) until door is in desired position.

**Step B:** *Height Adjustment*  
Loosen screw (B) approximately 1/4 turn, reposition door, tighten screw.

**Step C:** *Depth Adjustment*  
Loosen screw (C) reposition door, tighten screw.

**NOTE:**  
Doors should be adjusted for the gaps specified on the illustration.

Midmark Corporation  
60 Vista Drive  
P.O. Box 286  
Versailles, OH 45380-0286  
937-526-3662  
Fax 937-526-5542  
www.midmark.com

DA140700i