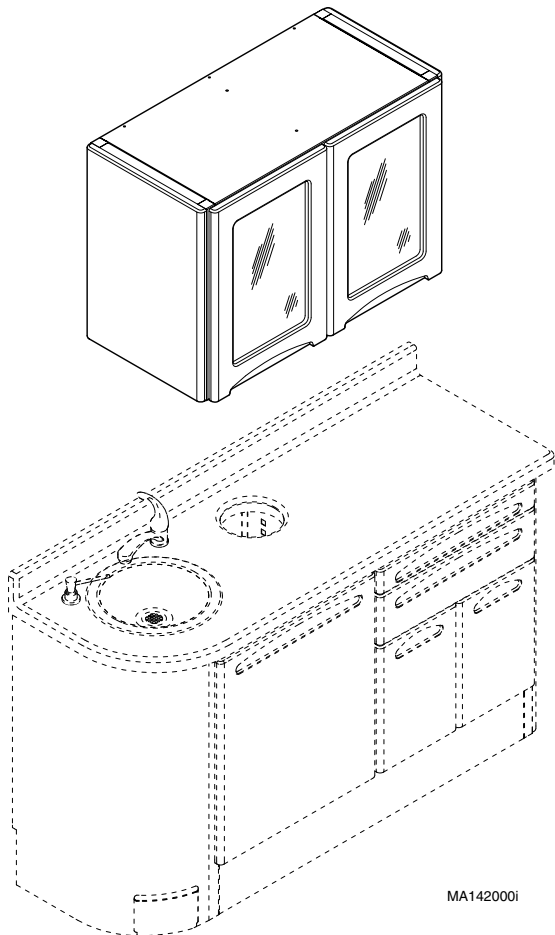


# 30" / 41" Upper Storage Unit Installation



## Special Tools

Level  
Stud Finder



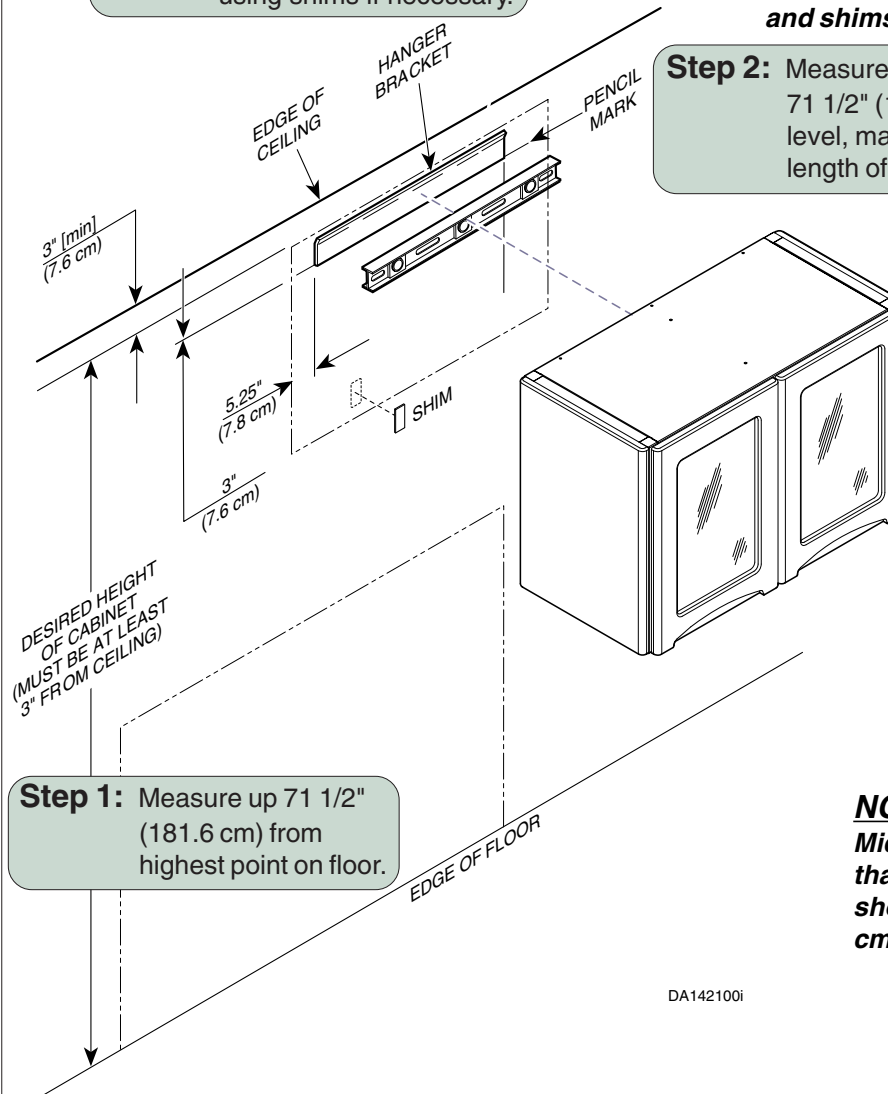
## Models:

DM-OUC030-00X (30" Upper Storage Unit)  
DM-OUC041-00X (41" Upper Storage Unit)

**Step 3:** Align bottom of bracket with mark. Secure with appropriate hardware, using shims if necessary.

**NOTE:**  
If necessary to form bracket to wall, use double-sided tape and shims behind bracket.

**Step 2:** Measure down 3" (7.6 cm) from 71 1/2" (181.6 cm) mark. Using a level, mark a line along the entire length of the storage unit.



**Step 1:** Measure up 71 1/2" (181.6 cm) from highest point on floor.

**NOTE:**  
Midmark recommends that bottom of cabinet should be 18" (45.7 cm) above countertop.

## Attaching Additional Upper Storage Unit.

**Step 1:** Measure over 4 1/2" (11.4 cm) from side of storage unit and place a mark.

4.5 in  
(11.4 cm)

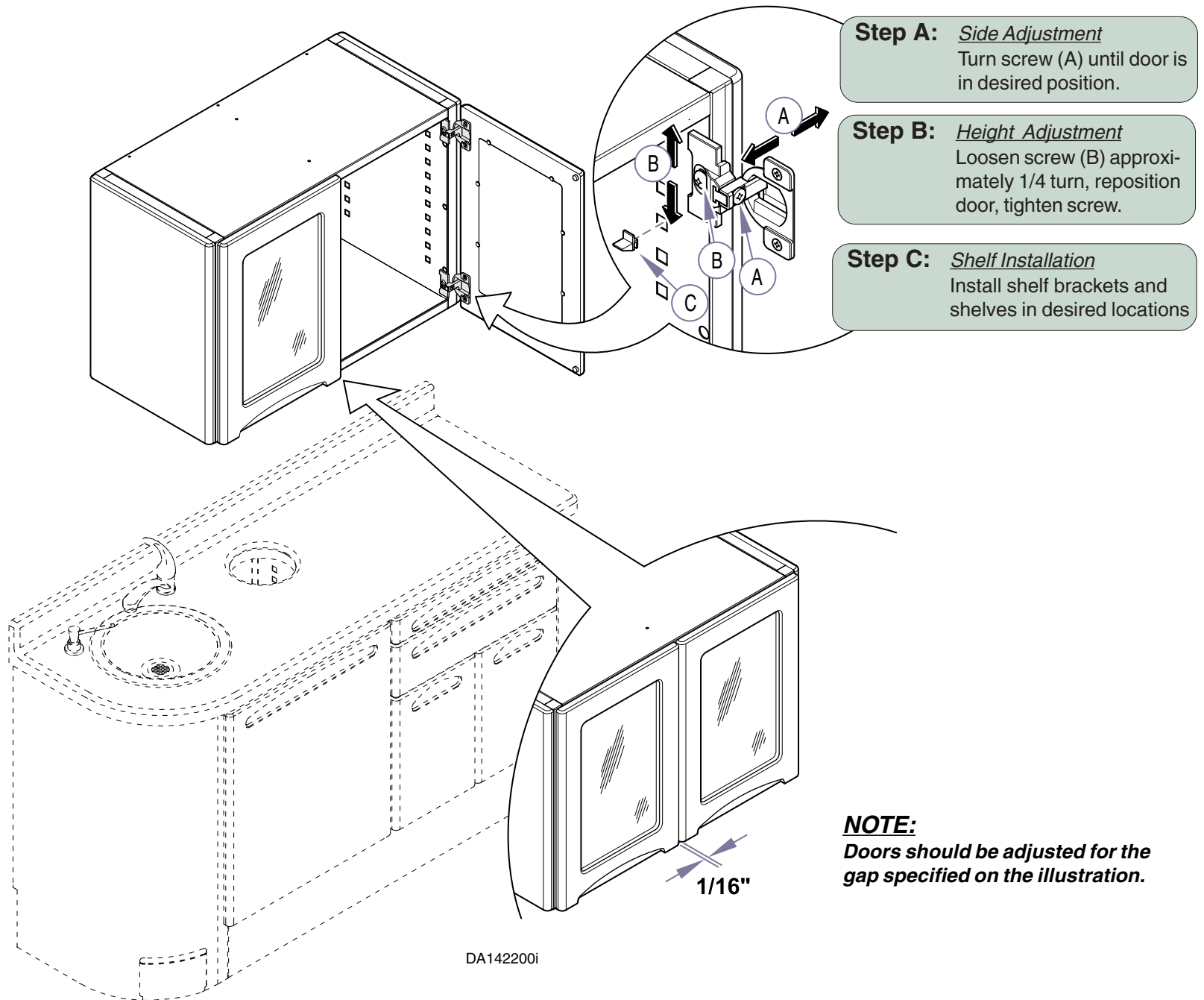
**Step 2:** Position mounting bracket as shown. Level and secure to wall as described on previous page.

**Step 3:** Place unit on bracket and connect using special hex bolts.

**Special hex bolts  
(#10-24 x 3/4")**

DA143600i

## DOOR ADJUSTMENT / SHELF INSTALLATION



Midmark Corporation  
60 Vista Drive  
P.O. Box 286  
Versailles, OH 45380-0286  
937-526-3662  
Fax 937-526-5542  
[www.midmark.com](http://www.midmark.com)

