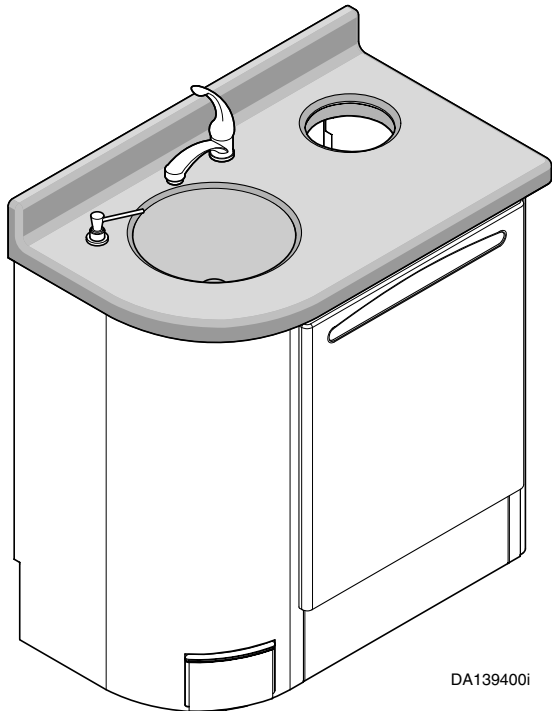


# 30" Sink Unit Installation



## Special Tools

- Level
- 1/4" deep well socket
- Caulking Gun
- Belt Sander

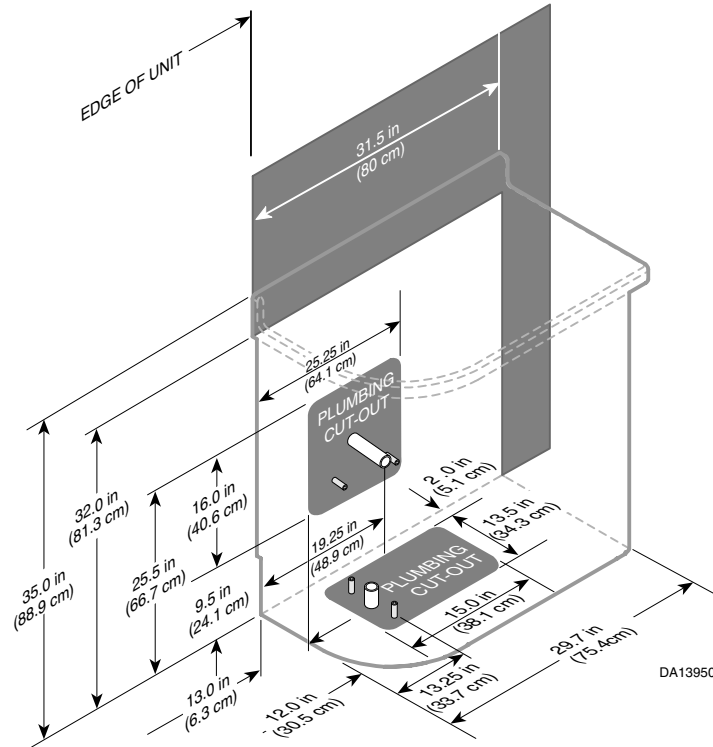


DA139400i

**DM-OSC030L-001 (Shown)**

## Models:

- DM-OSC030R-001** (30" Sink Unit w/ Tapmaster™, RH)
- DM-OSC030R-002** (30" Sink Unit w/o Tapmaster™, RH)
- DM-OSC030L-001** (30" Sink Unit w/ Tapmaster™, LH)
- DM-OSC030L-002** (30" Sink Unit w/o Tapmaster™, LH)



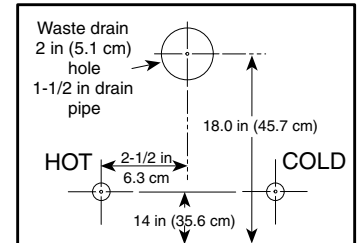
DA139500i

## NOTES:

• **All plumbing must be made by a licensed plumbing contractor and conform to local, city, and national codes pertaining to the installation.**

• **The wall layout shows a LH unit.**

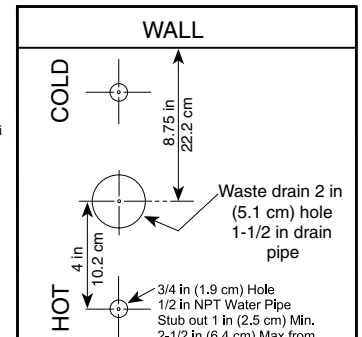
**If unit being installed is a RH unit, layout and dimensions are a mirror image.**



FLOOR

- 3/4 in (1.9 cm) Hole
- 1/2 in NPT Water Pipe
- Stub out 1-3/4 in (4.5 cm) Min.
- 3-3/4 in. (9.5 cm) Max from finished wall surface
- Use 1/2 in male NPT fittings on end of stubs for connections to shut-off valves.
- Install 1/2 in inlet x 3/8 in O.D. outlet angle shut-off valves.

## WALL MOUNT SERVICE

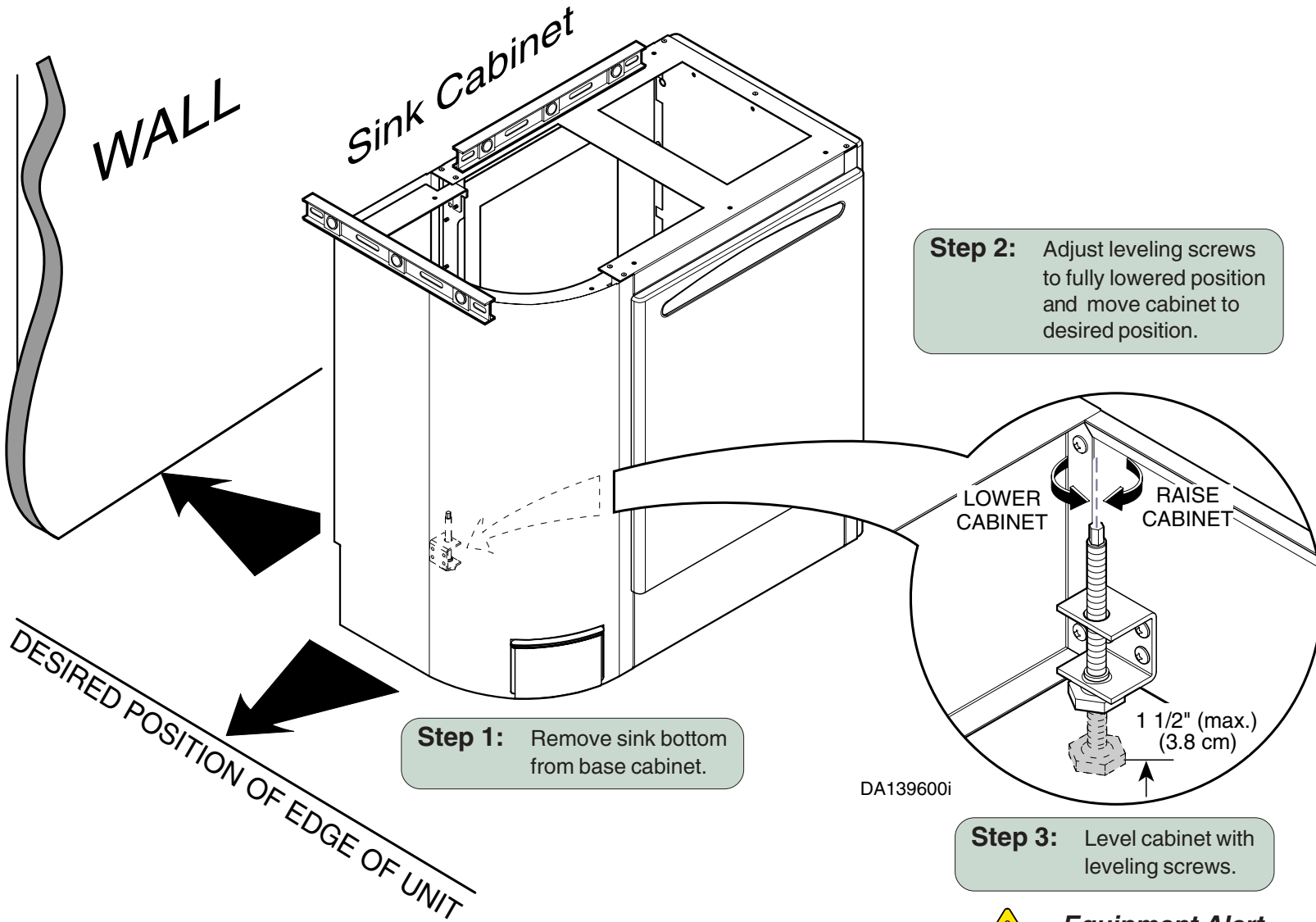


WALL

- 3/4 in (1.9 cm) Hole
- 1/2 in NPT Water Pipe
- Stub out 1 in (2.5 cm) Min.
- 2-1/2 in (6.4 cm) Max from finished floor surface.
- Use 1/2 in male NPT fitting on end of stubs for connections to shut-off valves. Install 1/2 in Inlet x 3/8 in O.D. outlet angle shut-off valves.

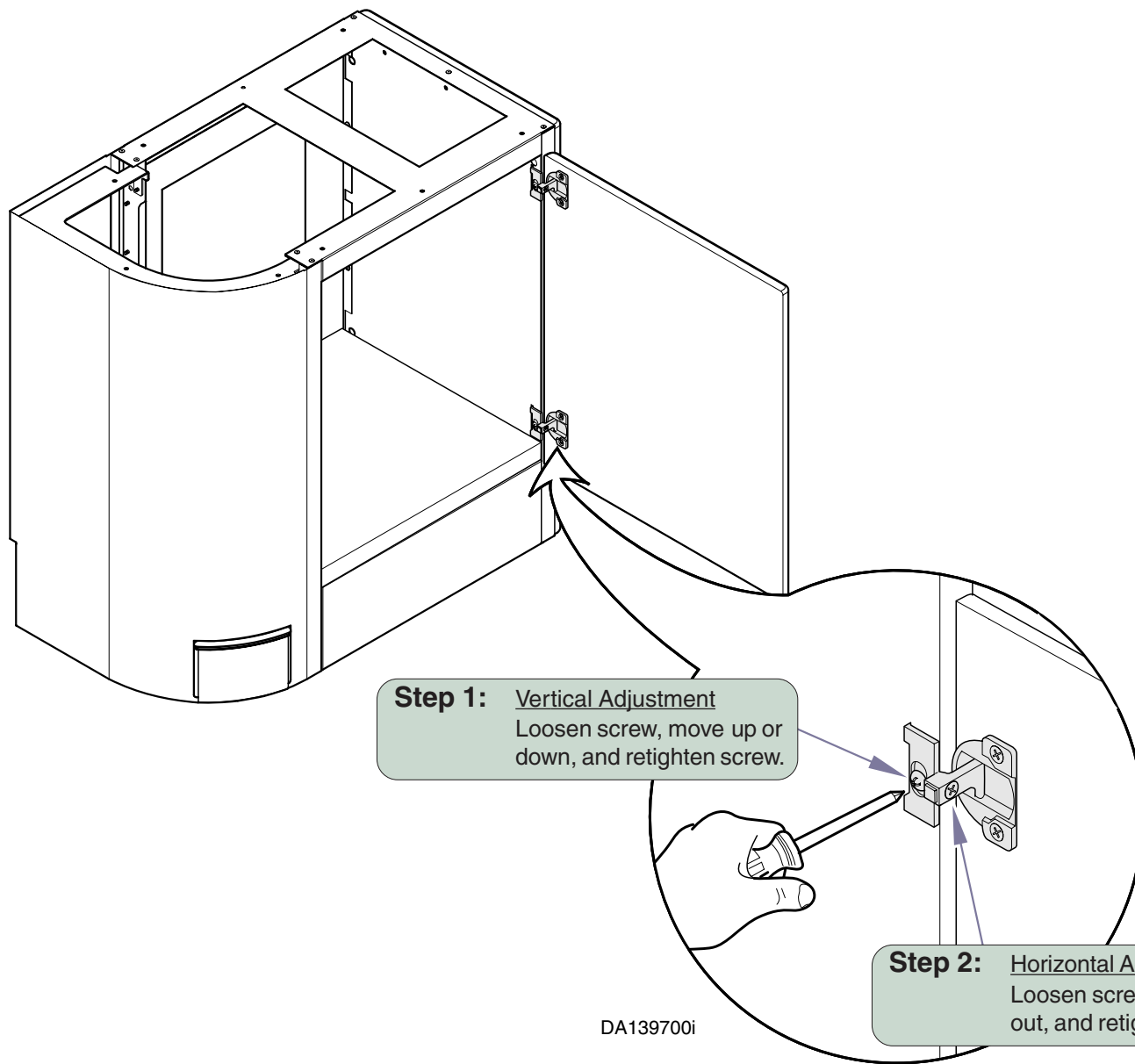
## FLOOR MOUNT SERVICE

# SINK BASE CABINET INSTALLATION



**Equipment Alert**  
Do not adjust leveling screws more than 1 1/2" (3.8 cm) to prevent loss of stability.

# DOOR ADJUSTMENT



DA139700i

# COUNTERTOP INSTALLATION

**NOTE:**  
If necessary, sand  
countertop to form  
to wall.

**Step 2:** Position countertop so it extends 3/8" (0.95 cm) to 1/2" (1.3 cm) over each end of cabinet(s) and secure with #10 x 5/8" screws.

**Step 1:** If necessary, level and connect any additional storage units to Sink Unit.

**Special hex bolts**  
(#10-24 x 3/4")

DA139801i

# SINK INSTALLATION & PLUMBING CONNECTIONS

## NOTE:

All plumbing must be made by a licensed plumbing contractor and conform to local, city, and national codes pertaining to the installation.

**Step 4:** Install faucet and soap dispenser using instructions included with those items.

**Step 3:** If required, caulk around perimeter of hole, and install waste ring.

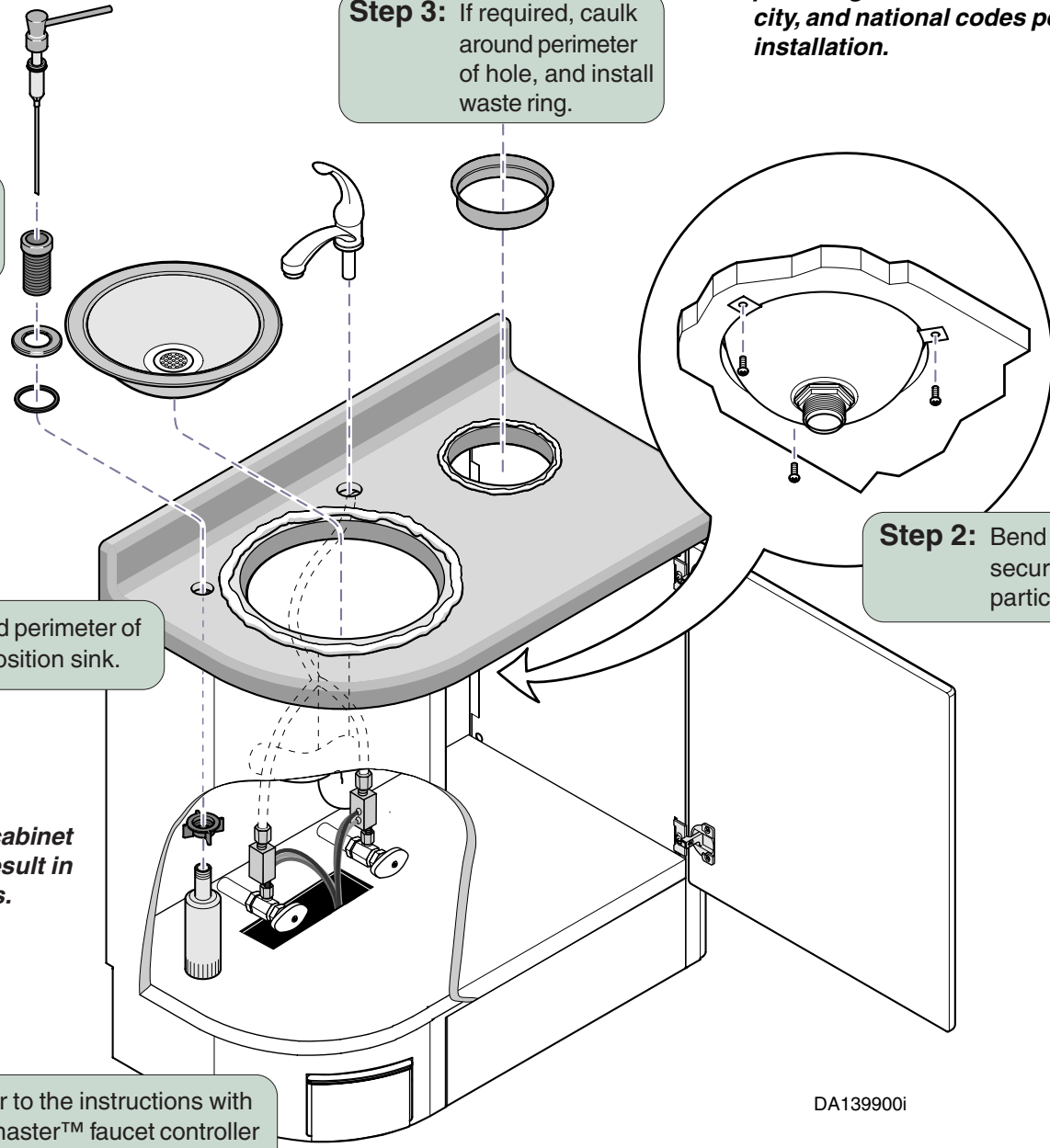
**Step 1:** Caulk around perimeter of hole, then position sink.

**Step 2:** Bend tabs upward and secure with #10 x 5/8" particle board screws.



**Equipment Alert**  
When installing a sink, Midmark recommends securing cabinet to wall. Failure to comply may result in damage to plumbing connections.

**Step 5:** Refer to the instructions with Tapmaster™ faucet controller for installation procedure.



DA139900i

Midmark Corporation  
60 Vista Drive  
P.O. Box 286  
Versailles, OH 45380-0286  
937-526-3662  
Fax 937-526-5542  
[www.midmark.com](http://www.midmark.com)

