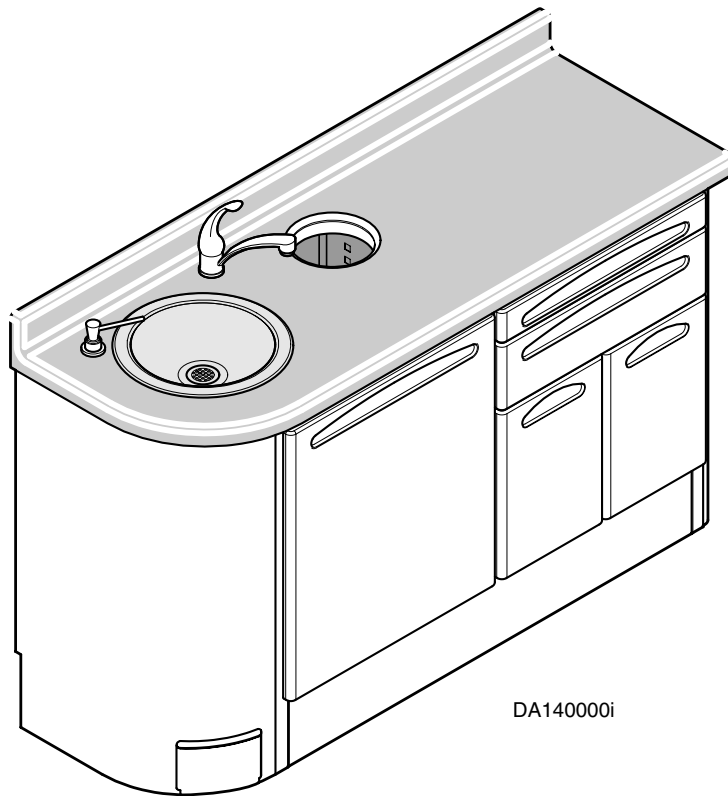


# 51" Sink / Storage Unit Installation



## Special Tools

- Level
- 1/4" deep well socket
- Caulking Gun
- Belt Sander



DA140000i

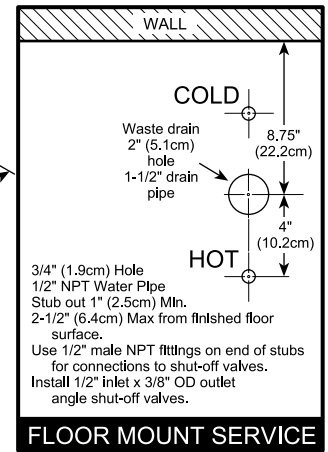
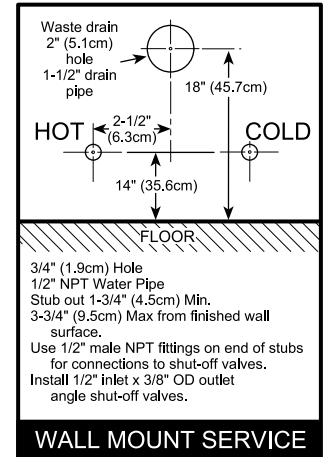
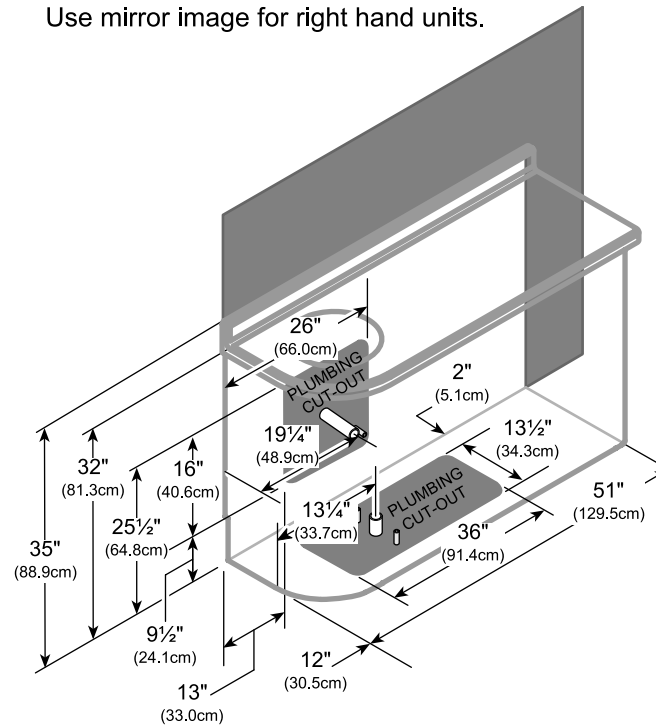
DM-OSC051L-0XX (Shown)

## Models:

DM-OSC051R-0XX (51" RH Sink / Storage Unit)

DM-OSC051L-0XX (51" LH Sink / Storage Unit)

Use mirror image for right hand units.

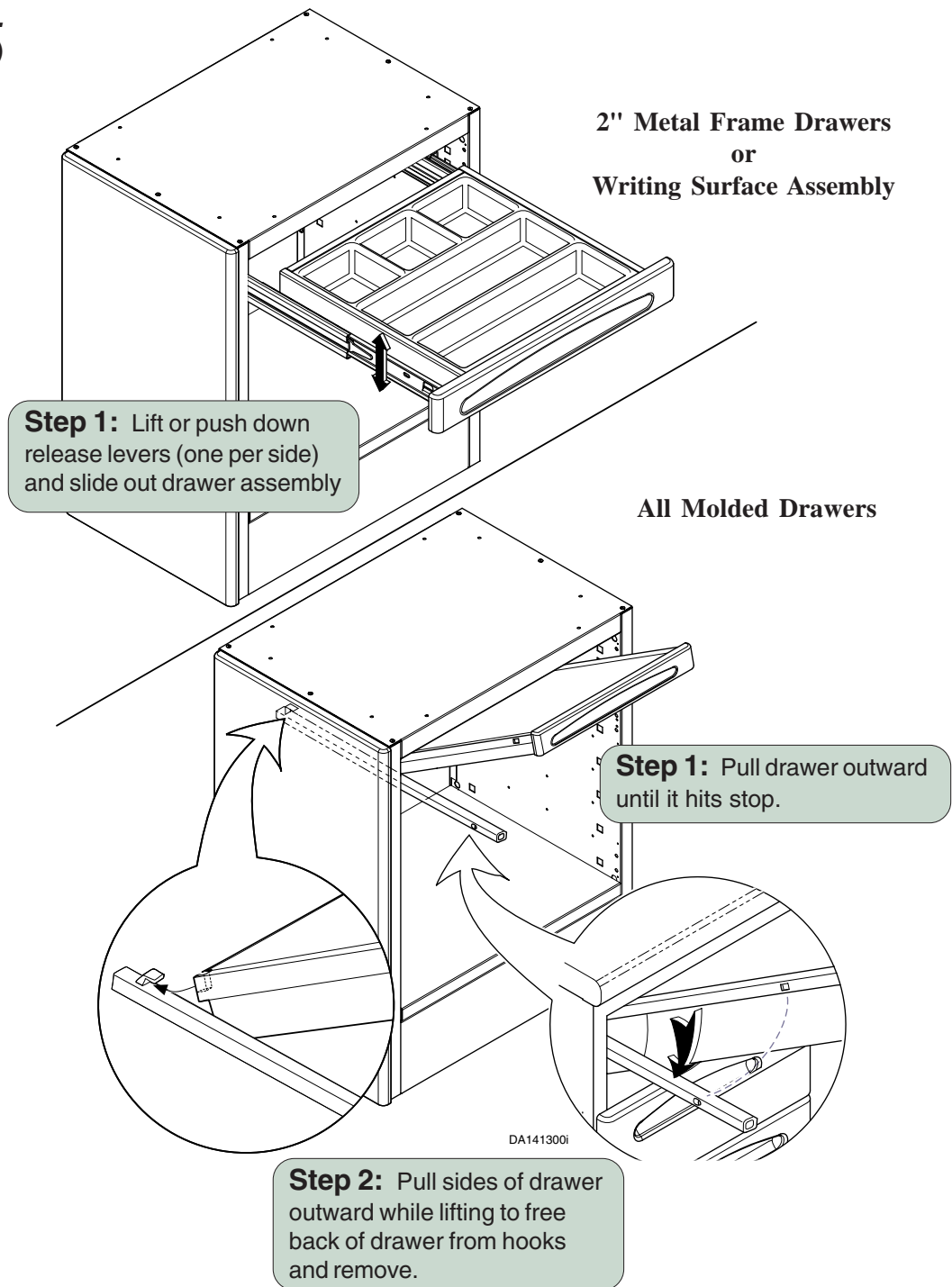


DA140100i

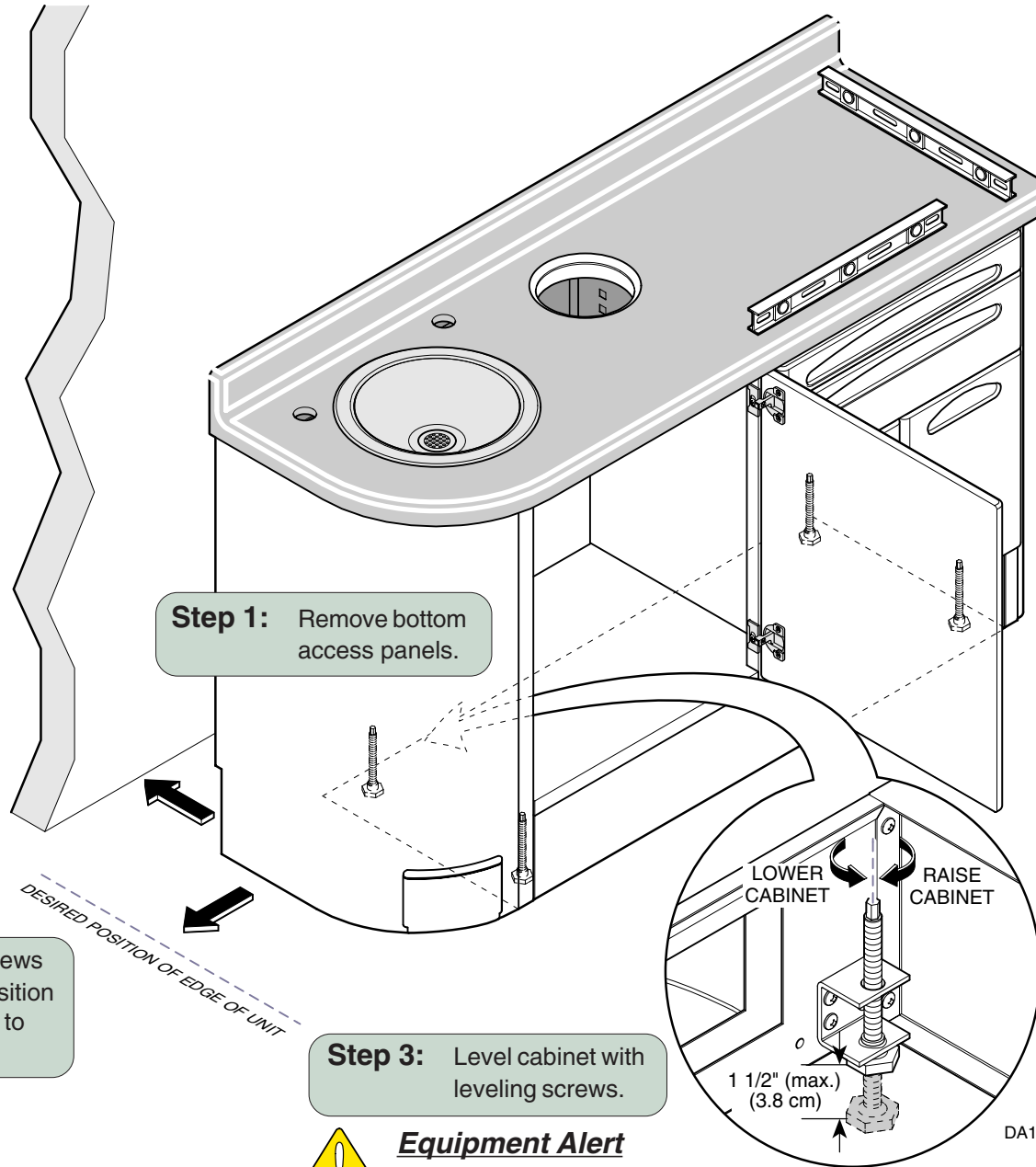
## NOTES:

- All plumbing must be made by a licensed plumbing contractor and conform to local, city, and national codes pertaining to the installation.
- The wall layout shows a LH unit. If unit being installed is a RH unit, layout and dimensions are a mirror image.

**DRAWER REMOVAL**  
*( If Required for Access)*



# SINK / STORAGE UNIT INSTALLATION



## SINK INSTALLATION & PLUMBING CONNECTIONS

**Step 1:** Install faucet and soap dispenser using instructions included with those items.



### ***Equipment Alert***

***When installing a sink, Midmark recommends securing cabinet to wall. Failure to comply may result in damage to plumbing connections.***

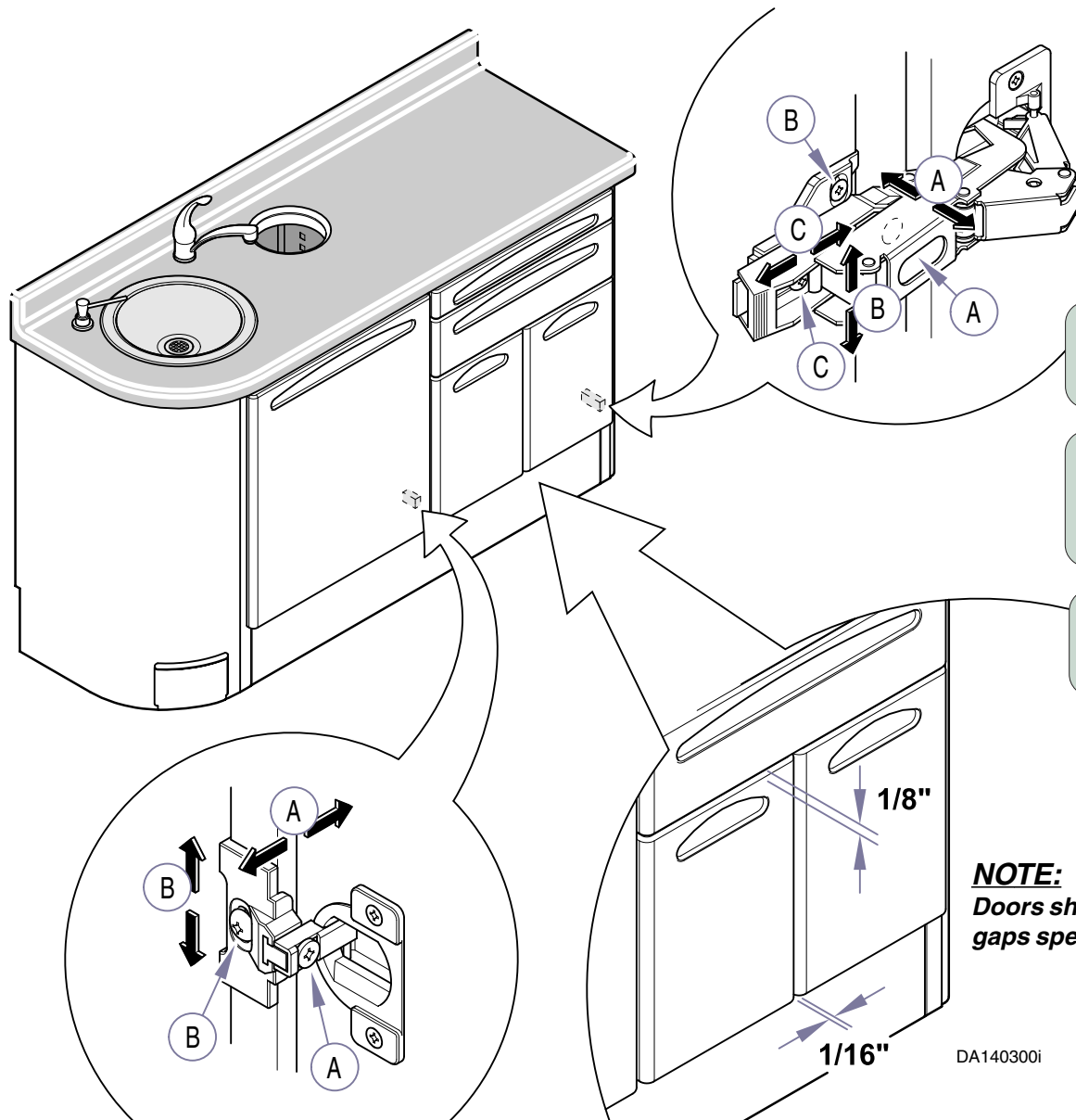
**Step 2:** Install bottom access panel, feeding any lines thru access hole, before connecting Tapmaster™ lines.

**Step 3:** Refer to the instructions with Tapmaster™ faucet controller for installation procedure.



DA141400i

## DOOR HINGE ADJUSTMENT



**Step A:** *Side Adjustment*  
Turn screw (A) until door is in desired position.

**Step B:** *Height Adjustment*  
Loosen screw (B) approximately 1/4 turn, reposition door, tighten screw.

**Step C:** *Depth Adjustment*  
Loosen screw (C) reposition door, tighten screw.

**NOTE:**  
Doors should be adjusted for the gaps specified on the illustration.

DA140300i

Midmark Corporation  
60 Vista Drive  
P.O. Box 286  
Versailles, OH 45380-0286  
937-526-3662  
Fax 937-526-5542  
[www.midmark.com](http://www.midmark.com)

