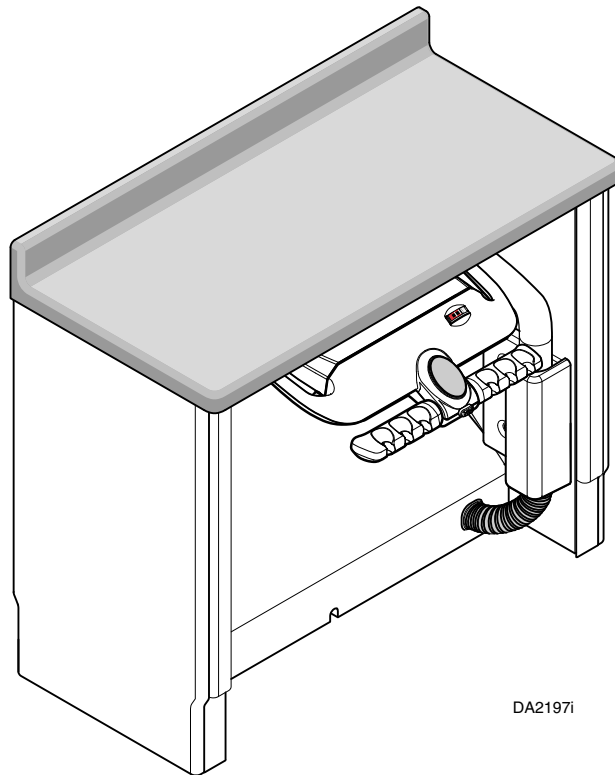


36" / 42" Side Delivery Unit Installation



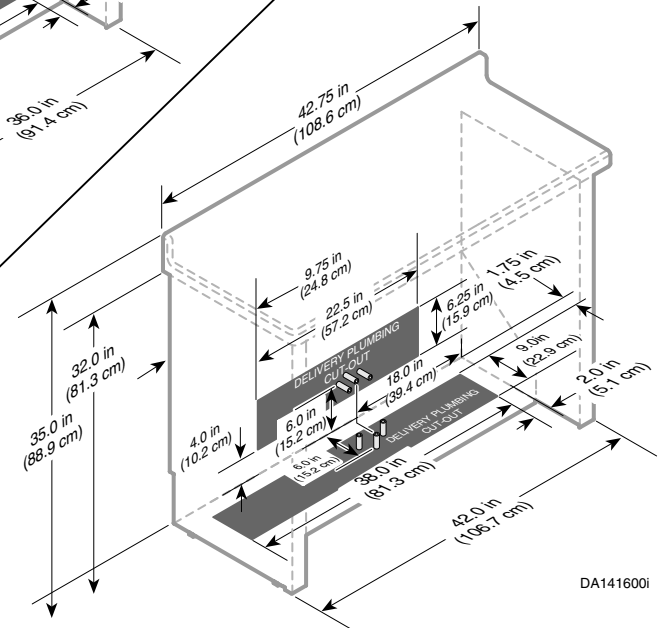
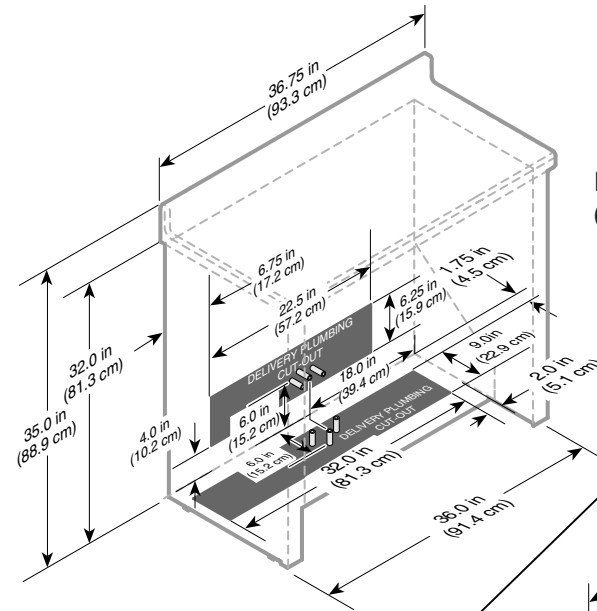
Special Tools

- Level
- 1/4" deep well socket
- Caulking Gun
- Belt Sander

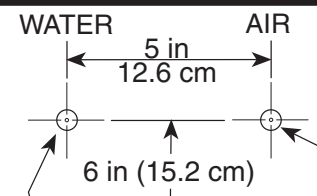
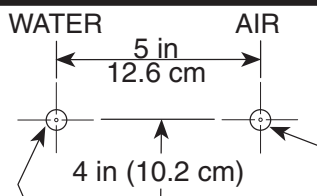


Models:

- DM-OSC036 (36" Side Delivery Unit)
- DM-OSC042 (42" Side Delivery Unit)
- OSC36D (36" Side Delivery Unit)
- OSC42D (42" Side Delivery Unit)



DELIVERY UNIT SERVICE DETAILS

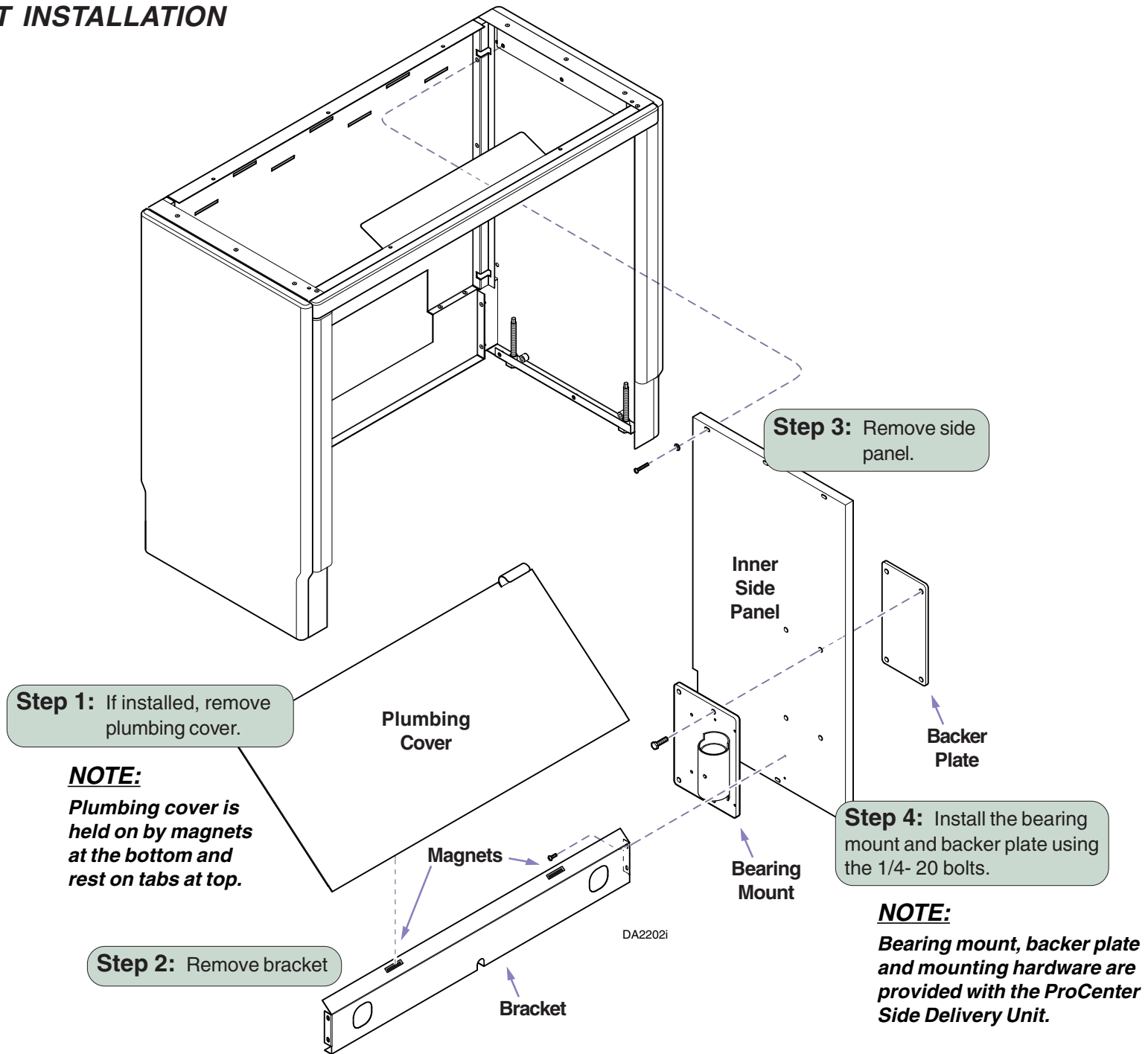
	WALL MOUNT SERVICE	FLOOR MOUNT SERVICE
DETAIL "B"	 <p style="text-align: center;">FLOOR</p> <p>3/4 in (1.9 cm) Hole 1/2 in I.D. NPT Water Pipe (Copper Tubing). Stub out 1-3/4 in (4.5 cm) Min. 3-3/4 in. (9.5 cm) Max from finished wall surface. Use 1/2 in male NPT fitting on end of stub for connection to shut-off valve. Install 1/2 in inlet x 3/8 in O.D. outlet angle shut-off valve. Air pressure must be between 75-100 psi (516.9 - 689.2 kPa). If air pressure exceeds the 100 psi (689.2 kPa), use a suitable pressure reducing valve. For maximum life and trouble free operation, the air supply must be clean and dry. It is recommended that a moisture separator and filter be installed as near to the connection as possible, and be accessible for periodic cleaning.</p>	 <p style="text-align: center;">WALL</p> <p>3/4 in (1.9 cm) Hole 1/2 in I.D. NPT Water Pipe (Copper Tubing). Stub out 1 in (2.5 cm) Min. 2-1/2 in. (6.4 cm) Max from finished wall surface. Use 1/2 in male NPT fitting on end of stub for connection to shut-off valve. Install 1/2 in inlet x 3/8 in O.D. outlet angle shut-off valve. Air pressure must be between 75-100 psi (516.9 - 689.2 kPa). If air pressure exceeds the 100 psi (689.2 kPa), use a suitable pressure reducing valve. For maximum life and trouble free operation, the air supply must be clean and dry. It is recommended that a moisture separator and filter be installed as near to the connection as possible, and be accessible for periodic cleaning.</p>

DA141700f

NOTE:

All plumbing must be made by a licensed plumbing contractor and conform to local, city, and national codes pertaining to the installation.

CABINET INSTALLATION



CABINET INSTALLATION - (continued)



Equipment Alert

After cabinet has been leveled it **must be secured to the wall** with appropriate hardware.

WALL

NOTE:

Remove Inner Side Panel when connecting to another cabinet.

Step 7: Secure Side Delivery Cabinet to wall.

Step 8: Install Inner Side Panel

Step 9: Loosen mounting bolts, level bearing mounting assembly and tighten bolts.

DESIRED POSITION OF EDGE OF UNIT

Step 5: Adjust leveling screws to fully lowered position and move cabinet to desired position.

LOWER CABINET

RAISE CABINET

1 1/2" (max.)
(3.8 cm)

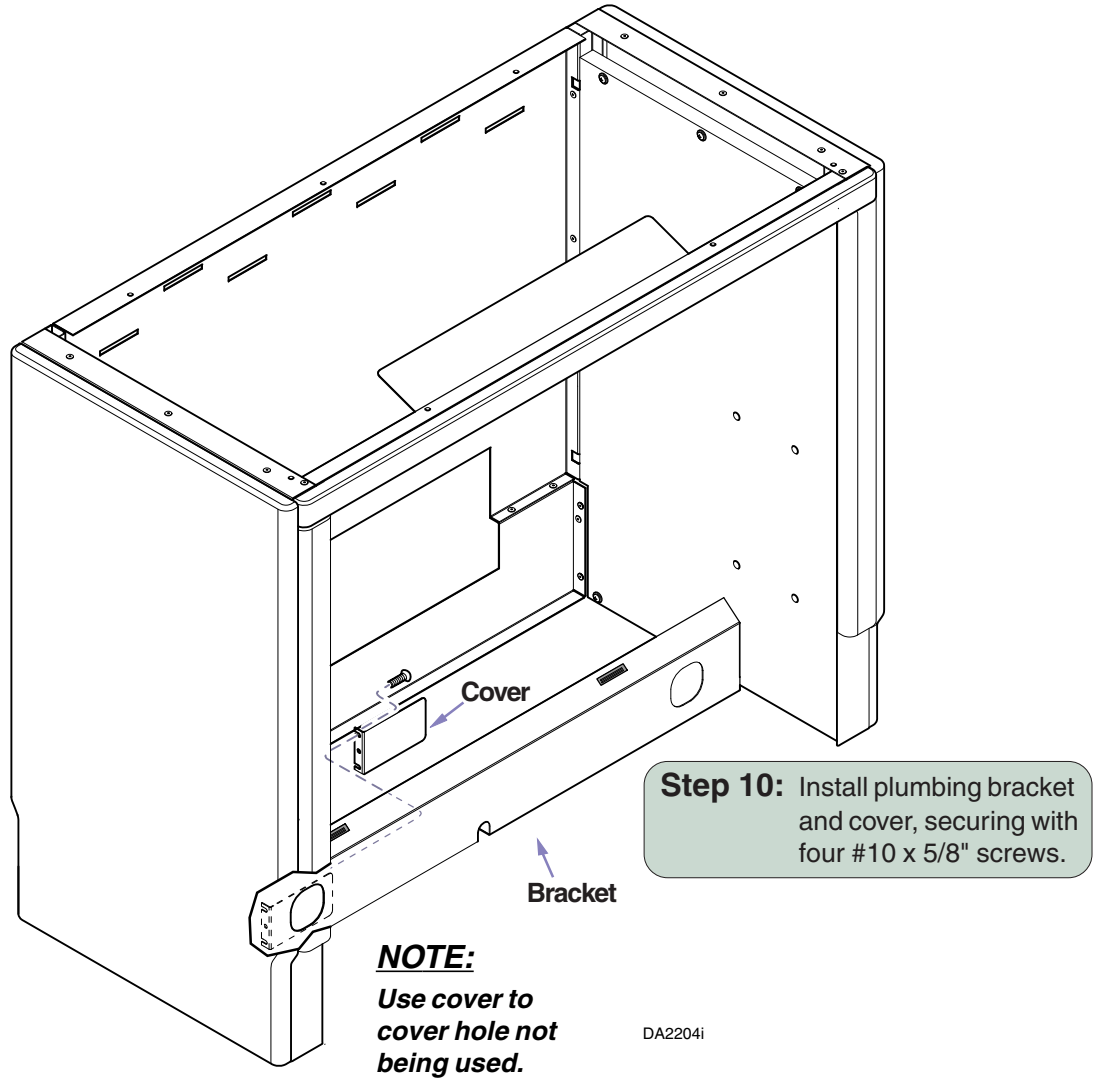
Step 6: Level cabinet with leveling screws.



Equipment Alert
Do not adjust leveling screws more than 1 1/2" (3.8 cm) to prevent loss of stability.

DA2203i

CABINET INSTALLATION - (continued)

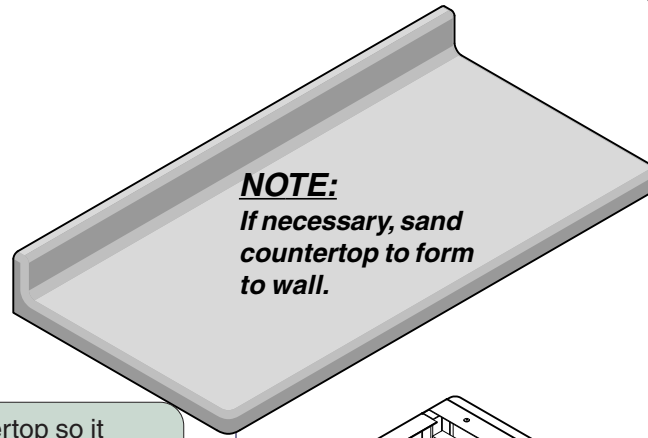


Step 10: Install plumbing bracket and cover, securing with four #10 x 5/8" screws.

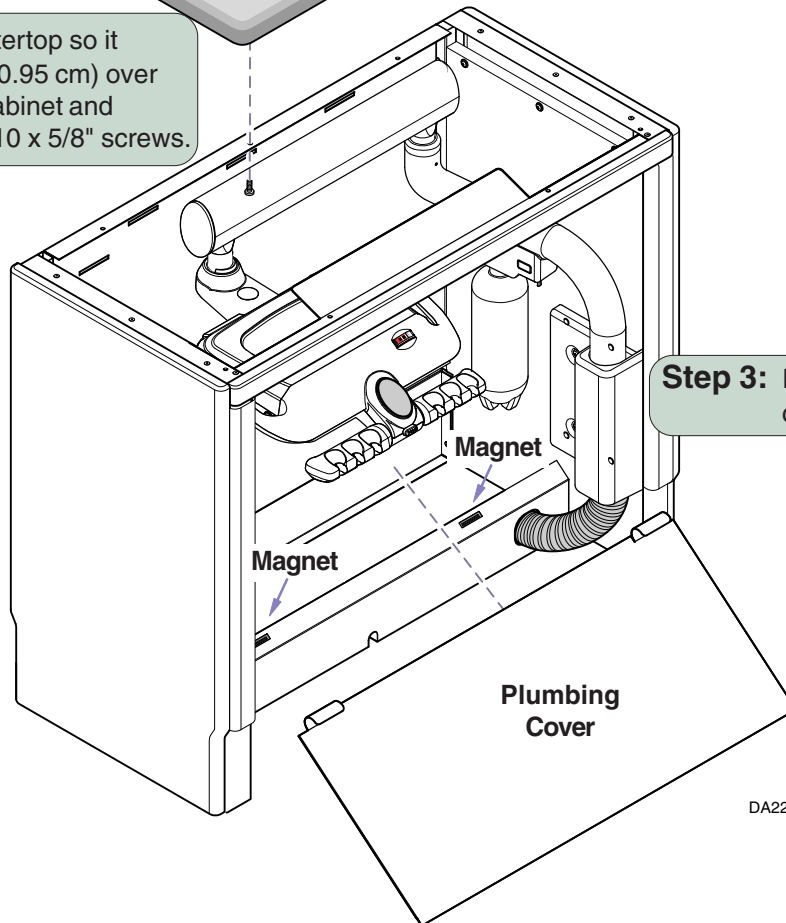
NOTE:
Use cover to cover hole not being used.

DA2204i

SIDE DELIVERY / COUNTERTOP INSTALLATION



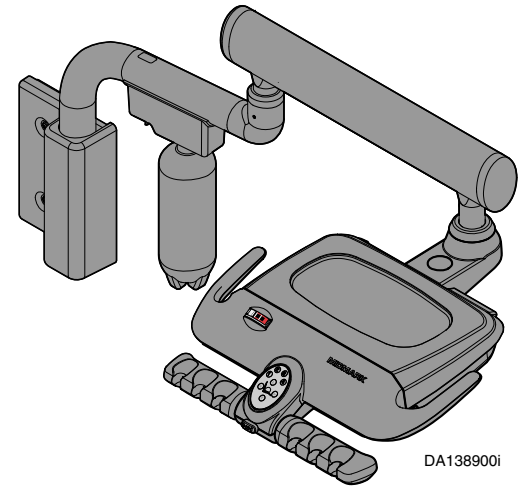
Step 2: Position countertop so it extends 3/8" (0.95 cm) over each end of cabinet and secure with #10 x 5/8" screws.



Step 3: Install plumbing cover.

NOTE:
Plumbing cover is held on by magnets at the bottom and rest on tabs at top.

DA2205i



Step 1: To install a Midmark ProCenter Delivery Unit refer to Side Delivery Installation Guide (003-1292-00).

Midmark Corporation
60 Vista Drive
P.O. Box 286
Versailles, OH 45380-0286
937-526-3662
Fax 937-526-5542
www.midmark.com

