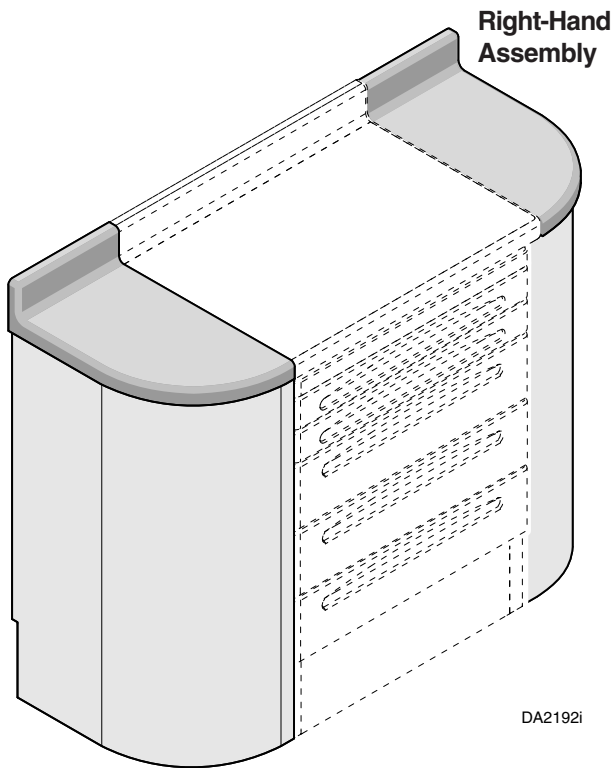


Round End Shell Assembly Installation



Special Tools

Level
1/4" deep well socket
Drill w/ 9/32" bit



Left-Hand
Assembly

Models:

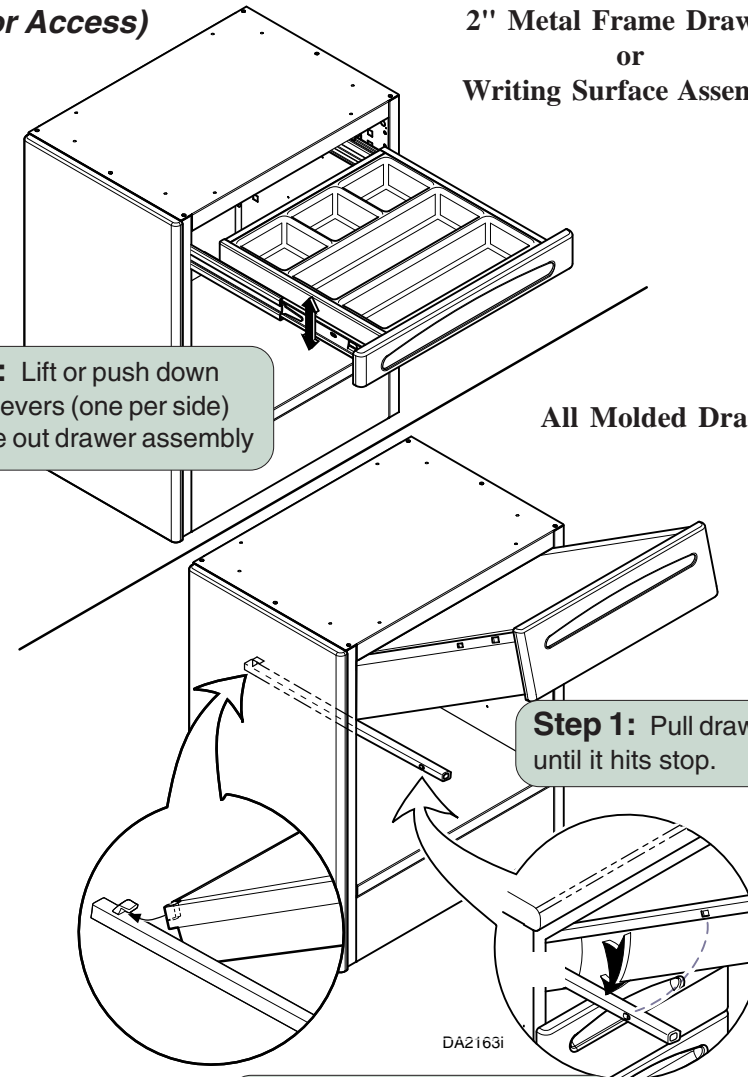
DM-OAC010R (Right Hand Unit)
DM-OAC010L (Left Hand Unit)
OSC010R (Right Hand Unit)
OSC010L (Left Hand Unit)

DRAWER REMOVAL (If Required for Access)

2" Metal Frame Drawers
or
Writing Surface Assembly

Step 1: Lift or push down
release levers (one per side)
and slide out drawer assembly

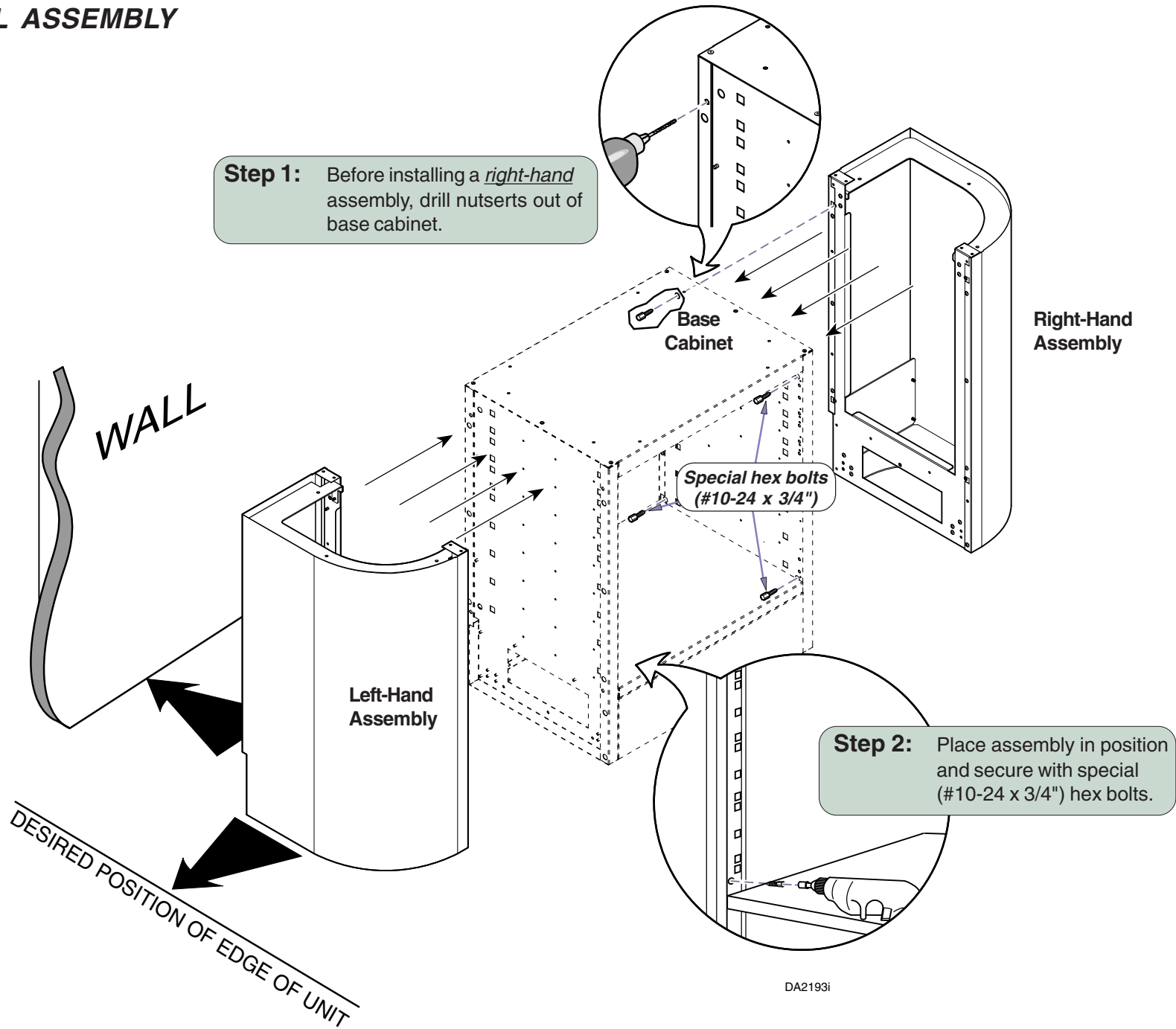
All Molded Drawers



Step 1: Pull drawer outward
until it hits stop.

Step 2: Pull sides of drawer
outward while lifting to free
back of drawer from hooks
and remove.

CONNECTING ROUND END SHELL ASSEMBLY

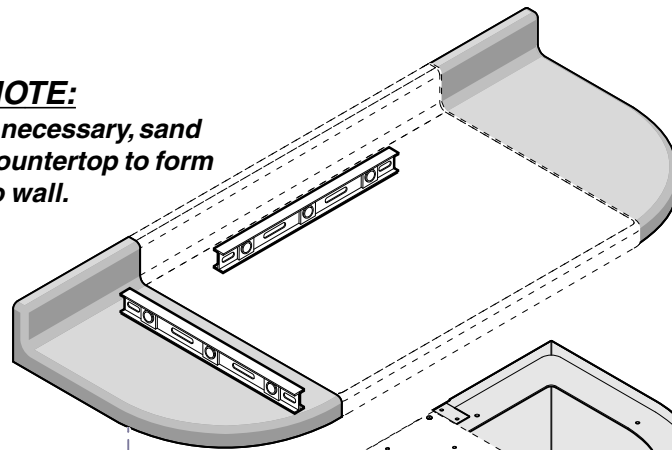


DA2193i

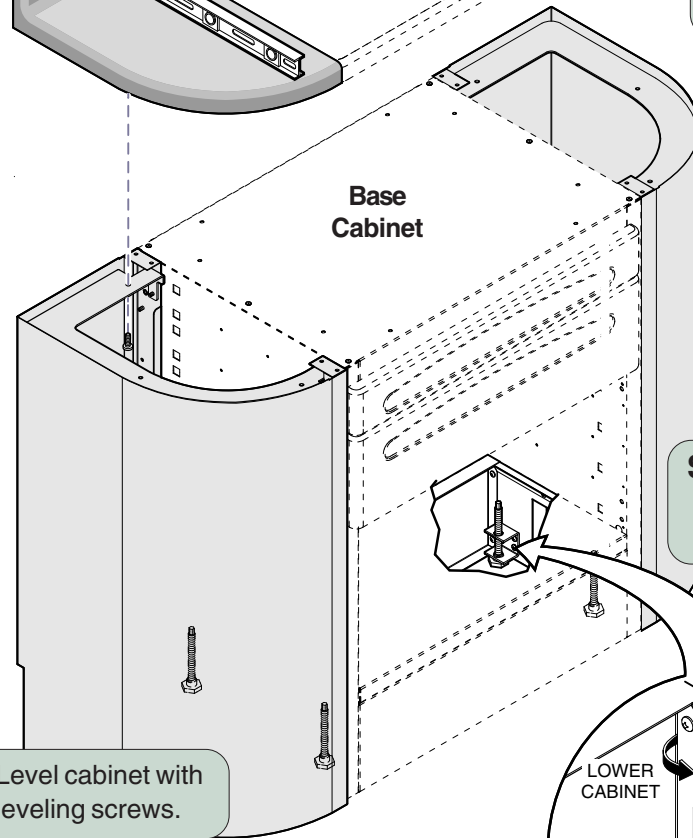
COUNTERTOP

NOTE:

If necessary, sand countertop to form to wall.



Step 1: Position countertop so it extends 3/8" (0.95 cm) to 1/2" (1.3 cm) over each end of cabinet(s) and secure with #10 x 5/8" screws.



Step 2: Remove bottom drawer or bottom panel from cabinet.

Left-Hand Assembly

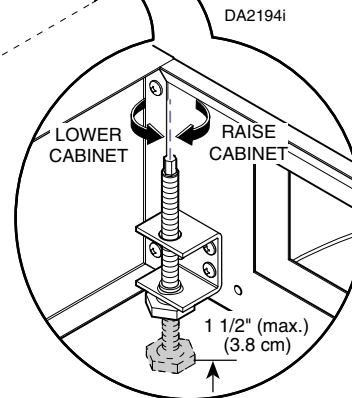
Right-Hand Assembly

Base Cabinet

Step 4: Level cabinet with leveling screws.



Equipment Alert
Do not adjust leveling screws more than 1 1/2" (3.8 cm) to prevent loss of stability.



Step 3: Adjust leveling screws to fully lowered position and move cabinet to desired position.

Midmark Corporation
60 Vista Drive
P.O. Box 286
Versailles, OH 45380-0286
937-526-3662
Fax 937-526-5542
www.midmark.com

