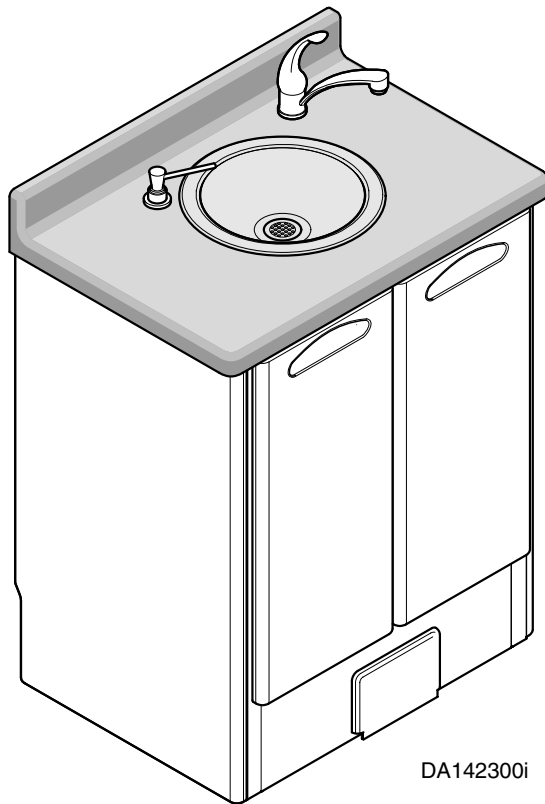


# 21" Sink Unit Installation



## Special Tools

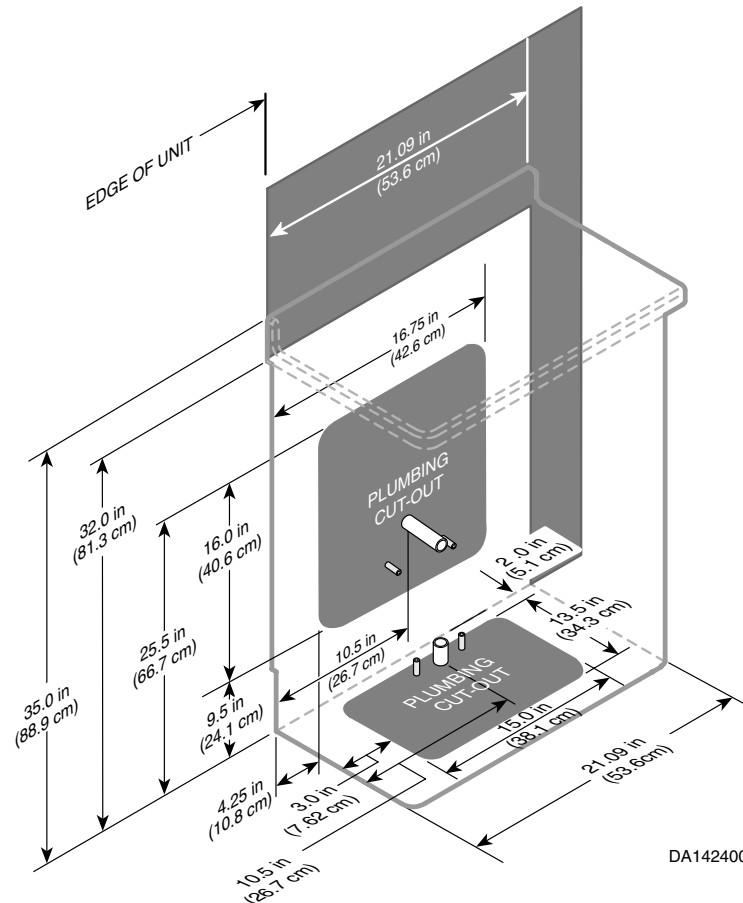
- Level
- 1/4" deep well socket
- Caulking Gun
- Belt Sander



DA142300i

## Models:

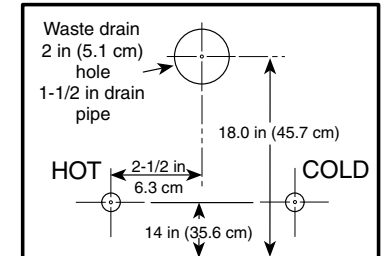
DM-OSC021 21" Sink Unit



DA142400i

## NOTES:

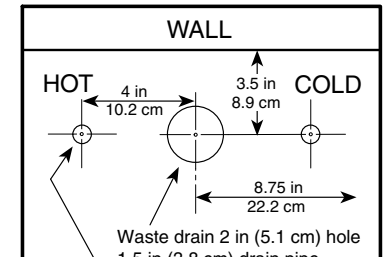
- All plumbing must be made by a licensed plumbing contractor and conform to local, city, and national codes pertaining to the installation.



FLOOR

3/4 in (1.9 cm) Hole  
1/2 in NPT Water Pipe  
Stub out 1-3/4 in (4.5 cm) Min.  
3-3/4 in (9.5 cm) Max from finished wall surface  
Use 1/2 in male NPT fittings on end of stubs for connections to shut-off valves.  
Install 1/2 in inlet x 3/8 in O.D. outlet angle shut-off valves.

**WALL MOUNT SERVICE**

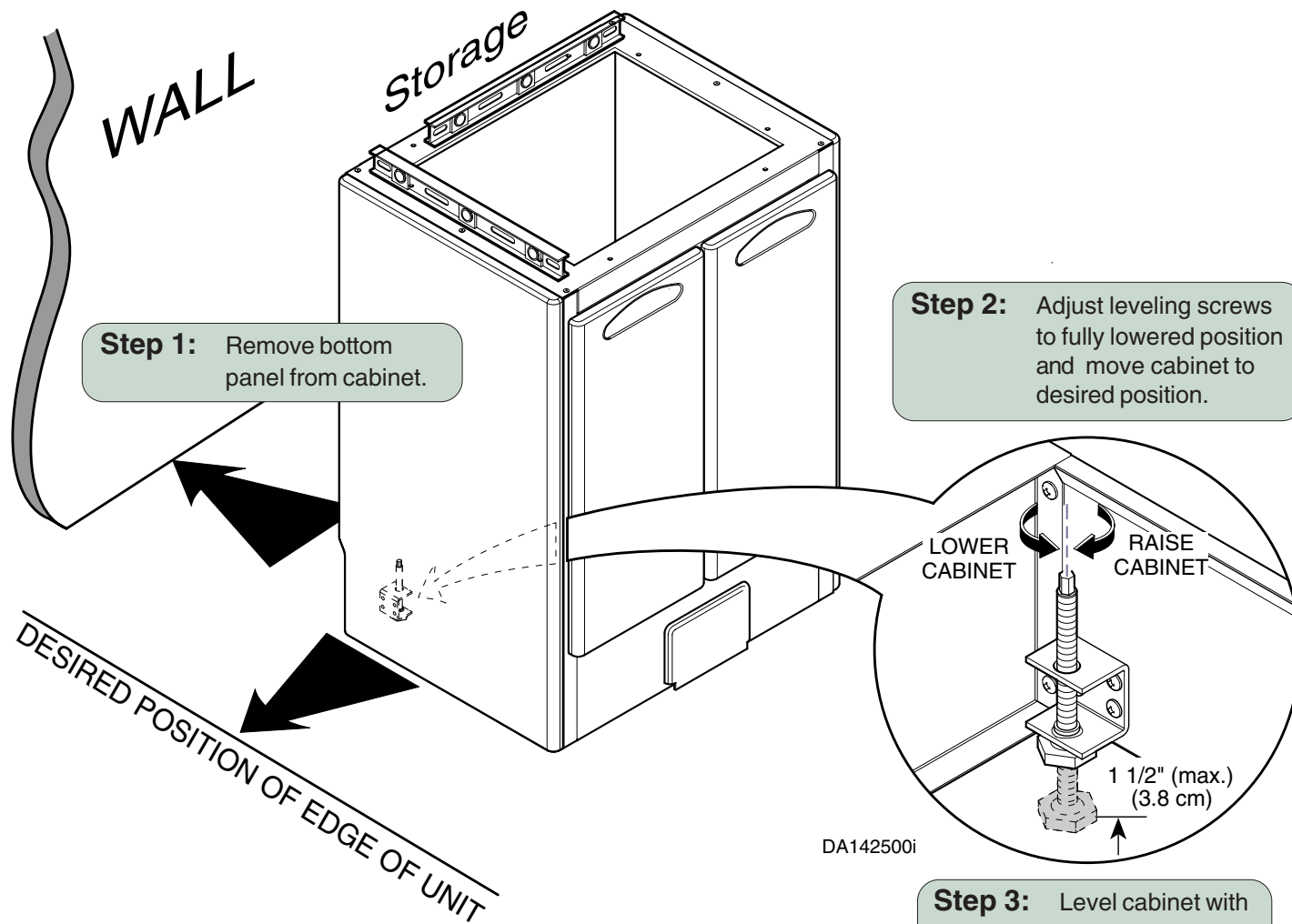


WALL

3/4 in (1.9 cm) Hole  
1/2 in NPT Water Pipe  
Stub out 1 in (2.5 cm) Min.  
2-1/2 in (6.4 cm) Max from finished floor surface.  
Use 1/2 in male NPT fitting on end of stubs for connections to end of stubs for connections to shut-off valves. Install 1/2 in inlet x 3/8 in O.D. outlet angle shut-off valves.

**FLOOR MOUNT SERVICE**

## POSITIONING & LEVELING



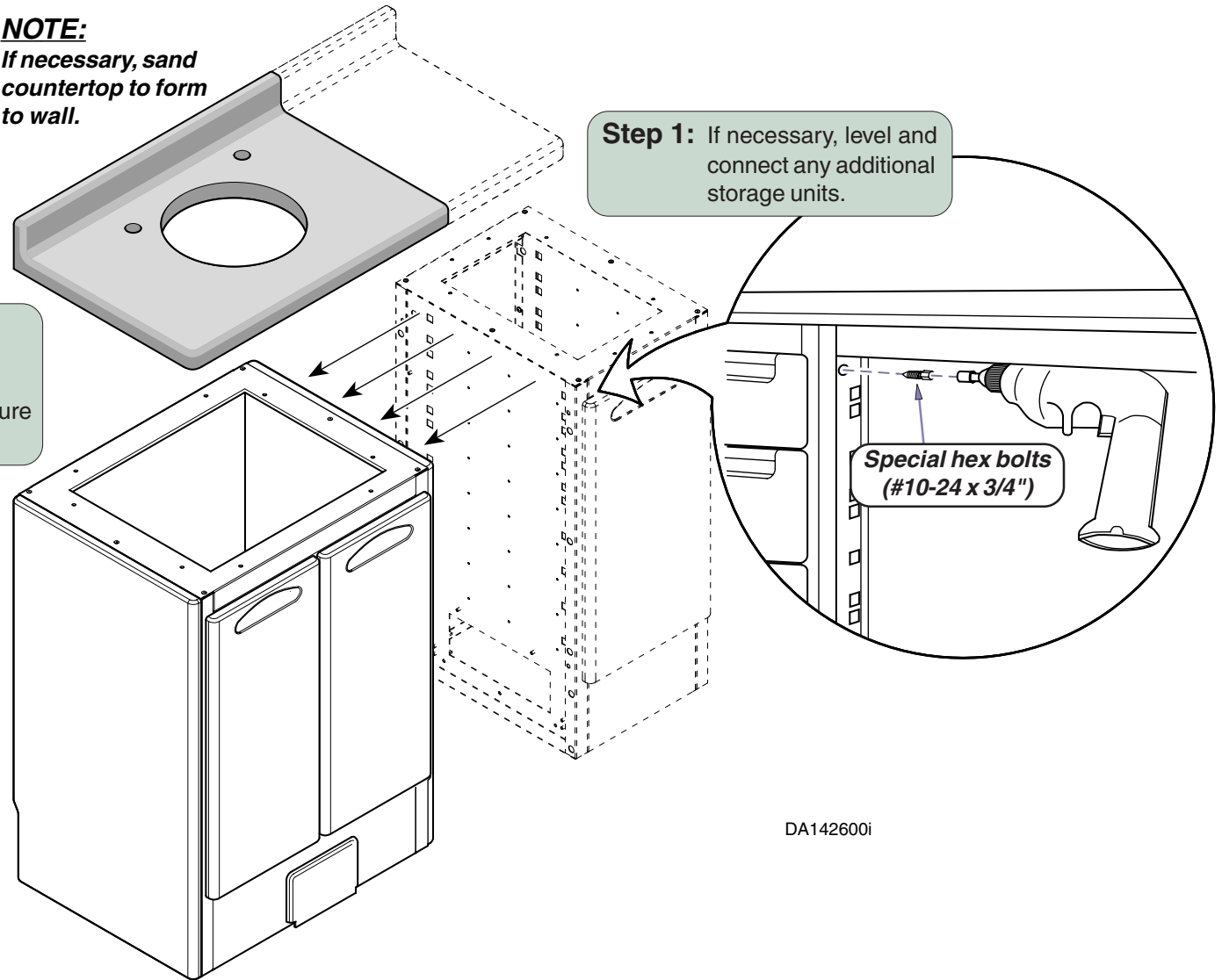
**Equipment Alert**  
Do not adjust leveling screws more than 1 1/2" (3.8 cm) to prevent loss of stability.

## CONNECTING ADDITIONAL UNITS

**NOTE:**  
If necessary, sand  
countertop to form  
to wall.

**Step 2:** Position countertop so it extends 3/8" (0.95 cm) to 1/2" (1.3 cm) over each end of cabinet(s) and secure with #10 x 5/8" screws.

**Step 1:** If necessary, level and connect any additional storage units.




DA142600i

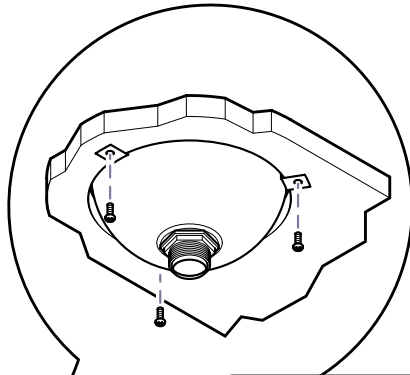
# SINK INSTALLATION & PLUMBING CONNECTIONS

**Step 3:** Install faucet and soap dispenser using instructions included with those items.

**Step 1:** Caulk around perimeter of hole, then position sink.

 **Equipment Alert**  
When installing a sink, Midmark recommends securing cabinet to wall. Failure to comply may result in damage to plumbing connections.

**NOTE:**  
All plumbing must be made by a licensed plumbing contractor and conform to local, city, and national codes pertaining to the installation.

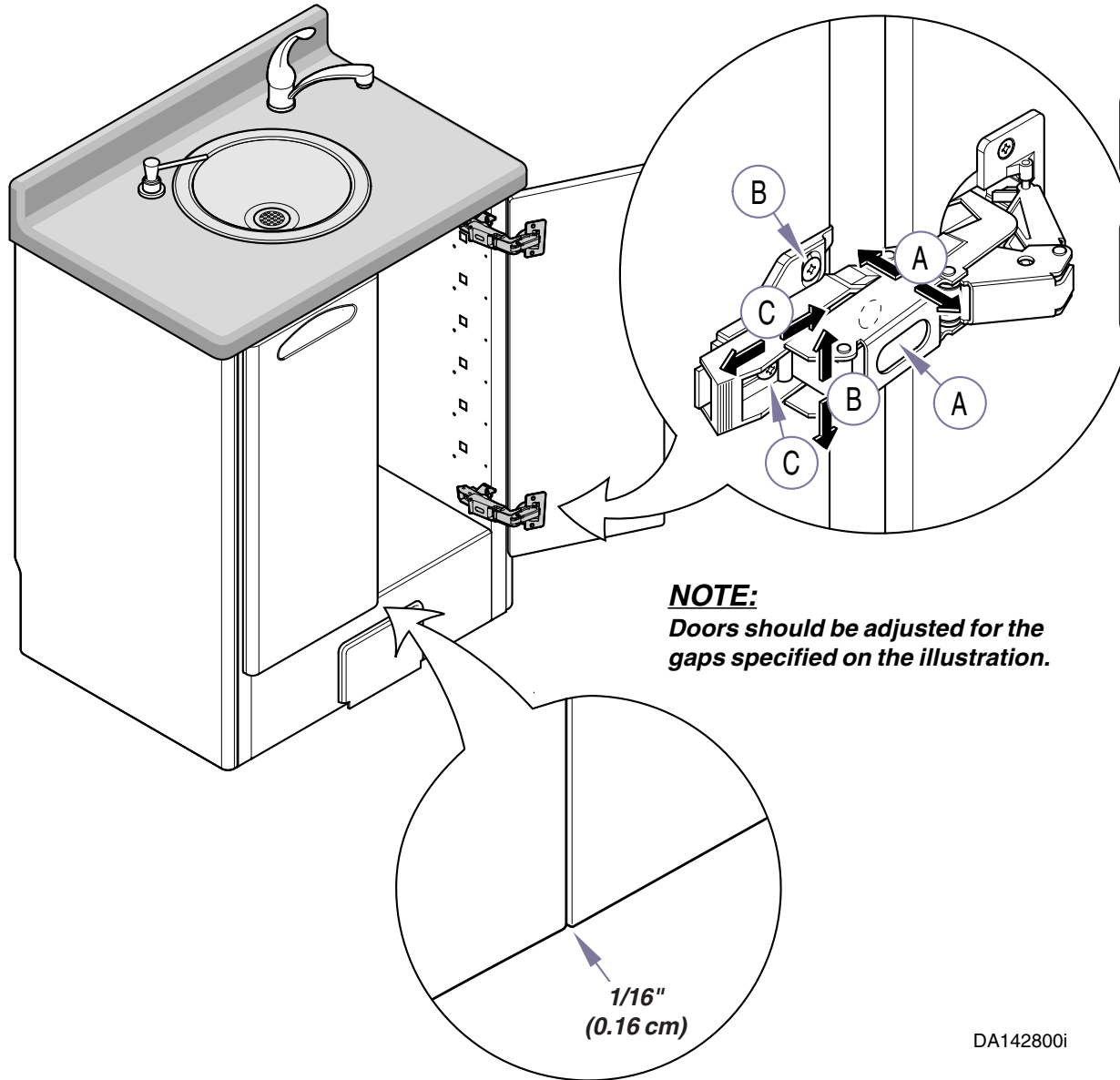


**Step 2:** Bend tabs upward and secure with #10 x 5/8" particle board screws.

**Step 4:** Refer to the instructions with Tapmaster™ faucet controller for installation procedure.

DA142700i

## DOOR ADJUSTMENT



**Step A:** *Side Adjustment*  
Turn screw (A) until door is in desired position.

**Step B:** *Height Adjustment*  
Loosen screw (B) approximately 1/4 turn, reposition door, tighten screw.

**Step C:** *Depth Adjustment*  
Loosen screw (C) reposition door, tighten screw.

**NOTE:**  
Doors should be adjusted for the gaps specified on the illustration.

DA142800i

Midmark Corporation  
60 Vista Drive  
P.O. Box 286  
Versailles, OH 45380-0286  
937-526-3662  
Fax 937-526-5542  
[www.midmark.com](http://www.midmark.com)

