



Chair Arm System [9A328 / 9A350]

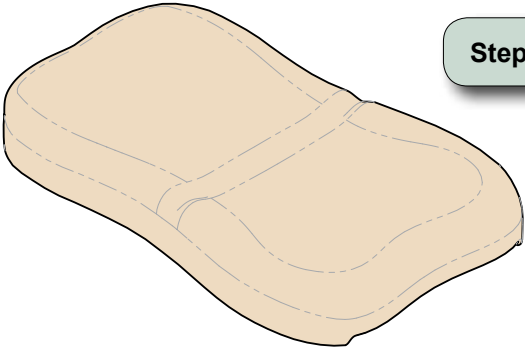
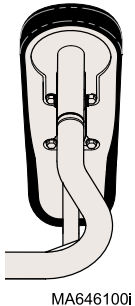
Contents:
 Installation 1
 Exploded Views:
 9A328 3
 9A350 4

Special Tools:
 none

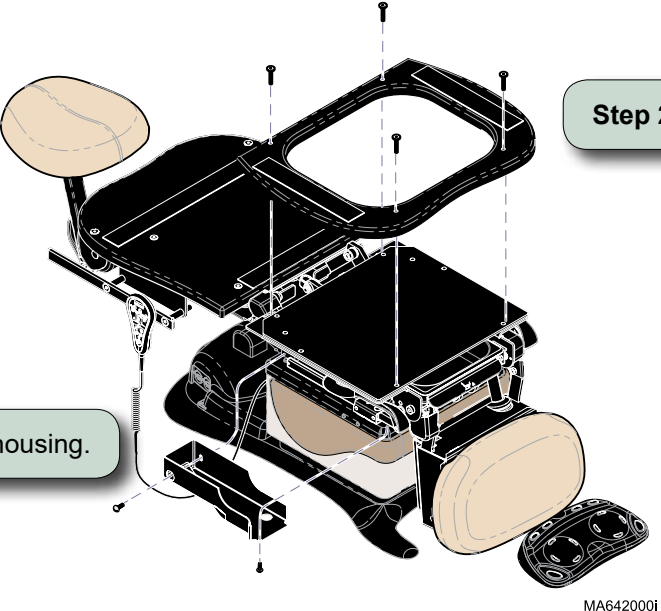
Intended Use:
 To provide patient support when mounting / dismounting chair.

Restrictions:
 Cannot use arm on same side as a base rail mounted 253 light.

Attention
 If installing chair arms only, steps 1 thru 4 are not required. Go to step 5.



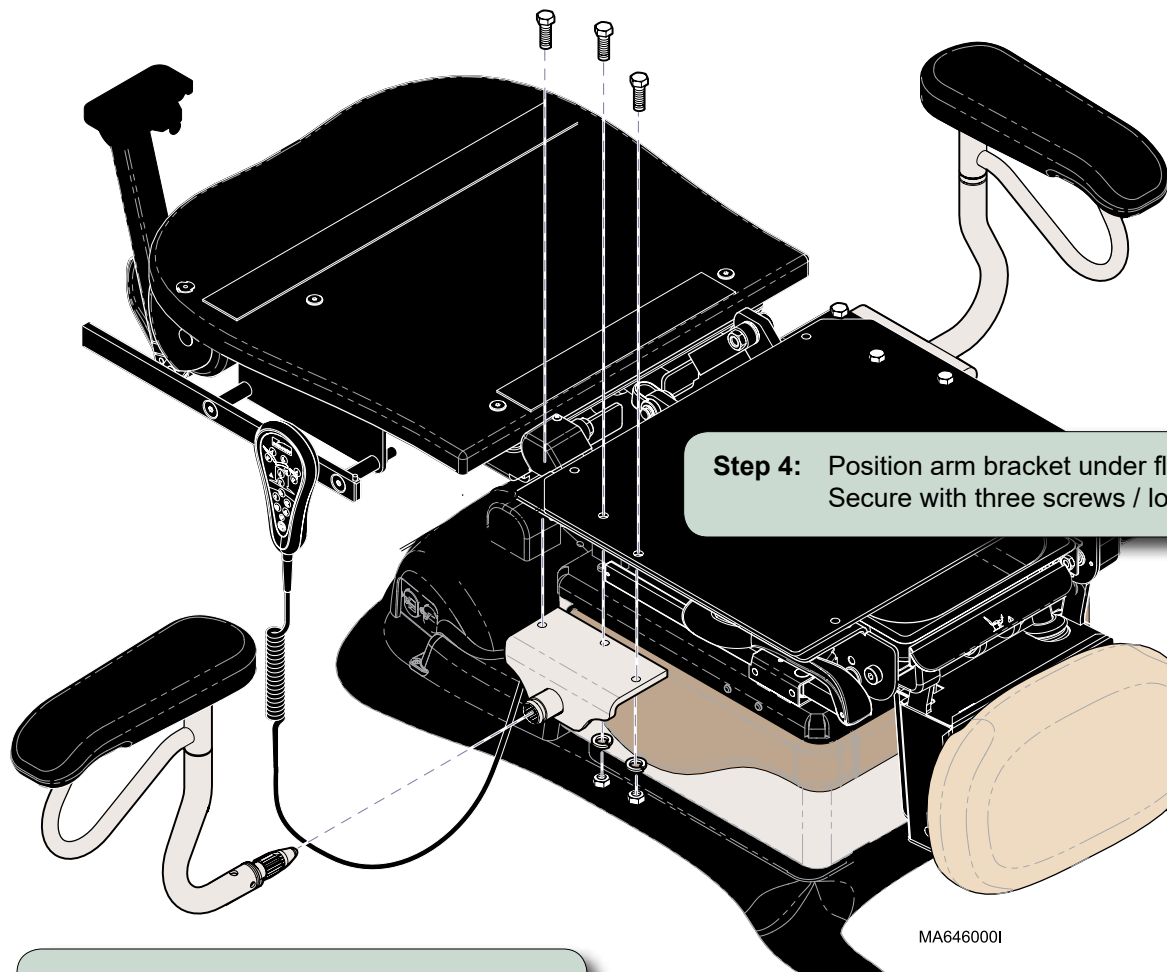
Step 1: Remove seat / back upholstery.



Step 2: Remove seat mounting board.

Step 3: Remove stirrup housing.

MA642000i



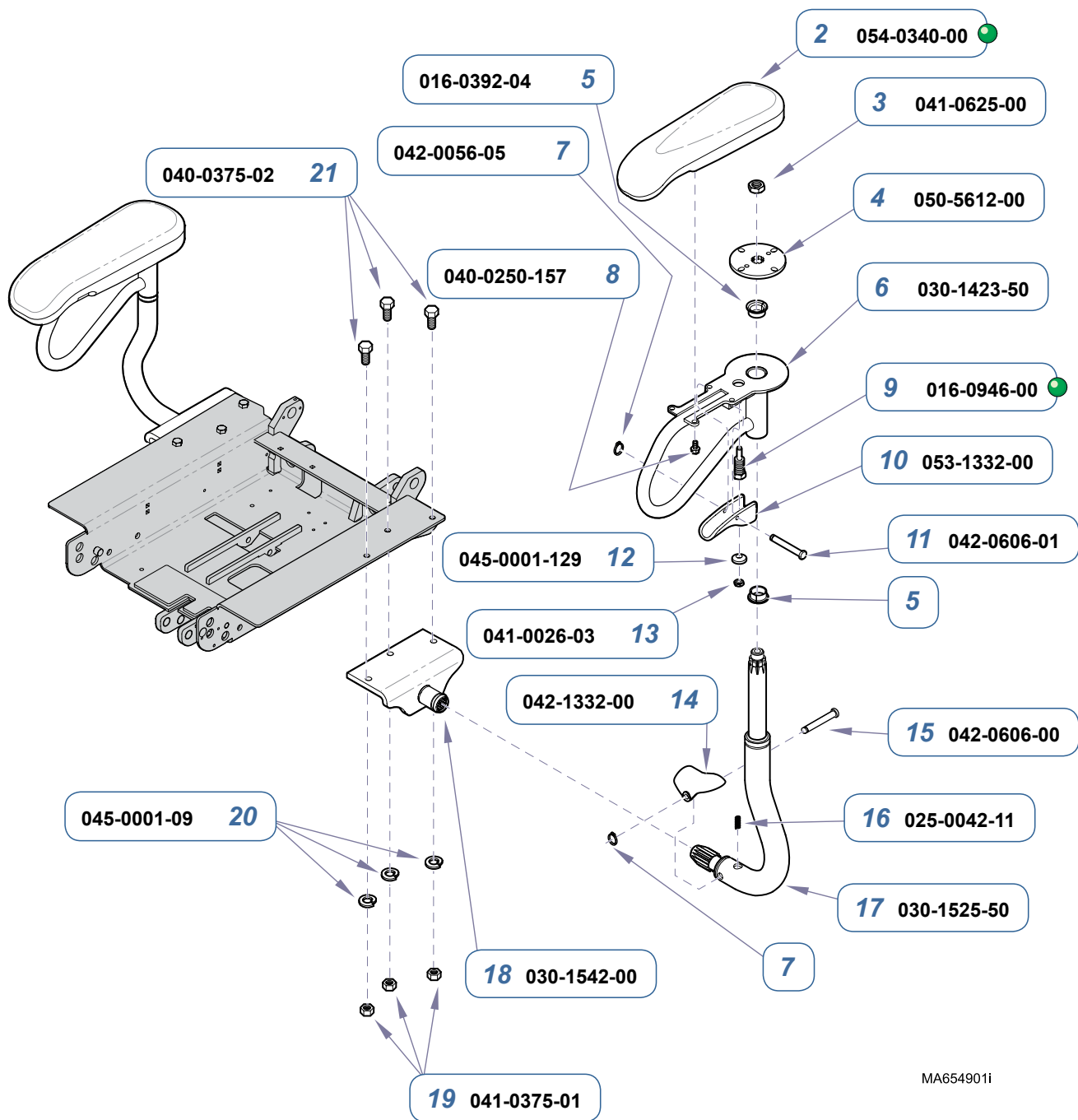
Step 4: Position arm bracket under flange of seat weldment. Secure with three screws / lockwashers / nuts.

Note: If socket has protective cap installed, remove it.

Step 5: Insert chair arm into socket until it locks into place.

Step 6: Replace stirrup housing, seat mtg. board, & upholstery. (Refer to page 1)

MA6460001



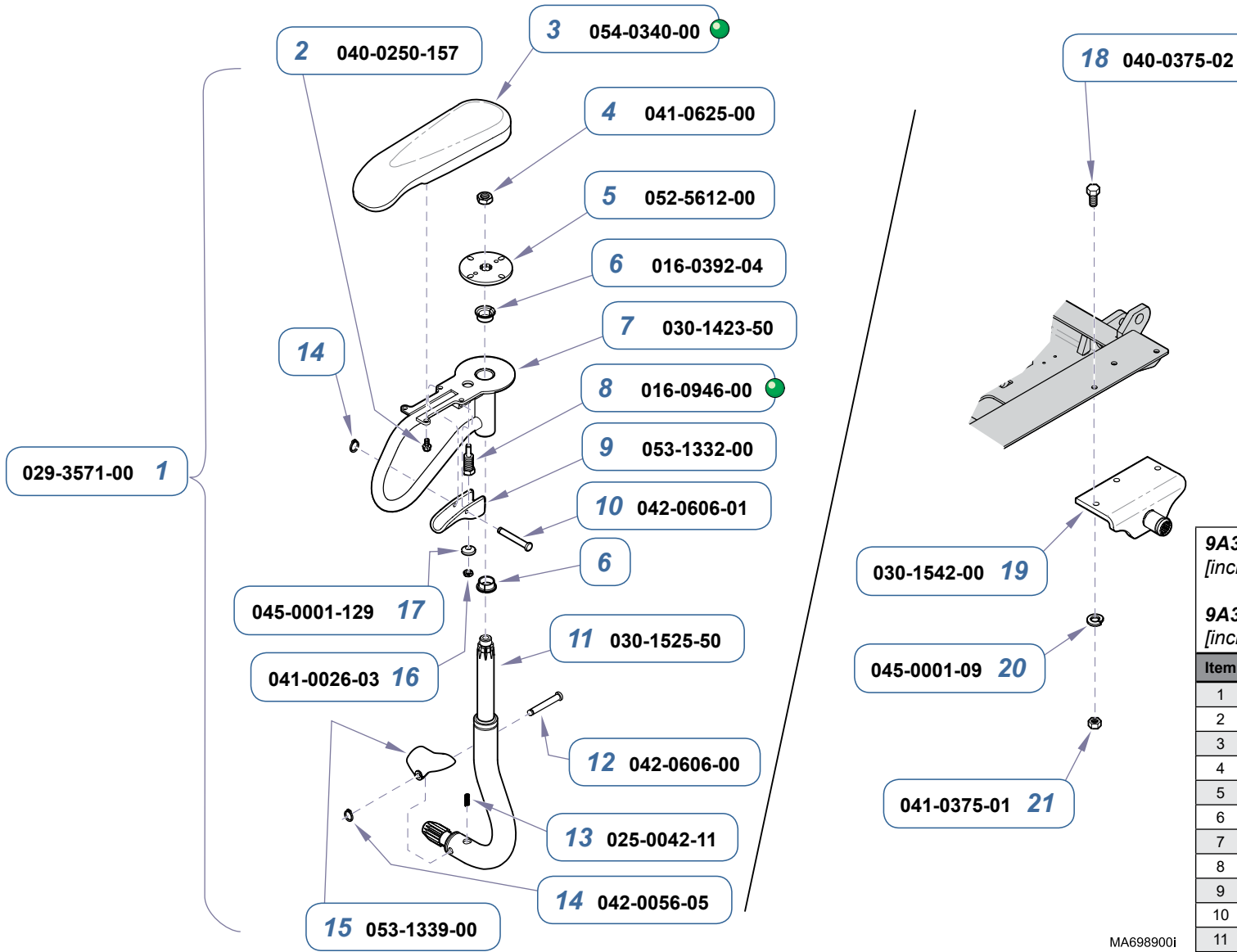
1 029-3298-00

9A328002 Chair Arms w/Brackets (set of 2)
(includes items 1 thru 21)

Item	Description	Qty.
1	• Arm Rest Assembly (includes items 2 thru 18)	2
2	•• Armrest	1
3	•• Nut	1
4	•• Lock Plate	1
5	•• Flange Bearing	2
6	•• Arm Rest Pull	1
7	•• Snap Ring	2
8	•• Screw	4
9	•• Indexing Plunger	1
10	•• Arm Rest Pivot Release	1
11	•• Clevis Pin	1
12	•• Spherical Washer	1
13	•• Nut	1
14	•• Arm Rest Pivot Release	1
15	•• Clevis Pin	1
16	•• Compression Spring	1
17	•• Arm Tube	1
18	•• Mounting Bracket	1
19	• Nut	3
20	• Lock Washer	3
21	• Bolt	3

MA654901i

Serial Numbers / Dates: all



9A350003 Chair Arms only
[includes two Armrest Assemblies (item 1)]

9A350002 Mounting Brackets only
[includes two bracket sets (items 18 thru 21)]

Item	Description	Qty.
1	• Arm Rest Assembly (<i>includes items 2 thru 18</i>)	2
2	•• Screw (4
3	•• Armrest	1
4	•• Nut	1
5	•• Lock Plate	1
6	•• Flange Bearing	2
7	•• Arm Rest Pull	1
8	•• Indexing Plunger	1
9	•• Arm Rest Pivot Release	1
10	•• Clevis Pin	1
11	•• Arm Tube	1
12	•• Clevis Pin	1
13	•• Compression Spring	1
14	•• Snap Ring	2
15	•• Arm Rest Pivot Release	1
16	•• Nut	1
17	•• Spherical Washer	1
18	• Bolt	6
19	• Mounting Bracket	2
20	• Lockwasher	6
21	• Nut	6

MA6989001

Serial Numbers / Dates: all