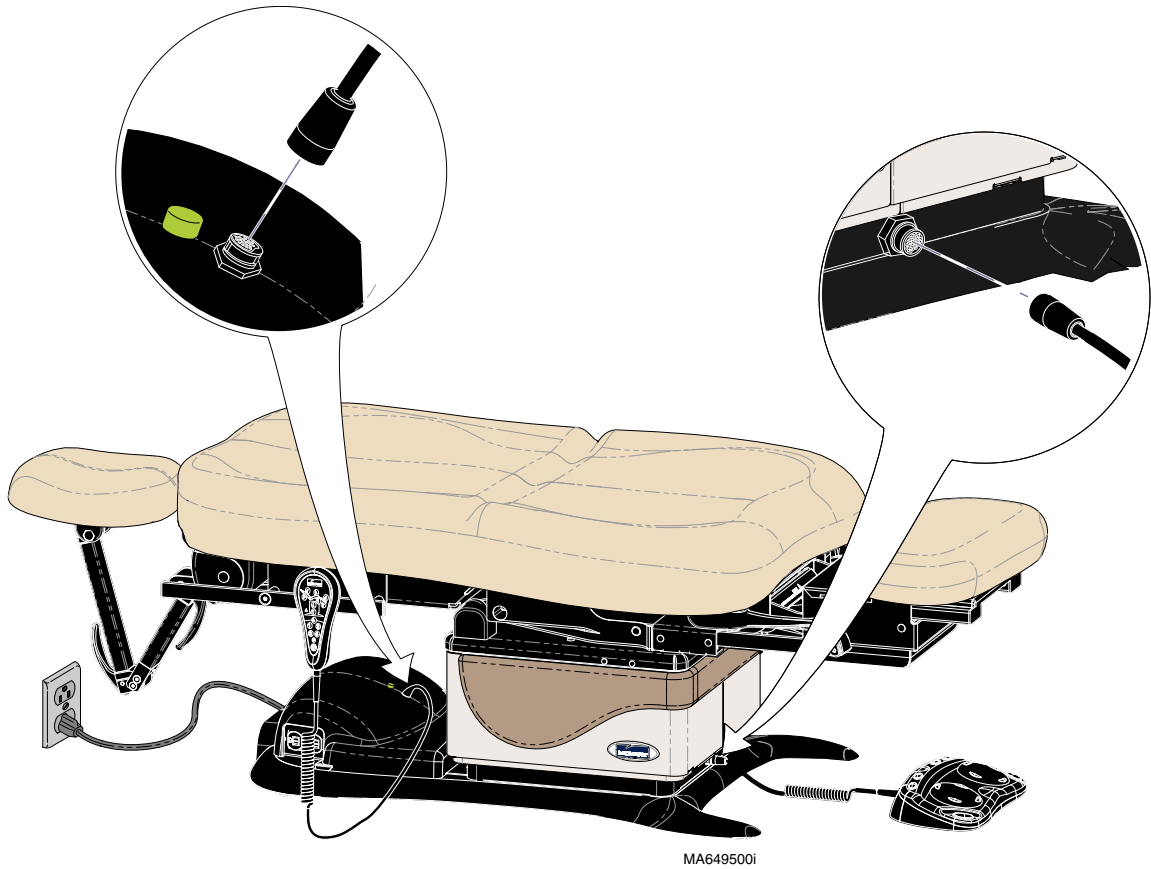




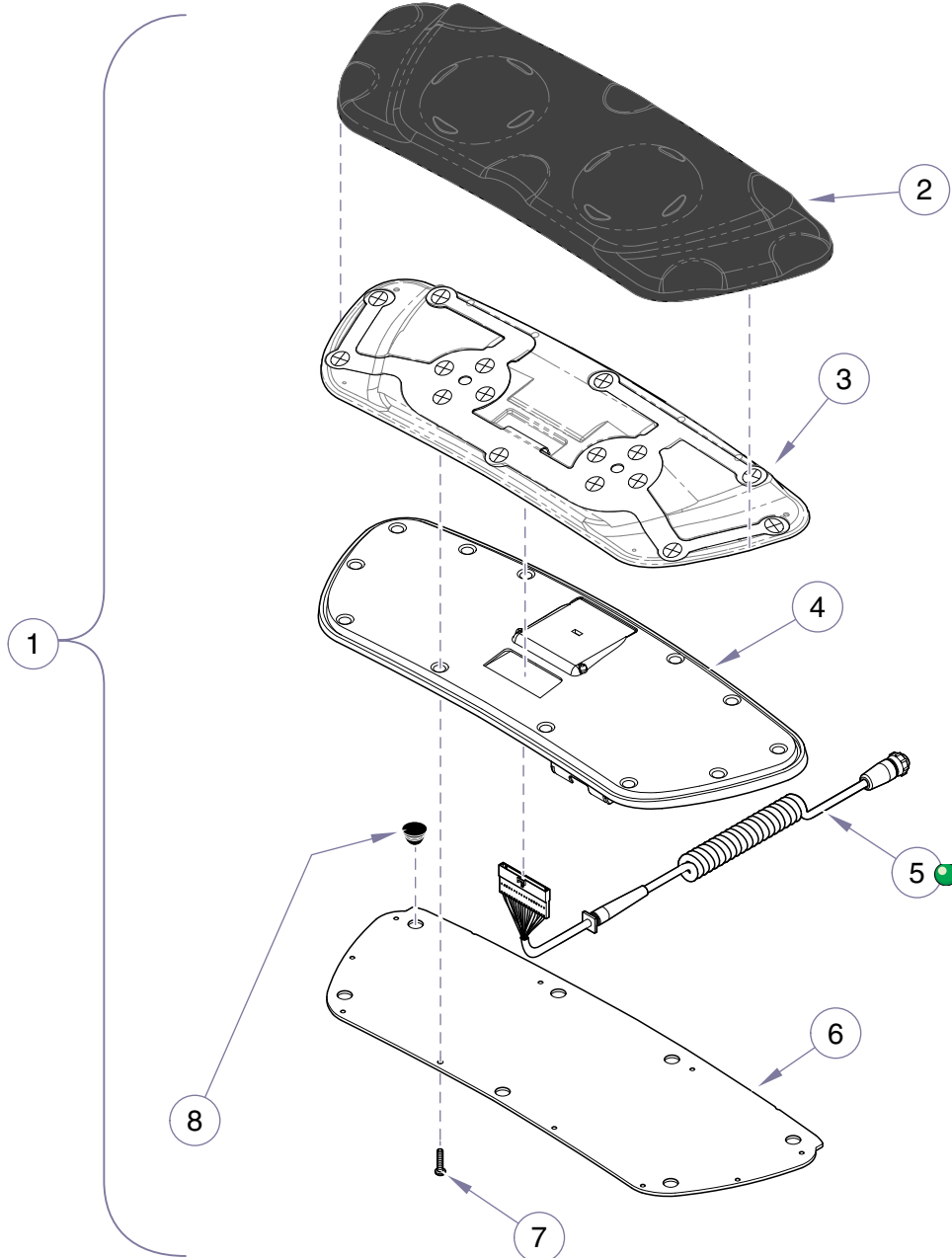
Universal Procedure Chair Foot / Hand Control Installation

Plug foot / hand control cord into connection port.
Note: The cord connector is “keyed” and must be oriented properly to connect.



NOTE: The hand / foot control connection ports are interchangeable.

Foot Control (Disc-style)

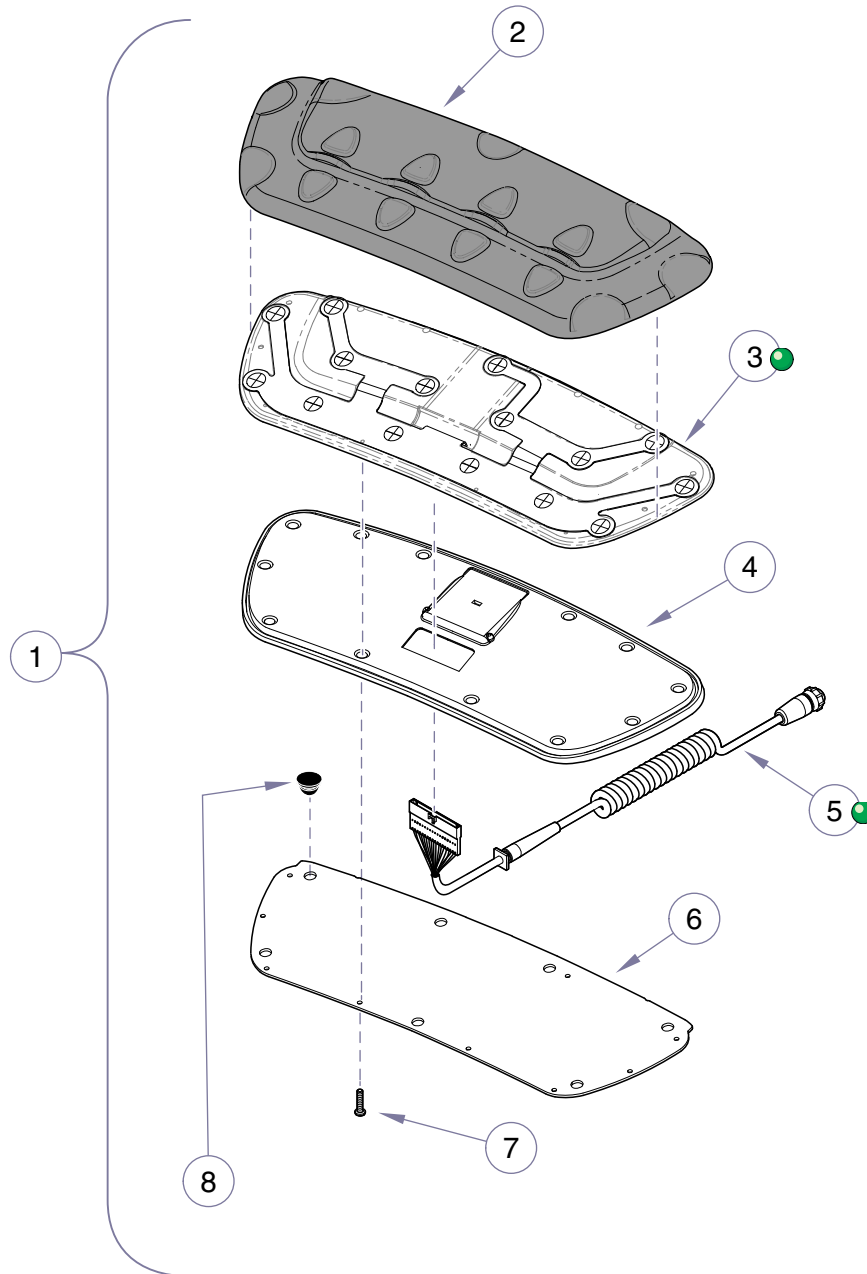


MA759801i

Item	Part No.	Description	Qty.	Item	Part No.	Description	Qty.
1		Disc-style Foot Control (incl. items 2 thru 9)		3	• 002-1024-00	• Switch Membrane Assembly	1
	9A370003	Basic (Ritter models)	1	4	• 053-1688-00-312	• Base	1
	9A370002	Non-Prog. (Midmark models)	1	5	• 015-1675-00	• Cord	1
	9A370001	Programmable (Midmark models)	1	6	• 050-6870-00-312	• Base Plate	1
2	•	• Keypad Assembly:		7	• 042-0168-00	• Screw (3.5mm x 10mm)	10
	029-3930-02	Basic (Ritter models)	1	8	• 053-1439-00	• Stem Bumper	7
	029-3930-01	Non-Prog. (Midmark models)	1	9	•	• IPX1 Label (not shown)	1
	029-3930-00	Programmable (Midmark models)	1				

Always Specify Model & Serial Number

Foot Control (Linear-style)



MA759601i

Item	Part No.	Description	Qty.	Item	Part No.	Description	Qty.
1		Linear-style Foot Control (incl. items 2 thru 9)		3	• 002-1025-00	• Switch Membrane Assembly	1
	9A371003	Basic (Ritter models)	1	4	• 053-1688-00-312	• Base	1
	9A371002	Non-Prog. (Midmark models)	1	5	• 015-1675-00	• Cord	1
	9A371001	Programmable (Midmark models)	1	6	• 050-6870-00-312	• Base Plate	1
2	•	• Keypad Assembly:		7	• 042-0168-00	• Screw (3.5mm x 10mm)	10
	053-1685-02-312	Basic (Ritter models)	1	8	• 053-1439-00	• Stem Bumper	7
	053-1685-01-312	Non-Prog. (Midmark models)	1	9	•	• IPX1 Label (not shown)	1
	053-1685-00-312	Programmable (Midmark models)	1				

Always Specify Model & Serial Number