



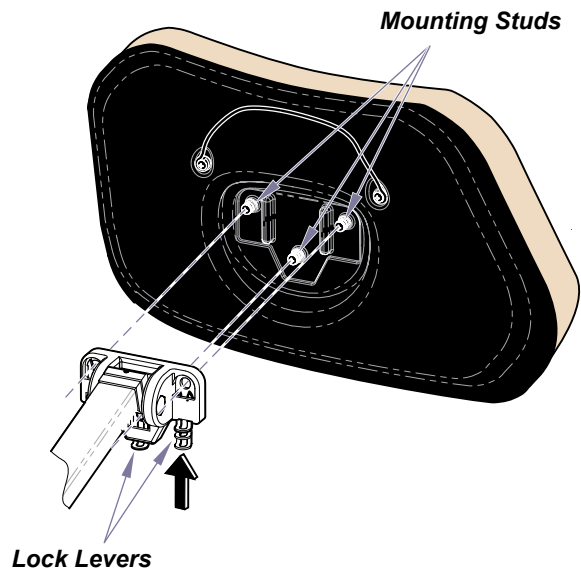
# UPT Upholstery Installation - Ritter

**Applies to Models:**

230 (all)	9A342
75 (-019)	9A343
9A331	
9A338	

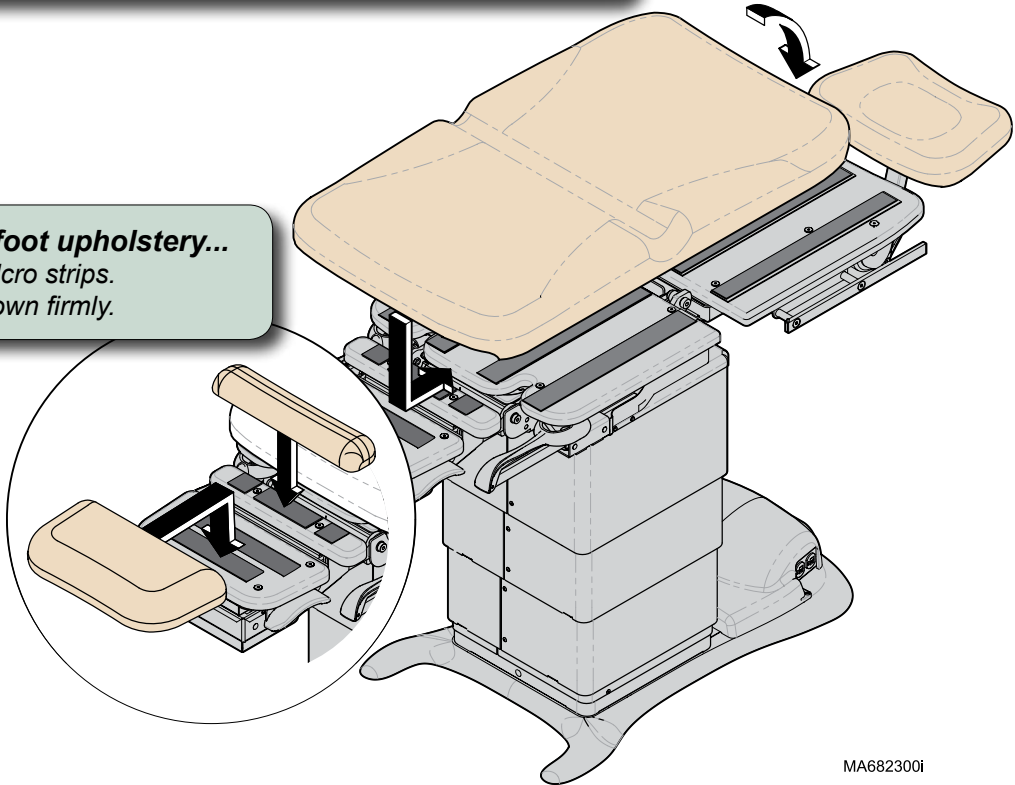
**Note**  
 Oversized Headrest Accessories for Midmark 630 models:  
 9A331001-xxx ..... Standard and UltraFree upholstery  
 9A338001-xxx ..... Standard and UltraFree upholstery- Cal 133  
 9A342001-xxx ..... Ultra-Premium upholstery  
 9A343001-xxx ..... Ultra-Premium uph. - Cal 133

**To install headrest upholstery...**  
 A) Insert mounting studs into holes in pivot mount.  
 B) Push three lock levers inward to lock in place.



**To install seat / back upholstery...**  
 A) Position front of seat section against mounting board.  
 B) Lay upholstery flat, then press down firmly.

**To install foot upholstery...**  
 A) Align velcro strips.  
 B) Press down firmly.



MA682300i