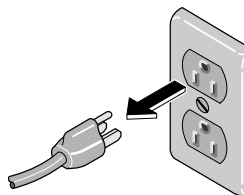

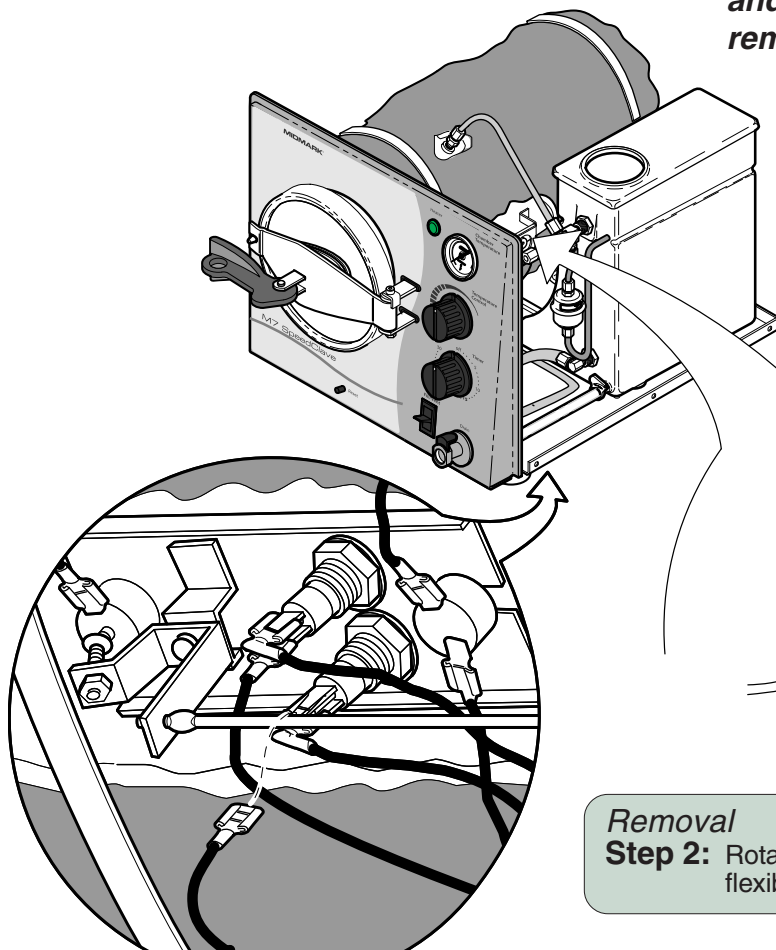


Relay Removal

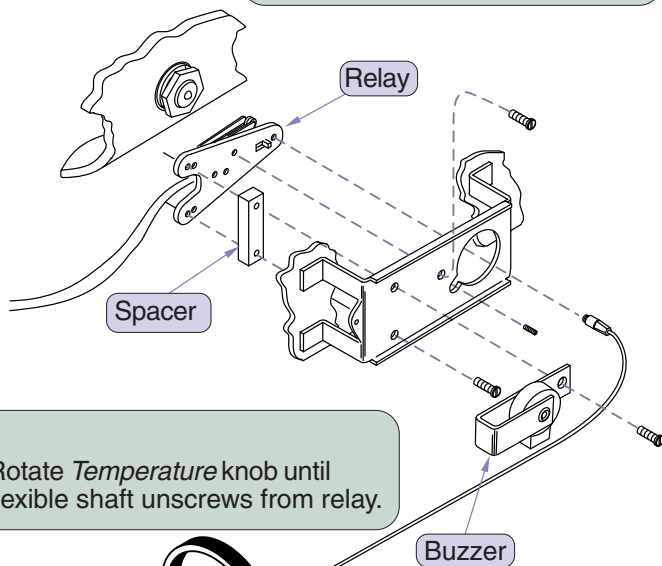
<u>Kit Components:</u>	<u>Qty</u>
Relay Assembly	1
Spacer	1
Screws, #6-32 x 7/16" Phillips	2
Screws, #6-32 x 3/8" Phillips	1
Installation Instruction	1



Warning

Disconnect Power and allow unit to cool before removing parts.



Removal Step 4: Remove timer buzzer. Remove relay & spacer.



Removal Step 2: Rotate *Temperature* knob until flexible shaft unscrews from relay.

Removal Step 3: Disconnect two relay wires. (one from heating element & one from timer - not shown)

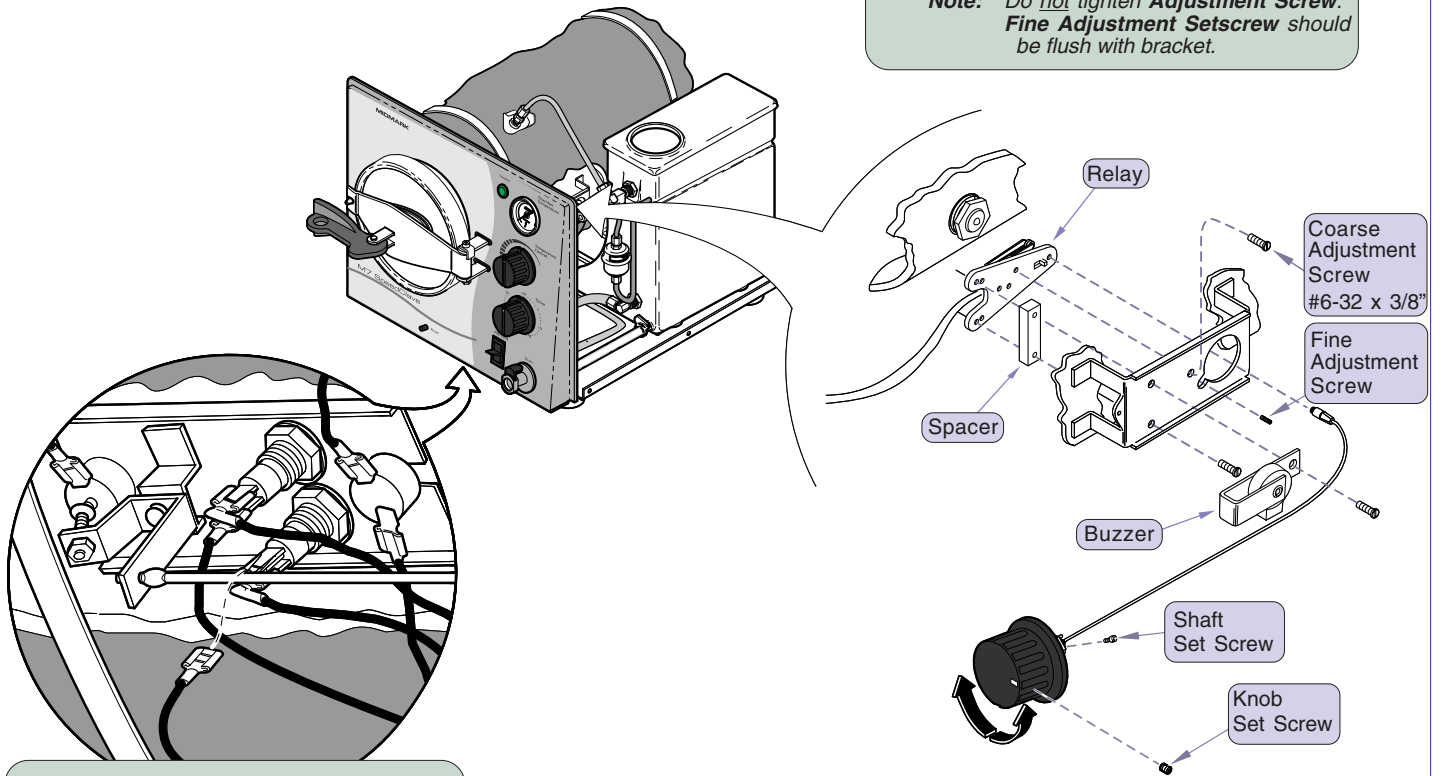
Removal Step 1: Remove setscrew from flexible shaft.

Relay Installation

Installation

Step 1: Install relay & spacer.
Install timer buzzer.

Note: Do *not* tighten **Adjustment Screw**.
Fine Adjustment Setscrew should be flush with bracket.



Installation

Step 2: Connect two relay wires.
(one to heating element & one to timer - not shown)

Installation

(Apply hi-temp lubricant to threads of flexible shaft)

Step 3: Turn the *Temperature* knob until flexible shaft screws all the way into relay.
Rotate knob back (*counter-clockwise*) 1 1/2 turns, then install **Shaft Setscrew**.

Installation

Step 4: Turn the *Temperature* knob *counter-clockwise* until it hits the stop.
Hold knob in place, then loosen **Knob Setscrew**.
Rotate knob so that white mark is at 3:00 position, then tighten knob setscrew.

Installation

Step 5: Perform *Relay Adjustment*.

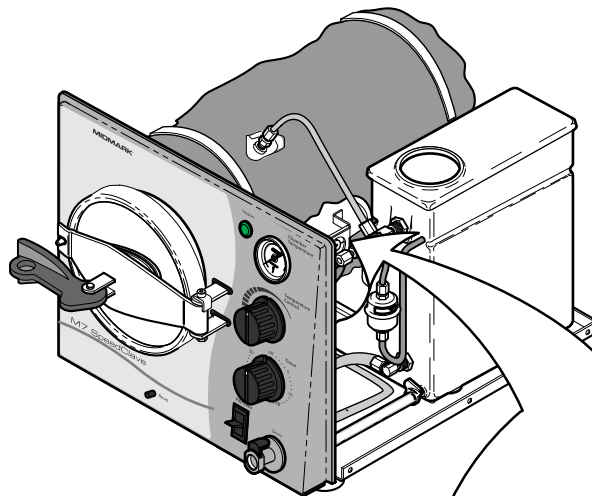
MA674501i

Relay Adjustment



Warning

In order to perform adjustments the sterilizer must be operating with the covers off. Use care to prevent injury as the unit will be hot and have exposed electrical terminals.



Relay Adjustment

Step 1: Fill chamber with water. Close & latch door. Set *Timer* knob to 30 minutes.

Relay Adjustment

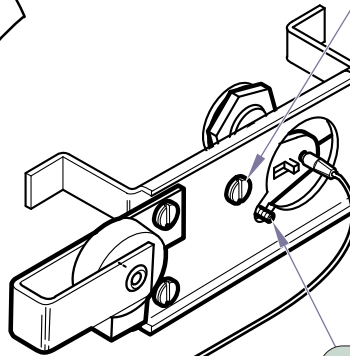
Step 2: Turn *Temperature* knob to *maximum* setting.

Relay Adjustment

Step 4: Allow chamber to reach its *maximum* temperature .

Relay Coarse Adjustment

Step 5: Adjust screw until temperature gauge reads slightly above 270°F (132°C).

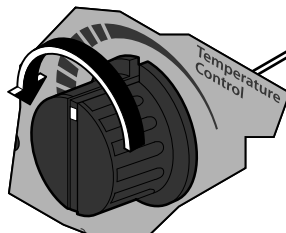


Relay Adjustment

Step 3: Loosen setscrew 2-3 turns.

Relay Fine Adjustment

Step 6: Adjust setscrew until temperature gauge reads 270-271°F (131-132°C).



MA674400i