



Oversized Footrest (24 in. wide) [9A337, 9A341, 9A344, 9A345, 9A421]

Contents:
 Installation 1
 Exploded View 3

Special Tools:
 none

Intended Use:
 To provide additional support for patients' legs.

Restrictions:
 Chair stirrups must be removed.
 Cannot be used in conjunction with:
 Caster Base 9A330

Step 1: Remove footrest upholstery.

Midmark Footrest:

Ritter Footrest:

Step 2: Remove mtg. board.

Step 5: Remove stirrup & guide.
 (Repeat for other stirrup)

Step 4: Remove stop screw.

Step 3: Remove screw, then pivot
 stirrup cover downward.

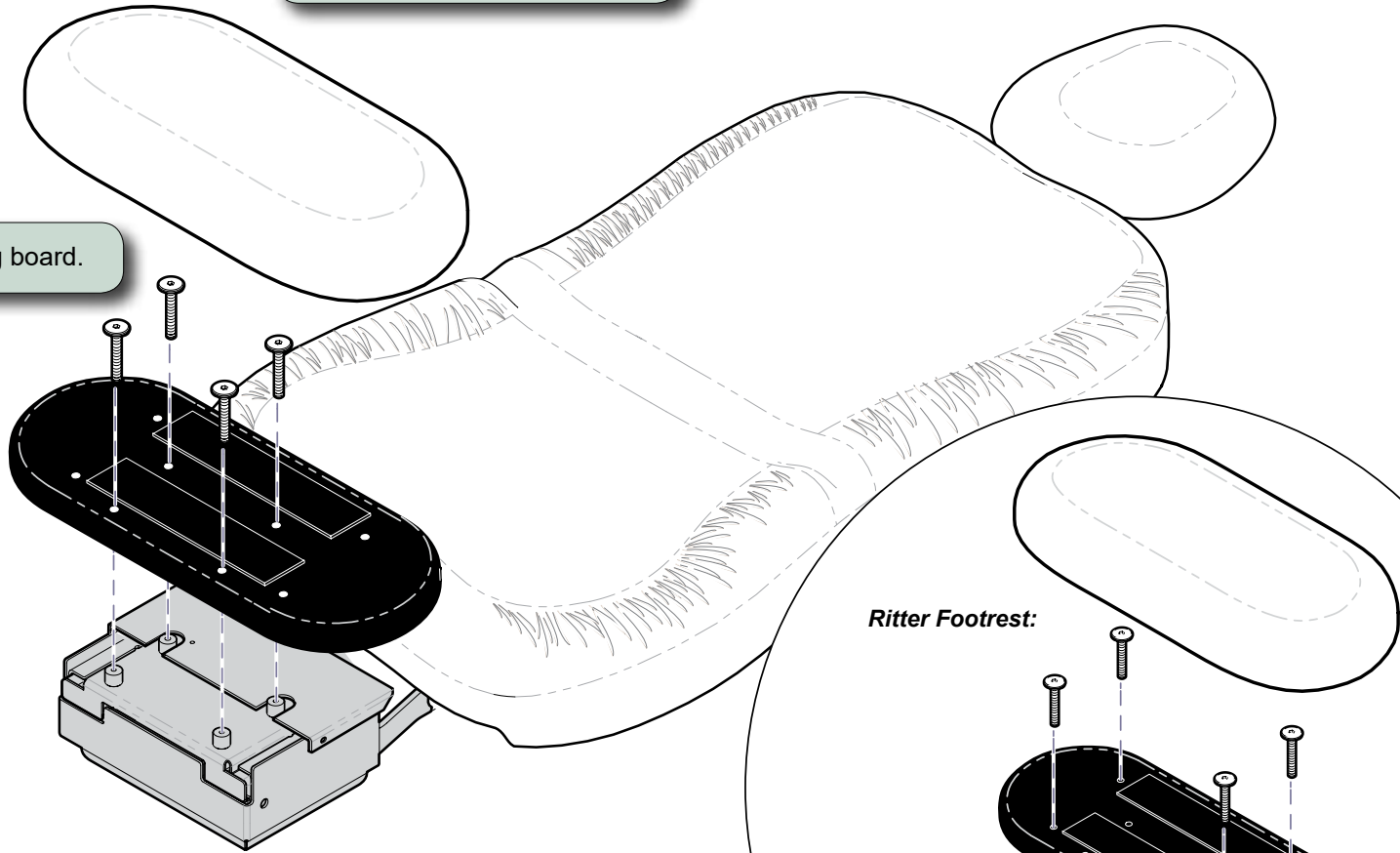
Step 6: Move stirrup covers back
 into place, then install screws.

MA6832001

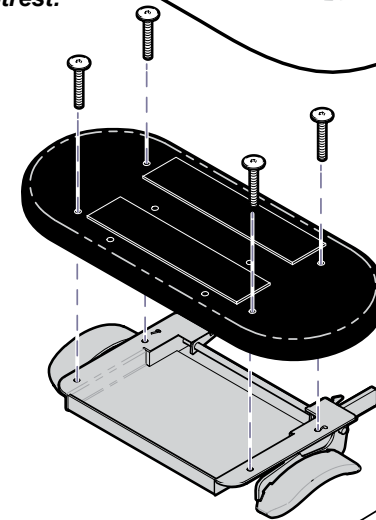
Midmark Footrest:

Step 8: Install Upholstery.

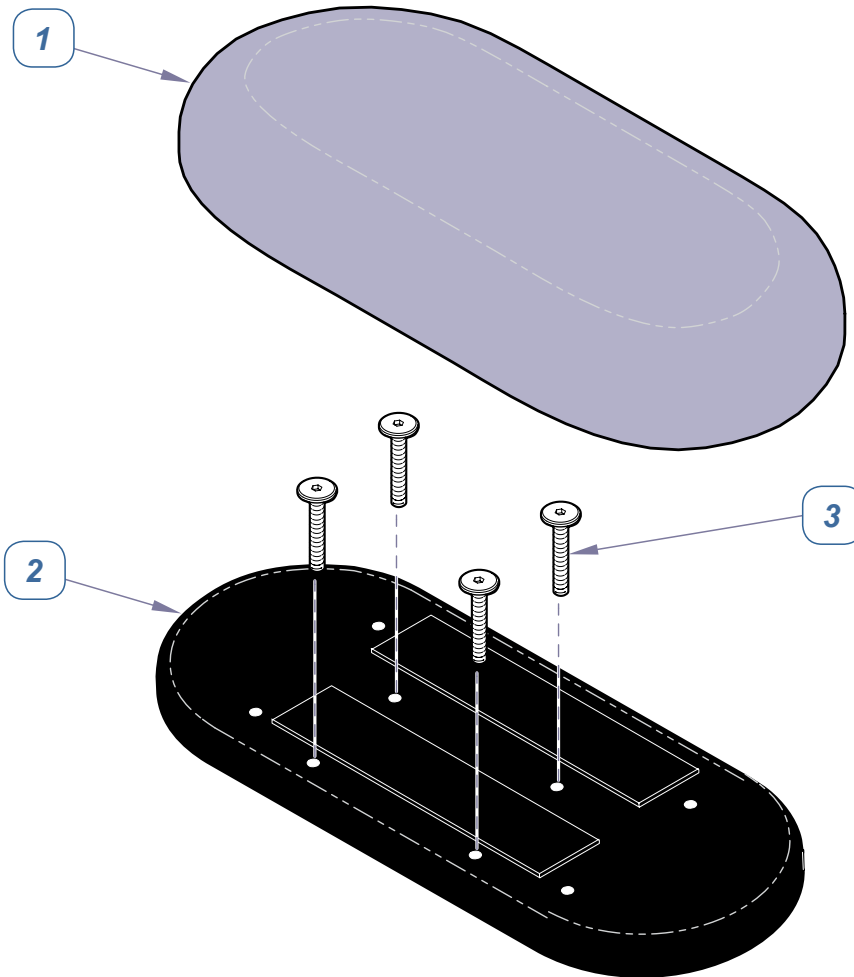
Step 7: Install mounting board.



Ritter Footrest:



MA683300i



MA683400i

Oversized Footrest (24 in.)		
<i>(includes items 1 & 2):</i>		
9A337001-xxx	Standard & UltraFree Upholstery	
9A341001-xxx	Standard & UltraFree - Cal 133	
9A344001-xxx	Ultra-Premium Upholstery	
9A345001-xxx	Ultra-Premium-Cal 133	
9A421001-xxx	PVC-free Upholstery	
Item	Description	Qty.
1	• Upholstered Footrest (24 in. wide)	1
2	• Mounting Board	1
3	Screws are <u>not</u> included w/ this accessory. Refer to service manual for the chair.	

Serial Numbers / Dates:

all