



Adjustable Chair Arm System Setup Guide [9A314001, 9A627001]

Contents:
 Installation 1
 Exploded View..... 2

Special Tools:
 none

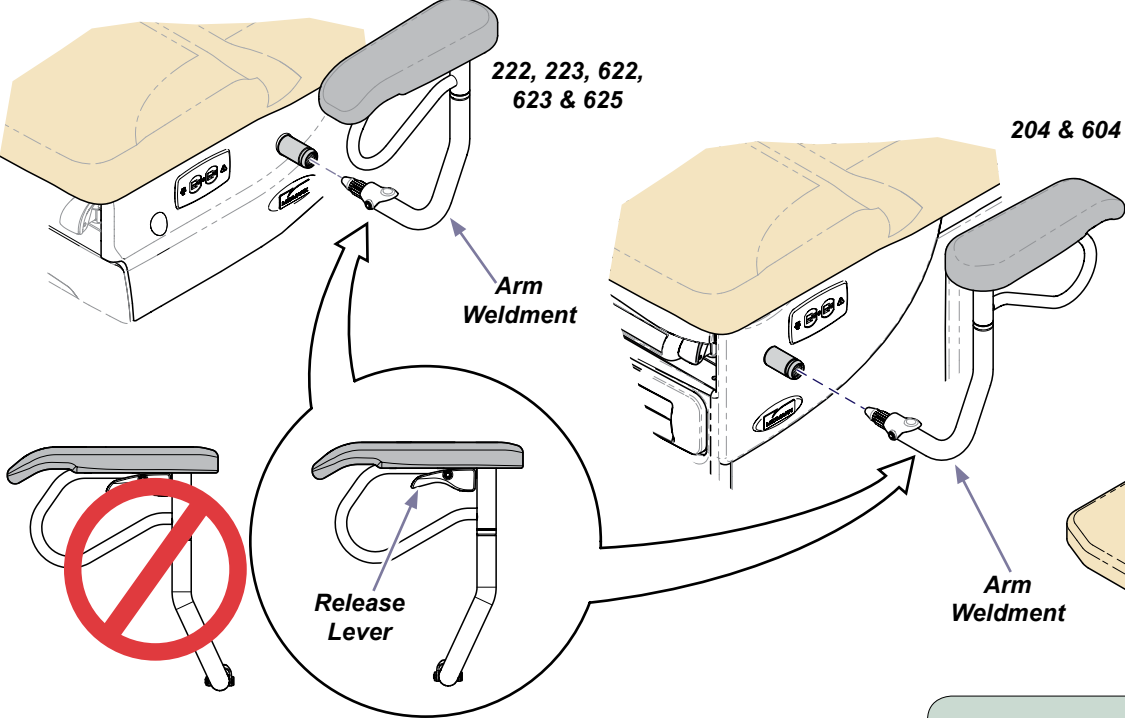
Intended Use:
 To provide support when mounting / dismounting table.

Requirements (Bracket sets):

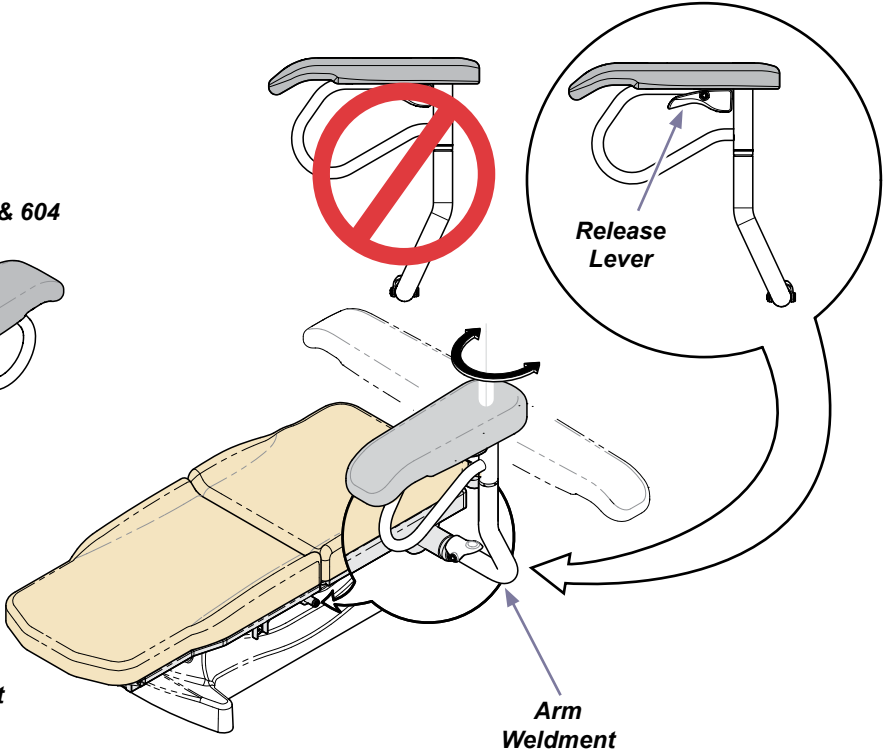
204 / 604.....	9A354003
222 / 223 / 622 / 623.....	9A314005
244.....	none
625.....	9A314005 / 9A314007

To install chair arms...
 A) Position chair arm as indicated. (see Note)
 B) Insert arm into socket until latch locks arm into place.

Note: Be sure the angle of the arm weldment tube is properly positioned for the chair model. See illustrations for details.



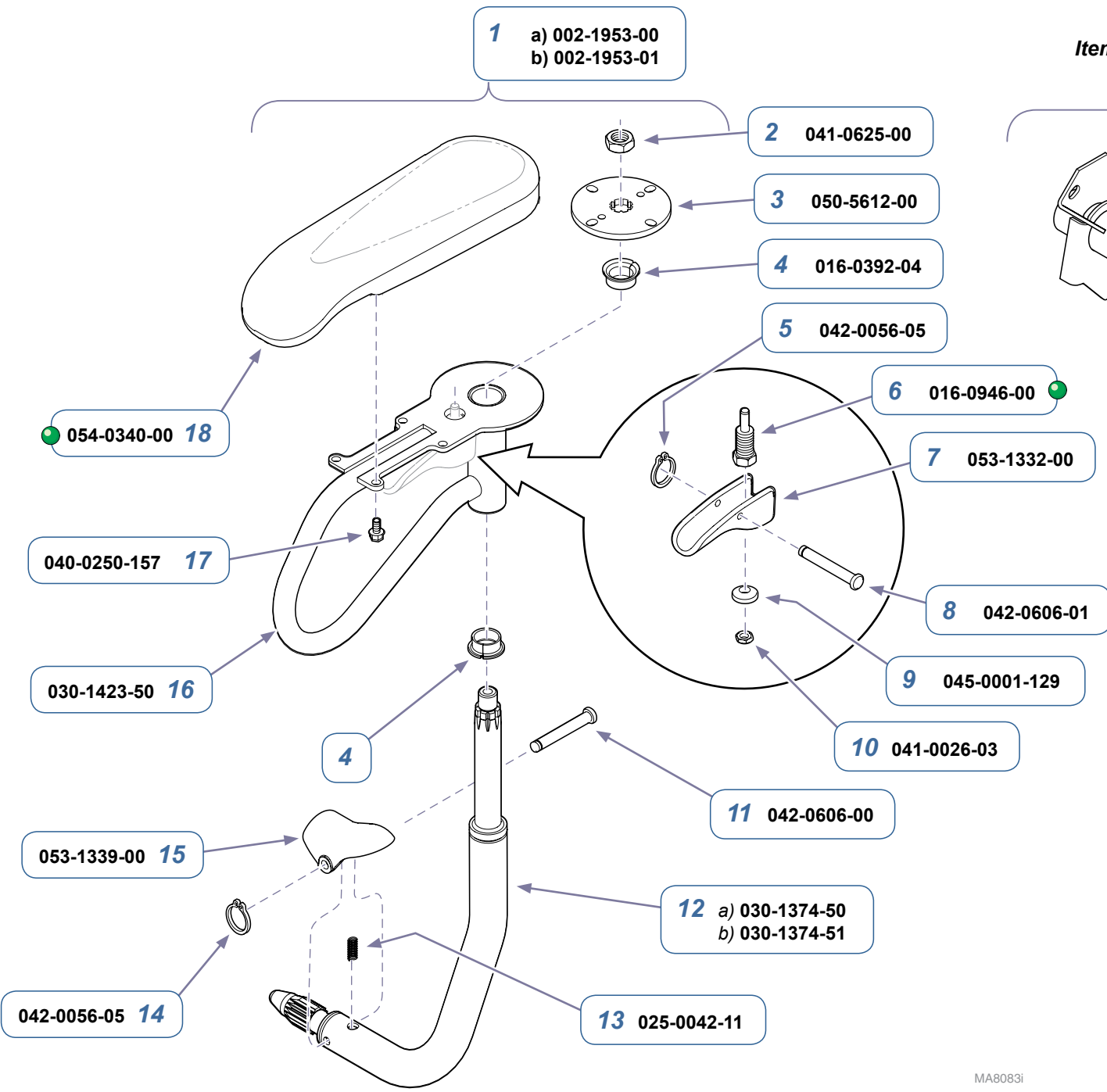
Model: 244:
 Arm weldment tube must angle toward FOOT end of table



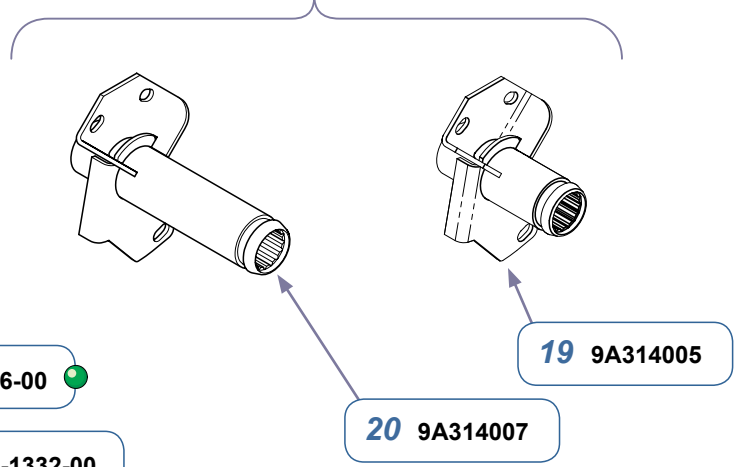
Models: 204 / 604 / 222 / 223 / 622 / 623 / 625:
 Arm weldment tube must angle toward HEAD end of table

To position chair arm...
 A) Squeeze release lever.
 B) Rotate chair arm to desired position.

MA9222-11



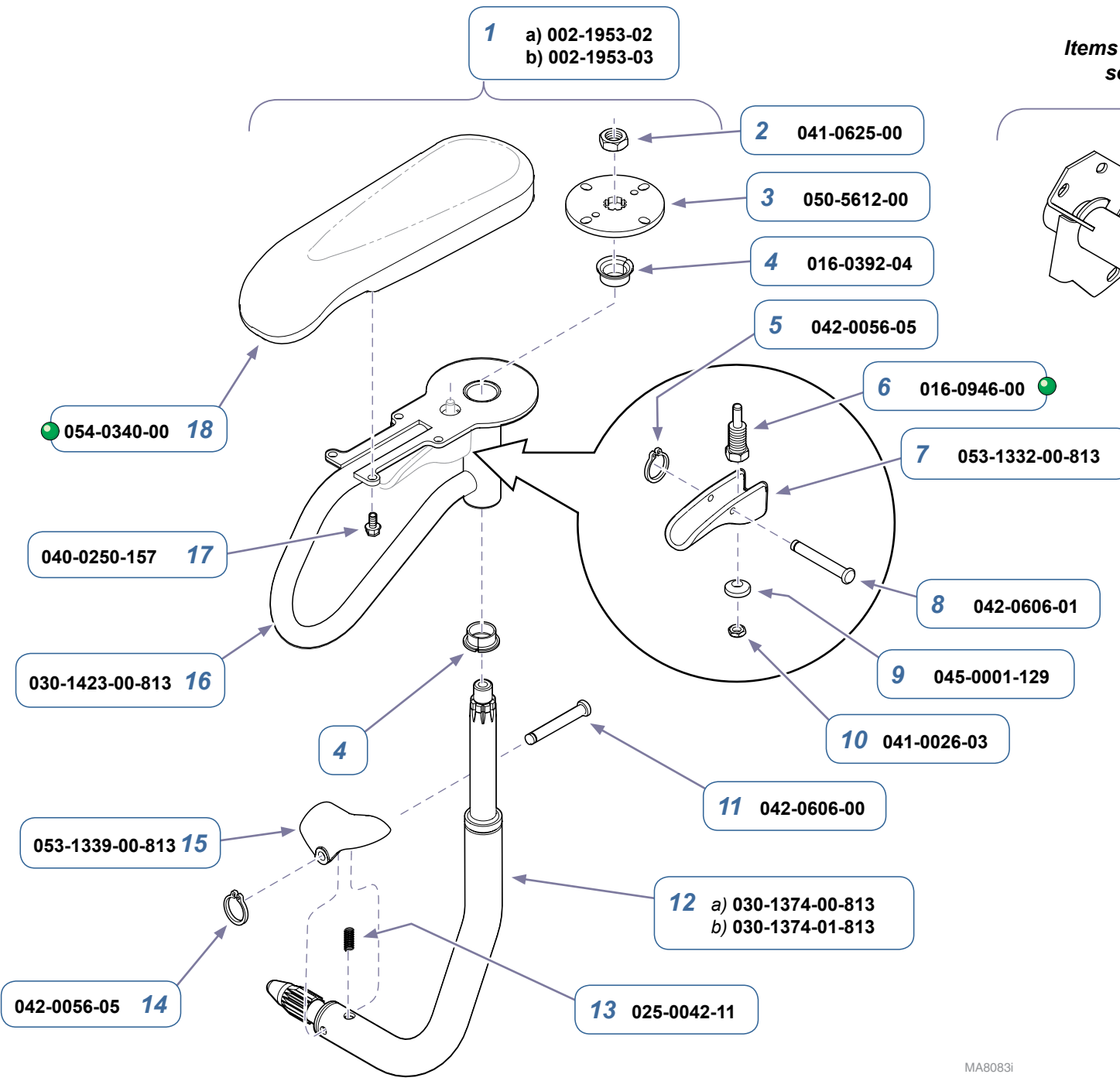
Items 19 & 20 are required bracket sets and are not included.



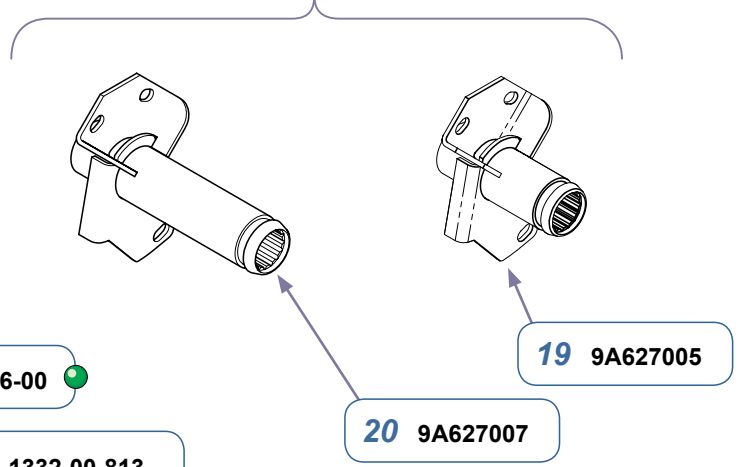
9A314001 Adjustable Chair Arm Set (includes items 1 thru 18)		
Item	Description	Qty.
1	• Chair Arm Assembly (includes items 2 thru 18) a) RH: 204 / 604 / 222 / 223 / 622 / 623 / 625 LH: 244 b) LH: 204 / 604 / 222 / 223 / 622 / 623 / 625 RH: 244	1 1
2	•• Nut	1
3	•• Lock Plate	1
4	•• Flange Bearing	2
5	•• Snap Ring	1
6	•• Indexing Plunger	1
7	•• Release Handle	1
8	•• Clevis Pin	1
9	•• Spherical Washer	1
10	•• Nut	1
11	•• Clevis Pin	1
12	•• Arm Weldment a) RH: 204 / 604 / 222 / 223 / 622 / 623 / 625 LH: 244 b) LH: 204 / 604 / 222 / 223 / 622 / 623 / 625 RH: 244	1 1
13	•• Compression Spring	1
14	•• Snap Ring	1
15	•• Retainer Clip	1
16	•• Armrest Pull	1
17	•• Screw	4
18	•• Armrest Pad (Black only)	1
19	Bracket Set Accy (for standard upholstery)	Ref
20	Bracket Set Accy (for 32" wide upholstery)	Ref

Serial Numbers / Dates:	9A314001 All
--------------------------------	-----------------

MA8083i



Items 19 & 20 are required bracket sets and are not included.



9A627001 Adjustable Chair Arm Set
(includes items 1 thru 18)

Item	Description	Qty.
1	• Chair Arm Assembly (includes items 2 thru 18) a) RH: 204 / 604 / 222 / 223 / 622 / 623 / 625 LH: 244 b) LH: 204 / 604 / 222 / 223 / 622 / 623 / 625 RH: 244	1
2	•• Nut	1
3	•• Lock Plate	1
4	•• Flange Bearing	2
5	•• Snap Ring	1
6	•• Indexing Plunger	1
7	•• Release Handle	1
8	•• Clevis Pin	1
9	•• Spherical Washer	1
10	•• Nut	1
11	•• Clevis Pin	1
12	•• Arm Weldment a) RH: 204 / 604 / 222 / 223 / 622 / 623 / 625 LH: 244 b) LH: 204 / 604 / 222 / 223 / 622 / 623 / 625 RH: 244	1
13	•• Compression Spring	1
14	•• Snap Ring	1
15	•• Retainer Clip	1
16	•• Armrest Pull	1
17	•• Screw	4
18	•• Armrest Pad (Black only)	1
19	Bracket Set Accy (for standard upholstery)	Ref
20	Bracket Set Accy (for 32" wide upholstery)	Ref

Serial Numbers / Dates:	9A627001 All
--------------------------------	-----------------

MA8083i