



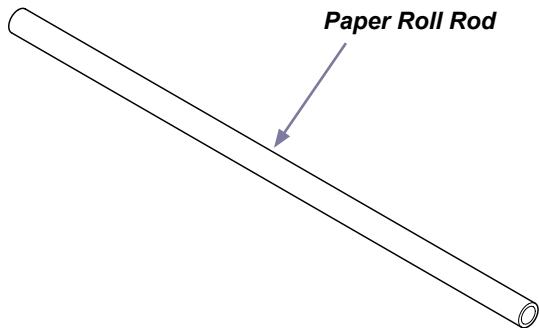
Manual Exam Table Installation

Applies to Models:
204 (all)
604 (all)

Language of origin: English

Equipment Alert
When moving the table, you must adhere to the following instructions.
NEVER: a) use stirrups to lift table
b) lift table by upholstered top

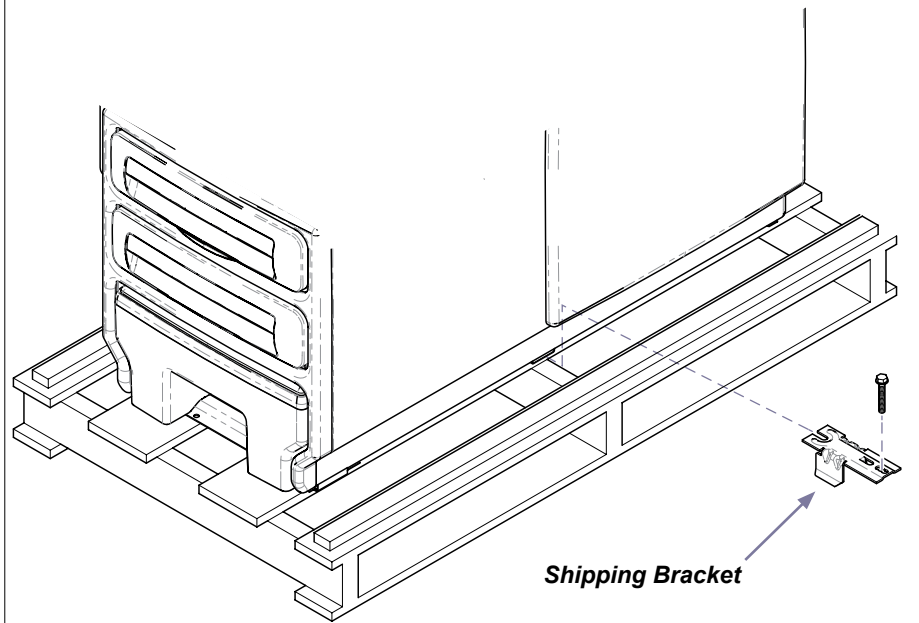
ATTENTION!
Each table is shipped with a paper roll rod.
The installation instructions are packaged with the upholstered top. **DO NOT DISCARD THE ROD!**



Caution
Heavy object. Can cause muscle strain or back injury.
Use lifting aids and proper lifting techniques when moving.

Step 1: Remove table from skid.
A) Remove bolts and two shipping brackets.
B) Remove table from skid*.
C) Move table to desired location.

*Note: Prevent damage to floor by placing cardboard / blanket under table.

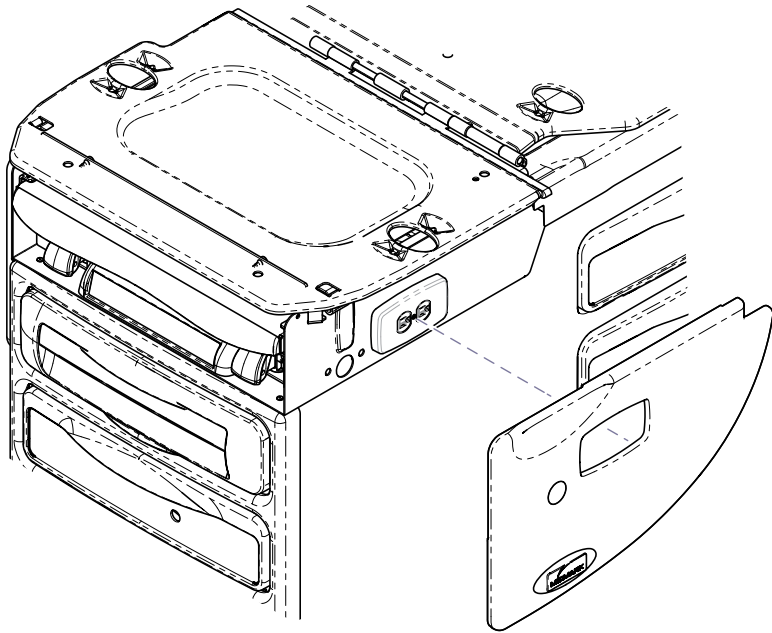


MA8093i

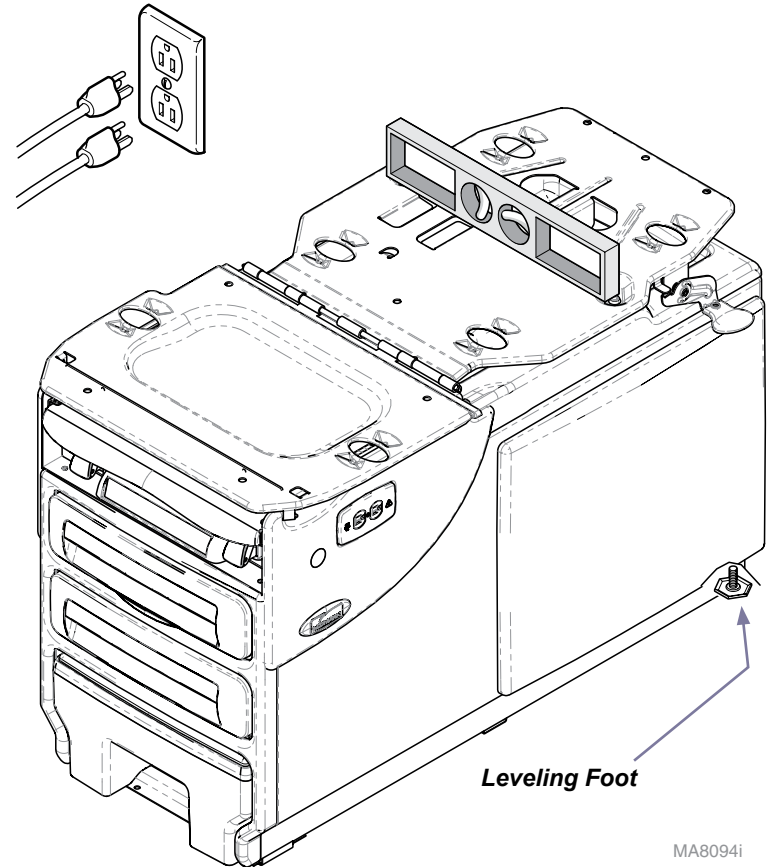
604 only

Step 2: Install magnetic side cladding.

- A) Position side cladding so that top edge rests on top edge of the upperwrap.
- B) Repeat for cladding on the opposite side.



Before connecting the Midmark device power cord into an electrical power source outlet, it is recommended to contact a local licensed electrician or a local Authority Having Jurisdiction over the internal building power distribution to verify that the device when powered up will comply with all local electrical codes. Use the electrical power rating marked on the device when determining the appropriate electrical branch circuit and outlet requirements. For 115V rated device models with a current rating at or above 12 Amps, a dedicated branch circuit may be required if the branch circuit protection is provided by a 15 Amp breaker.



Step 3: Connect power cord / Level table.

- A) Connect power cord(s) to facility receptacle*.
- B) Adjust two leveling feet under head-end of table.

*Note: Some models have two power cords. Both cords must be connected for proper operation

(Optional)

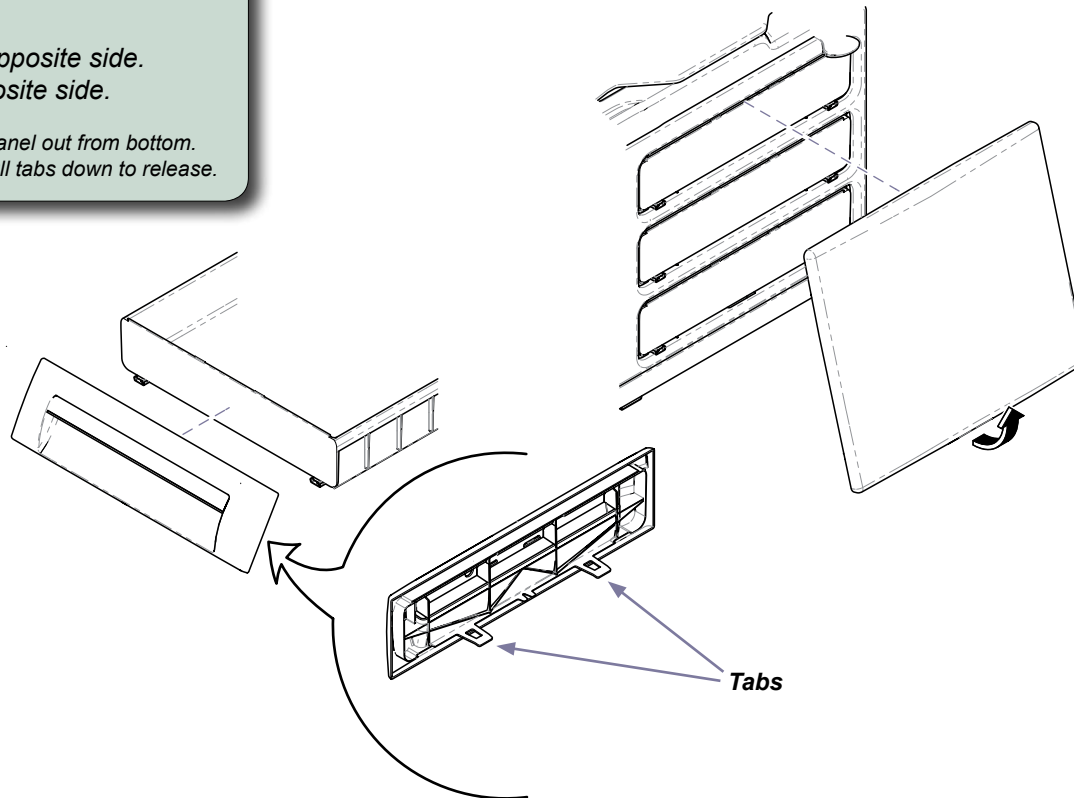
Reversing the Side Drawers - 604 only

The side drawers can be reversed so that they open from the opposite side of the table.

To reverse the side drawers...

- A) *Remove side panel.*
- B) *Remove drawer fronts.*
- C) *Install drawer fronts on opposite side.*
- D) *Install side panel on opposite side.*

*Note: To remove **side panel**, pull panel out from bottom.
To remove **drawer fronts**, pull tabs down to release.*



MA8095i