



# Transportation Cart [9A335]

**Contents:**  
 Installation ..... 1  
 Exploded View ..... 5

**Special Tools:**  
 none

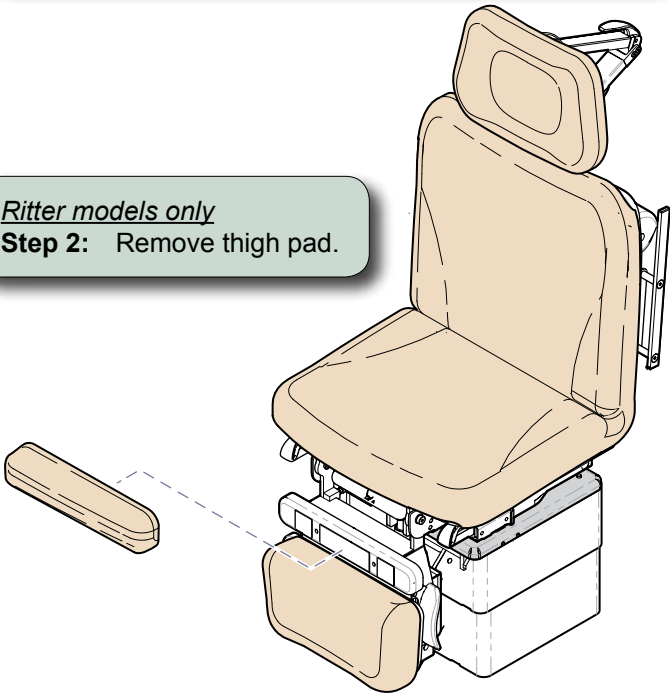
**Intended Use:**  
 To transport Midmark 630 (75/LP / Ritter 230 (75E) tables only.

**Requirements / Restrictions:**  
 The following accessories must be removed before using cart:

9A144 (Knee Crutches)	9A157 (Side Rails)	9A179 (Armboard)
9A182 (Welch-Allyn Bracket)	9A205 (Base Rail)	9A214 (Restraint Strap Bracket)

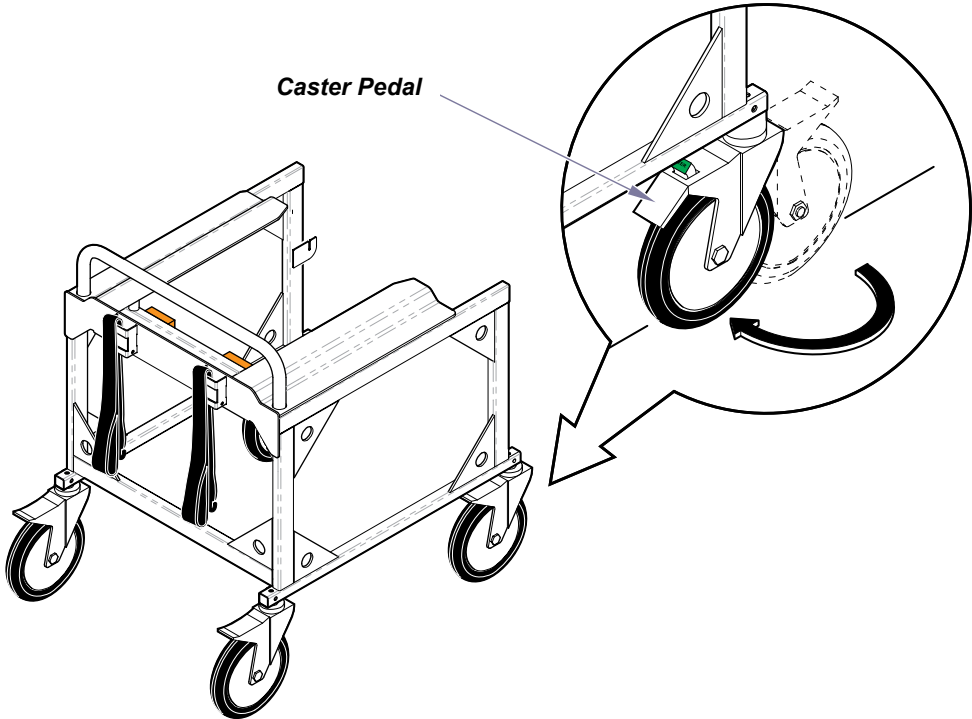
**Step 1:** (See requirements / Restrictions box).  
 Remove accessories if necessary. Run  
**Tilt Down** function to full down position.

*Ritter models only*  
**Step 2:** Remove thigh pad.



**Step 3:** Rotate two steer casters to position shown.  
 Press caster pedals down to lock position.

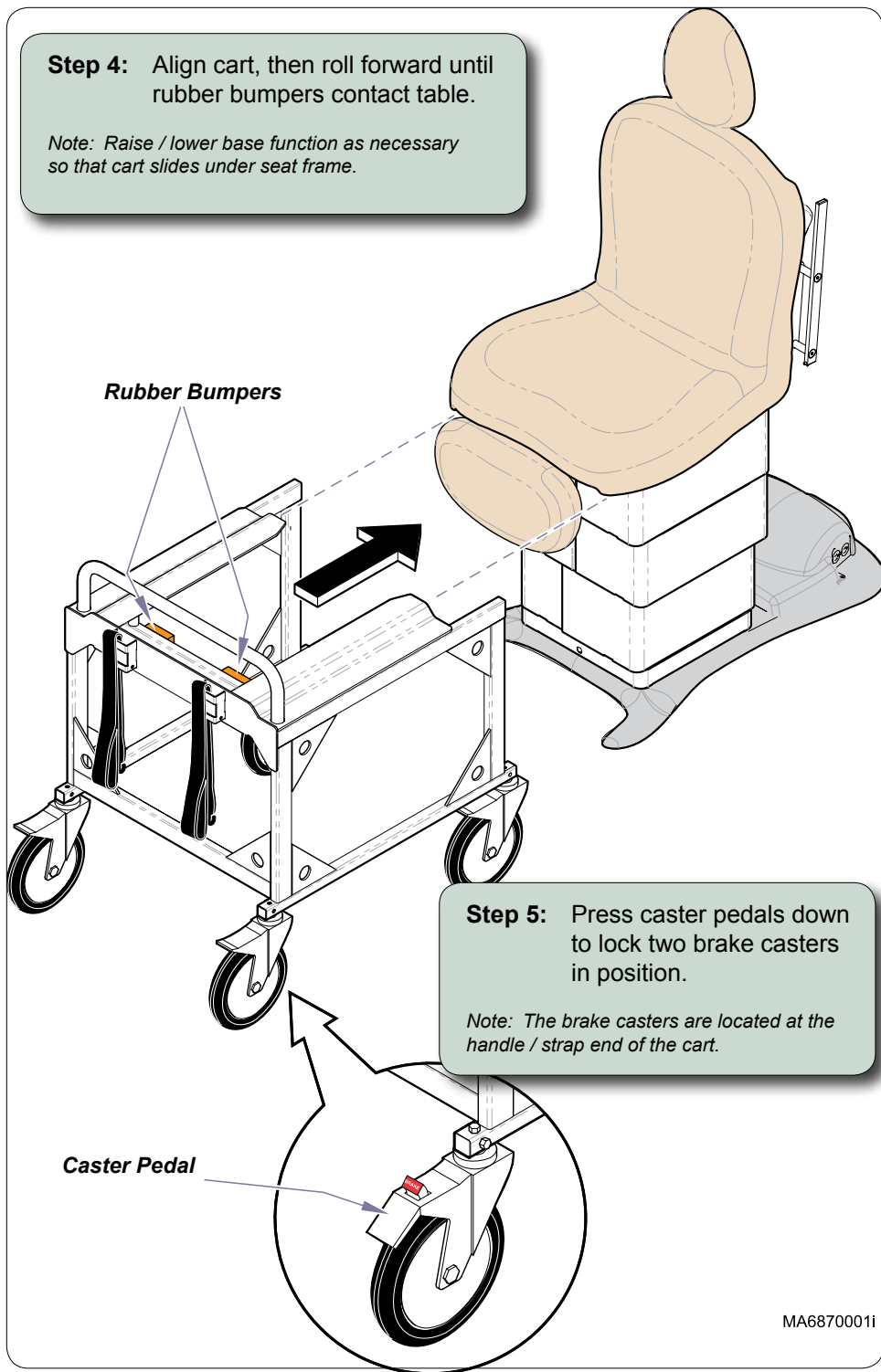
*Note: The steer casters are located at the open end of the cart.*



MA749300i

**Step 4:** Align cart, then roll forward until rubber bumpers contact table.

*Note: Raise / lower base function as necessary so that cart slides under seat frame.*



Rubber Bumpers

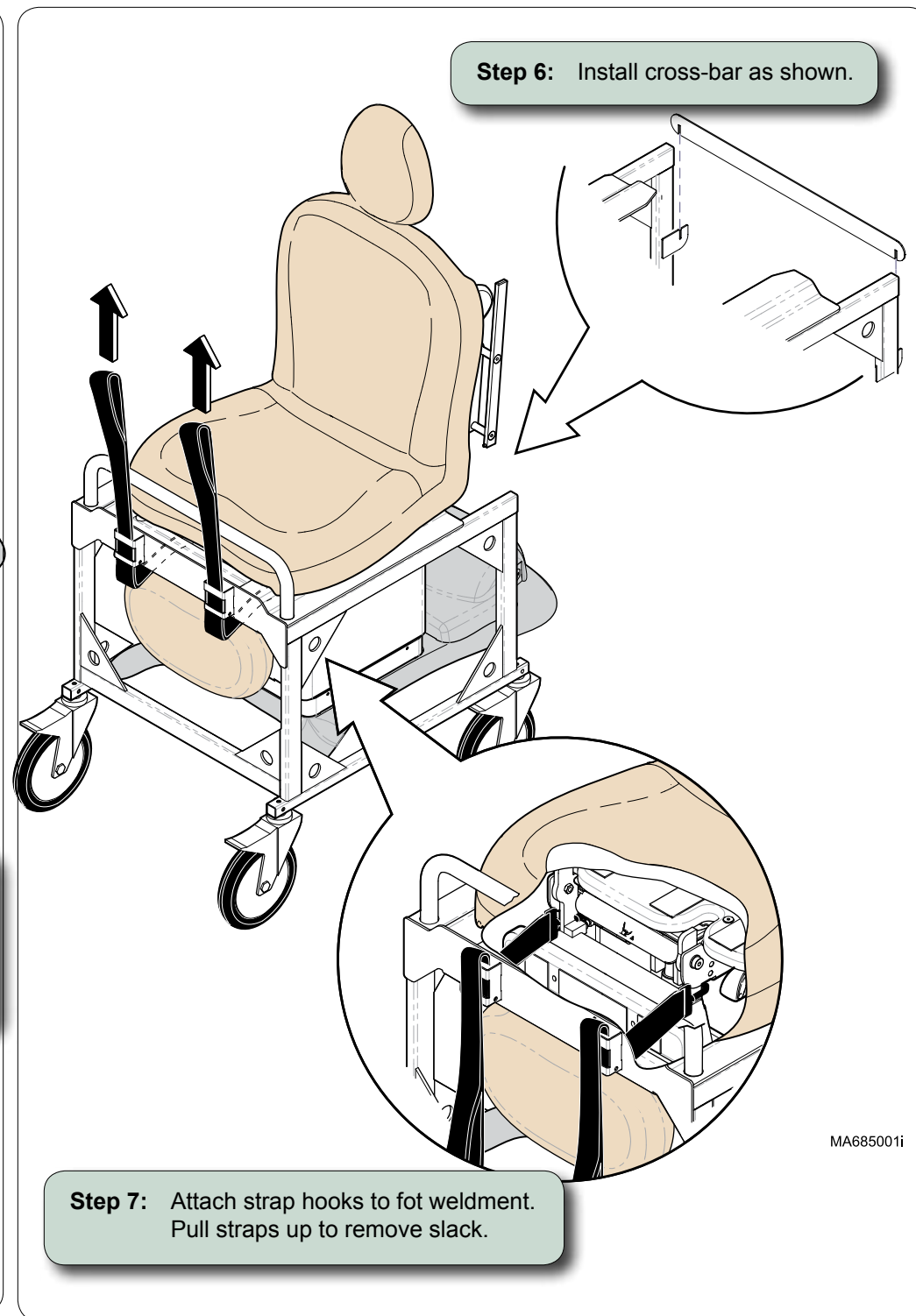
Caster Pedal

**Step 5:** Press caster pedals down to lock two brake casters in position.

*Note: The brake casters are located at the handle / strap end of the cart.*

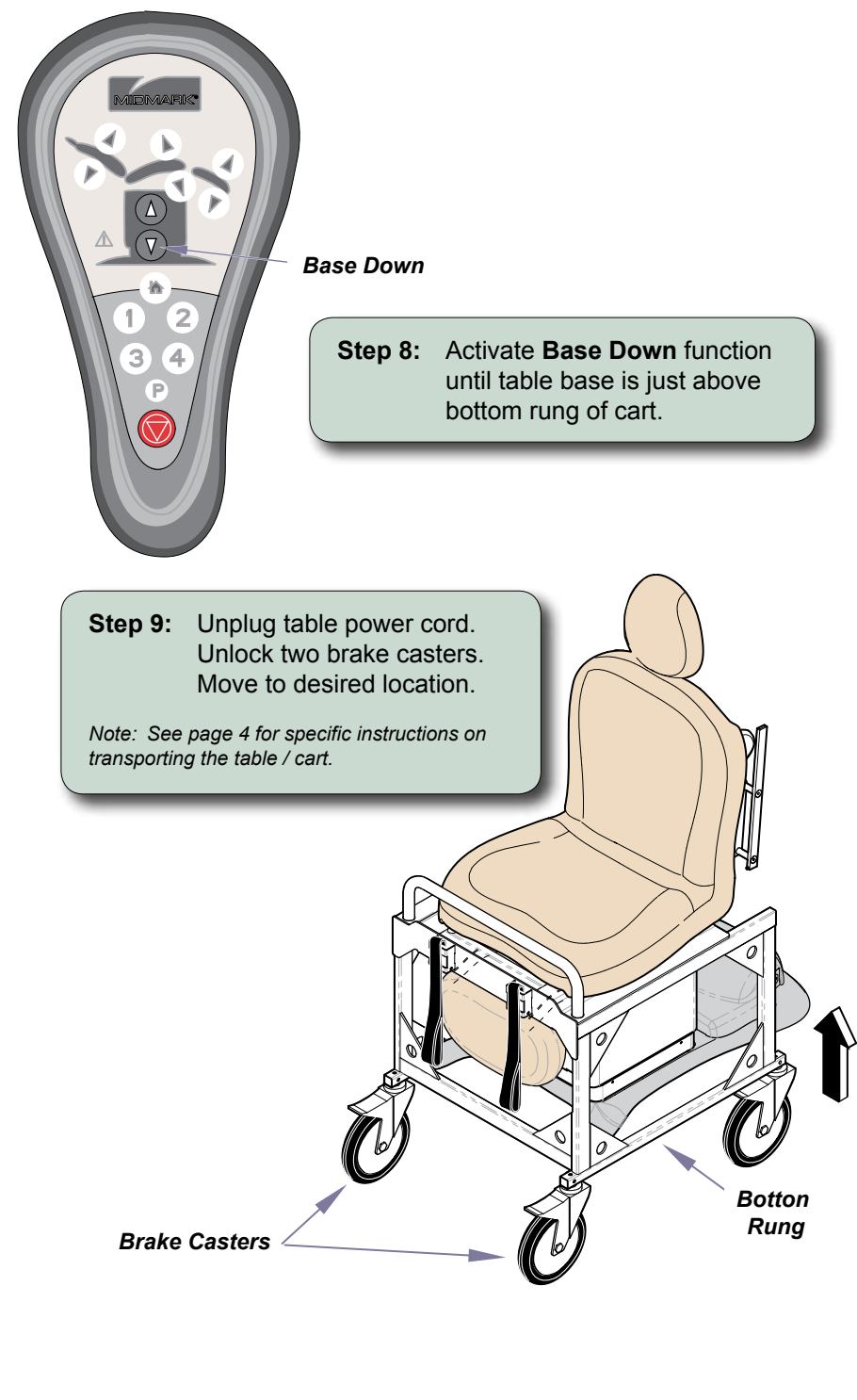
MA6870001i

**Step 6:** Install cross-bar as shown.



**Step 7:** Attach strap hooks to foot weldment. Pull straps up to remove slack.

MA685001i



Base Down

**Step 8:** Activate **Base Down** function until table base is just above bottom rung of cart.

**Step 9:** Unplug table power cord. Unlock two brake casters. Move to desired location.

*Note: See page 4 for specific instructions on transporting the table / cart.*

Brake Casters

Bottom Rung

Base Up

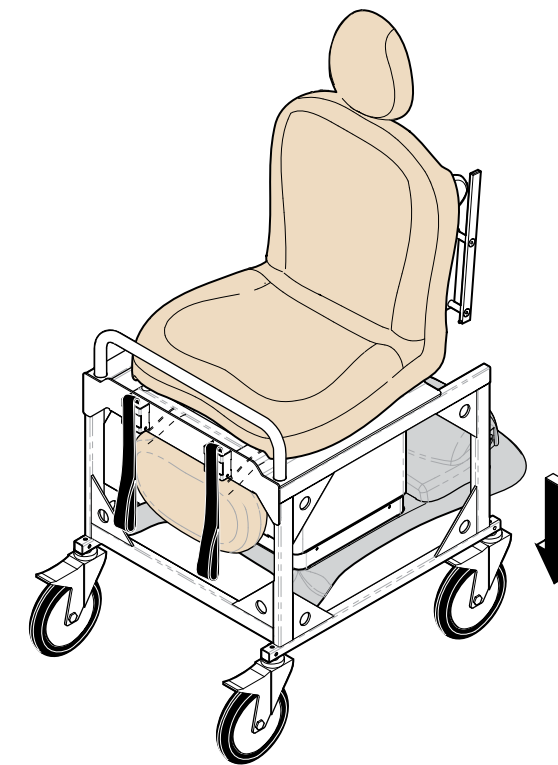


**Caution**

Be sure area under table base is clear before activating Base Up function. (ex. power cord, feet, etc.)

**To remove transportation cart...**

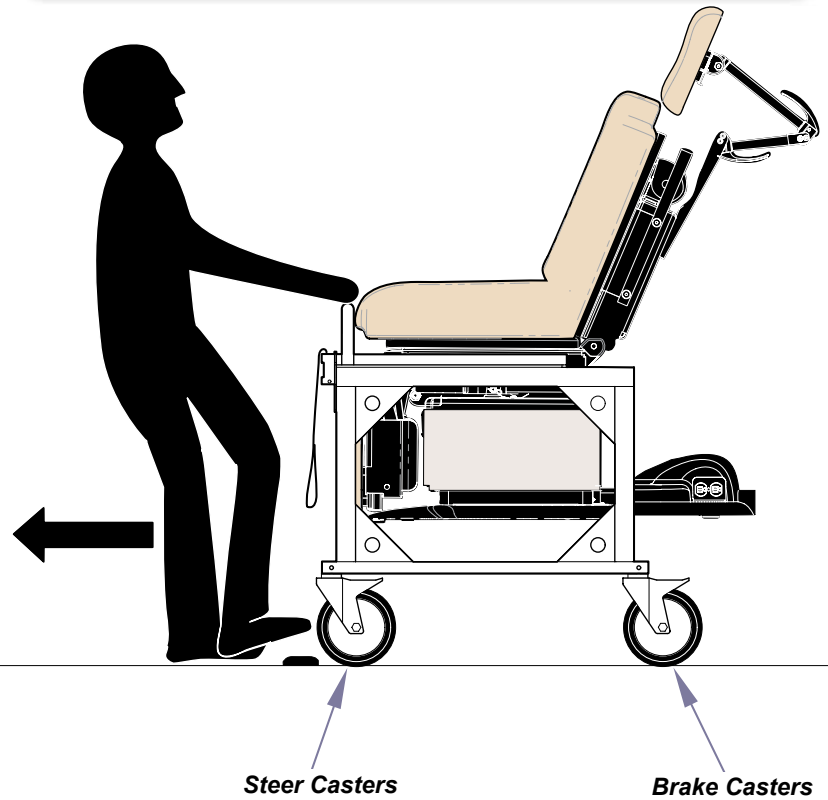
- A) Lock brake casters.
- B) Activate base Up function until table base contacts floor.
- C) Release straps / hooks.
- D) Remove cross-bar.
- E) Unlock casters, and roll cart away from table.



MA749400i

**Tips for transporting the cart / table:**

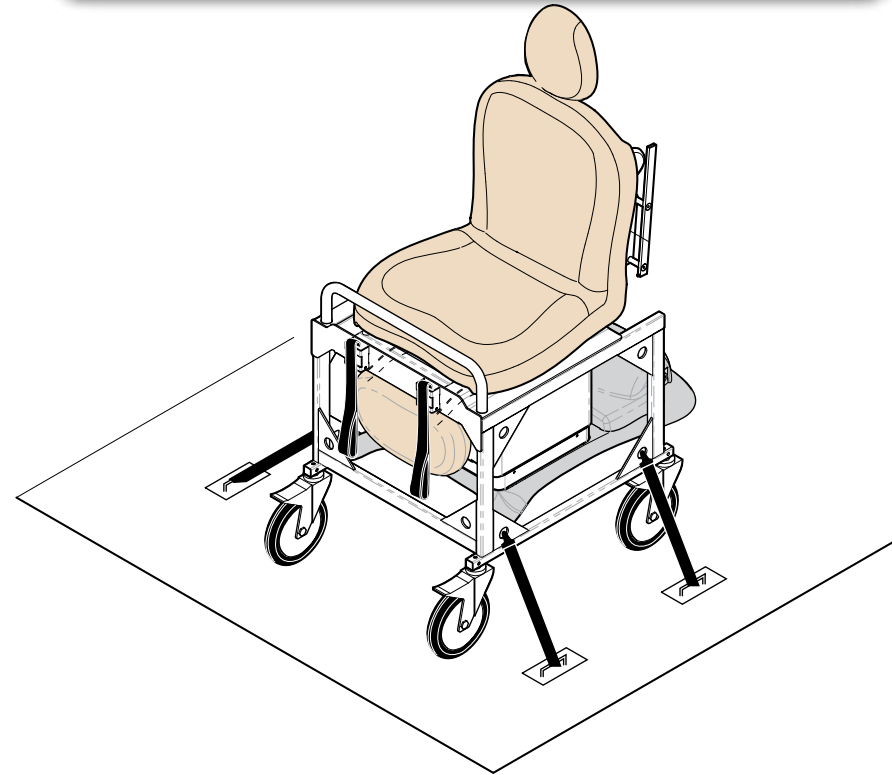
- The cart maneuvers best when pulled.
- Position the casters so that they "trail" the cart as shown.
- Lock the steer casters in the straight position, while allowing the brake casters to rotate freely.



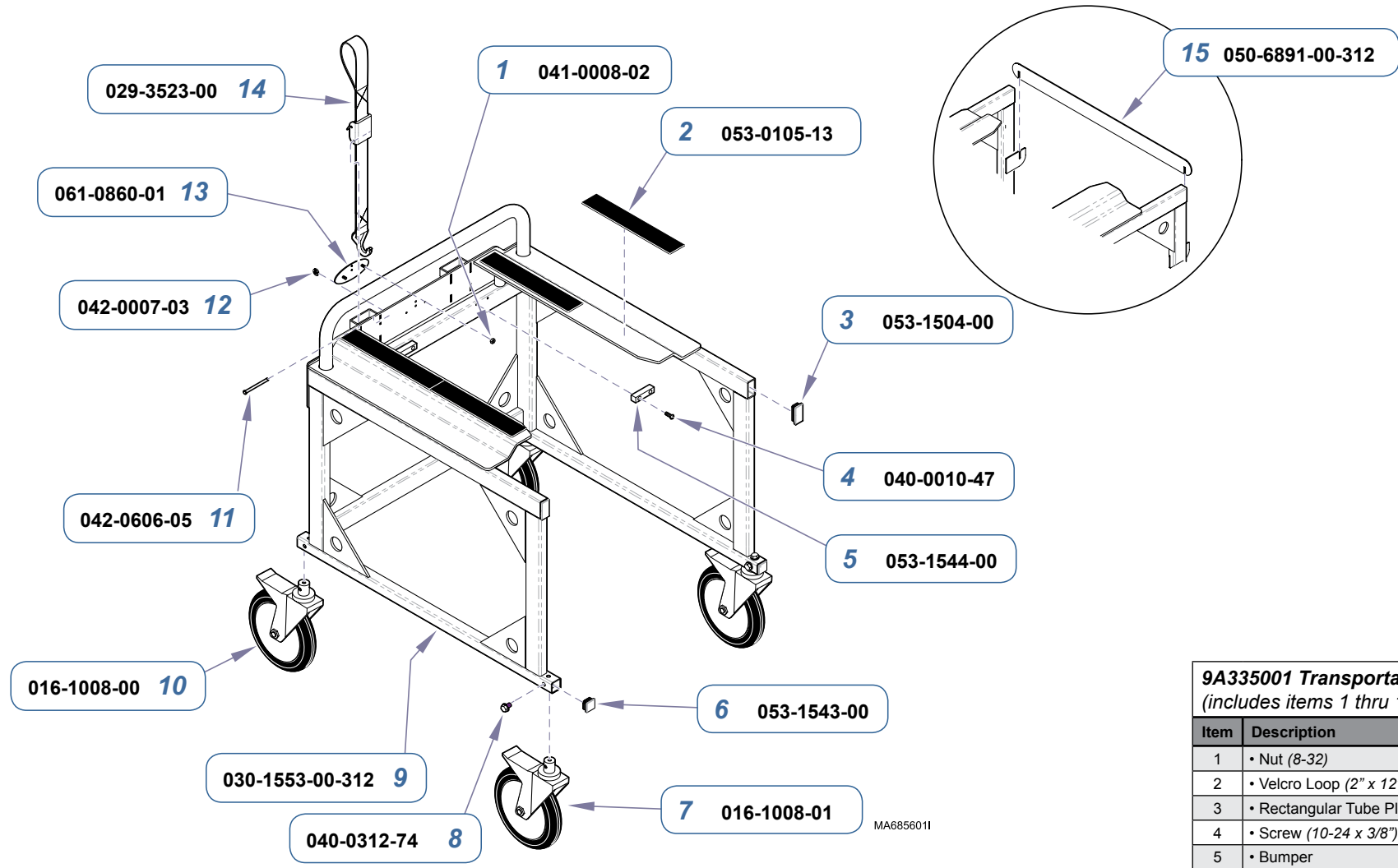
**When transporting cart / table in a moving vehicle...**

- All casters must be locked.
- Use cargo straps to secure cart to tie-down anchors.

Note: It may be necessary to lower back section prior to loading.



MA749500i



9A335001 Transportation Cart (includes items 1 thru 15)		
Item	Description	Qty.
1	• Nut (8-32)	2
2	• Velcro Loop (2" x 12")	6
3	• Rectangular Tube Plug	2
4	• Screw (10-24 x 3/8")	4
5	• Bumper	2
6	• Square Tube Plug	4
7	• Steering Caster	2
8	• Screw (5/16-18x 1/2")	12
9	• Cart Frame Weldment	1
10	• Brake Caster	2
11	• Clevis Pin	2
12	• E-ring	2
13	• Nameplate	1
14	• Strap / Buckle / Hook Assembly	2
15	• Crossbar (later models only)	1

Serial Numbers / Dates:

all