

9A346 Casters

Intended Use:
To provide mobility for bariatric power treatment table.

Notes:
Addition of Casters will raise the table no more than 5/8" (15.8 mm).

Components:
Casters
(2.953" [75 mm] dia. x 2.244" [57mm] wide).....4
Washers.....8

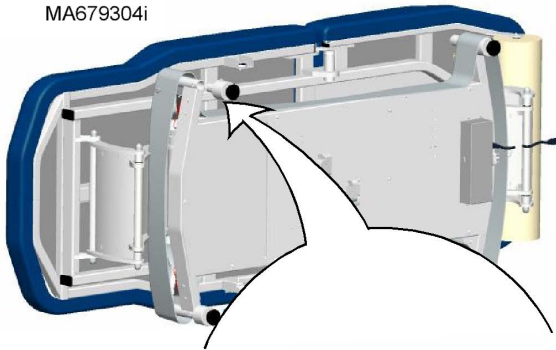
Special Tools:
none



Step 1: Raise table approx. half way UP.

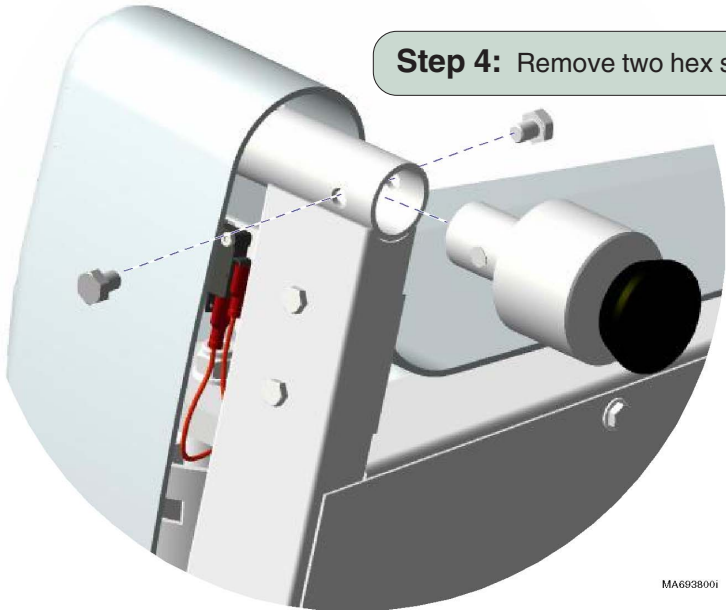
Equipment Alert
Failure to remove chair arms will result in damage to the table / chair arms.

Step 2: Disconnect power to table. Remove chair arms (if applicable).



Caution
The table weighs approx. 340 lbs (154 kg). Use an assistant to perform Step 2.

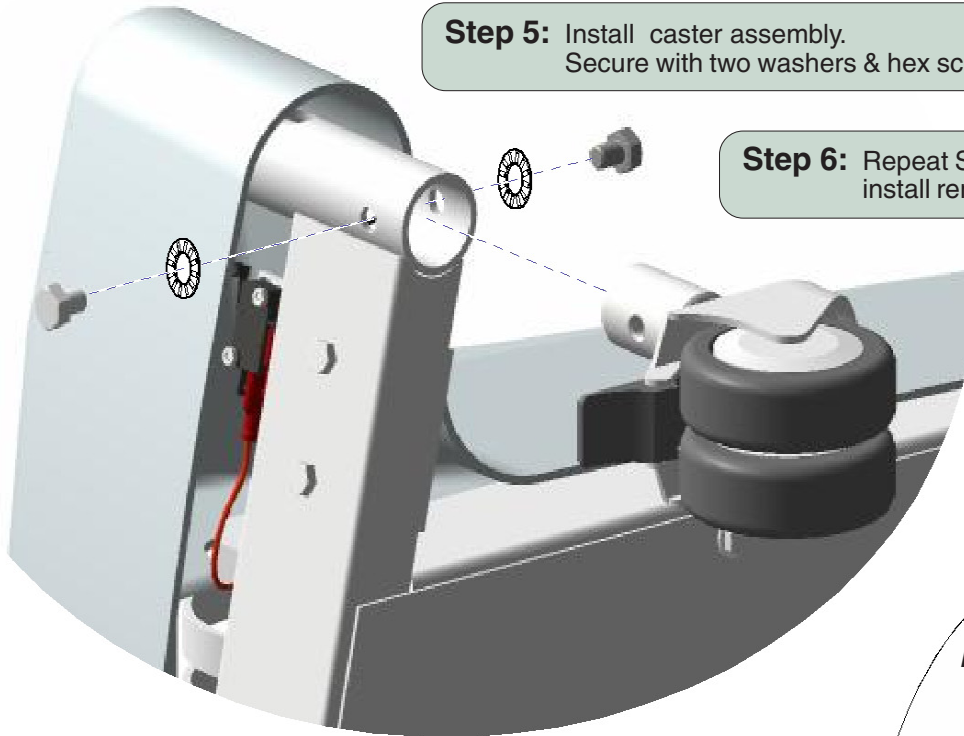
Step 3: CAREFULLY lay the table onto its side.




Step 4: Remove two hex screws & leveling foot.

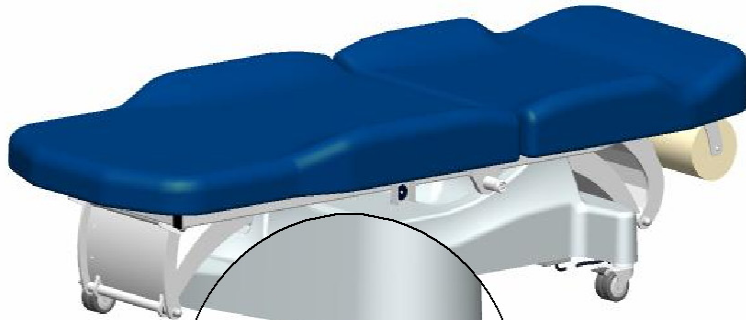
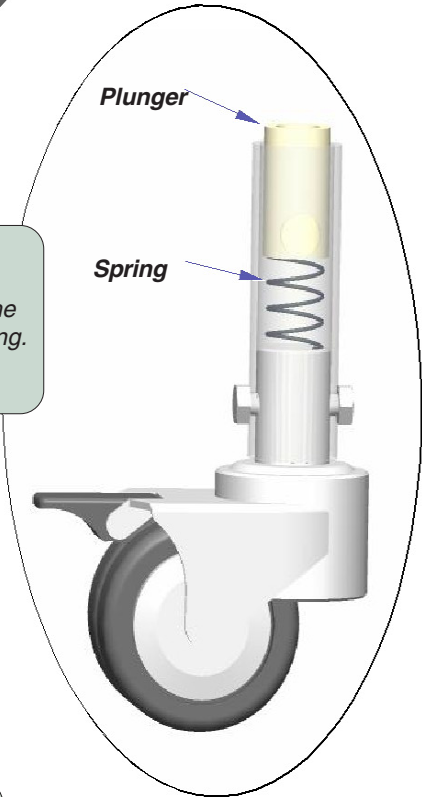
Step 5: Install caster assembly.
Secure with two washers & hex screws.

Step 6: Repeat Steps 3 thru 5 to
install remaining casters.



Equipment Alert

If any of the plungers and/or springs fall out during this procedure, replace them once the table is upright. See illustration for positioning.

Step 7: Stand table upright.



**Lock
Lever**

To lock caster(s)...
Push lock lever down.

To unlock caster(s)...
Lift lock lever up.

MA693900i