



# Urology Drain System - Factory Installed [9A329001 & 9A329003]

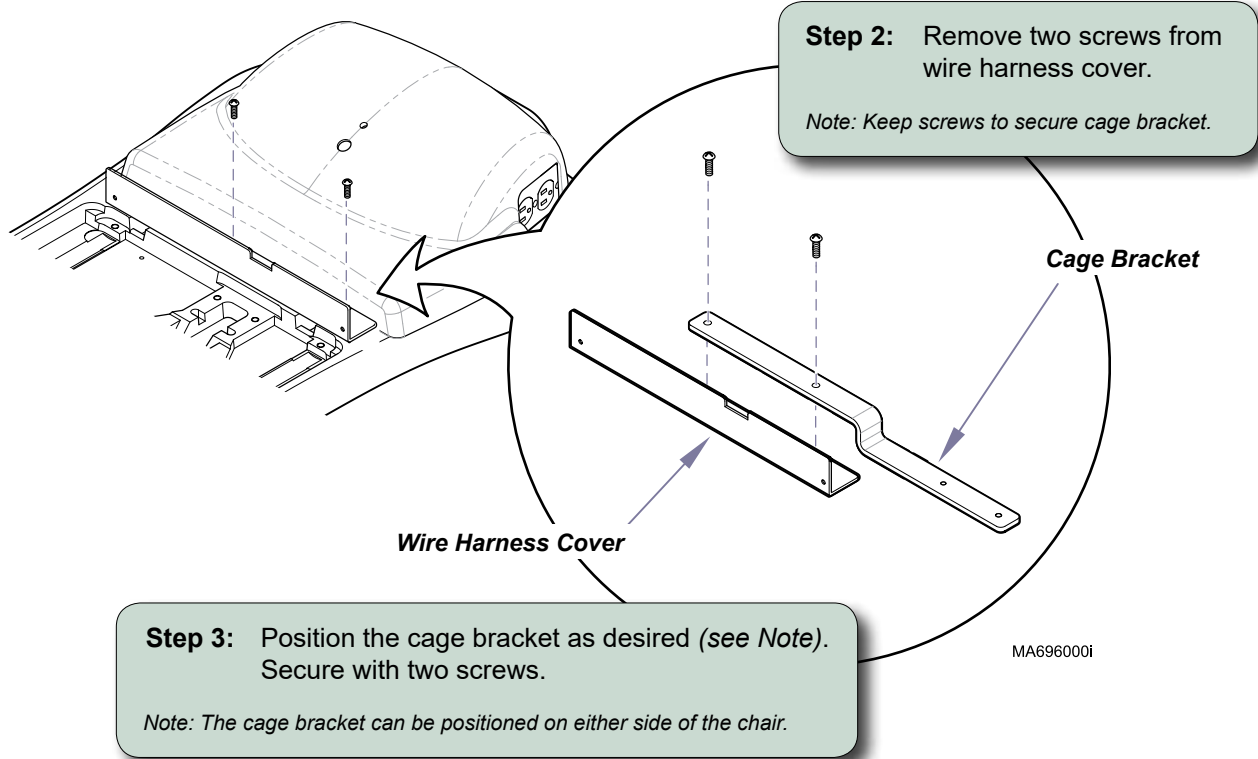
**Contents:**  
Installation ..... 1  
Exploded View..... 3

**Special Tools:**  
none

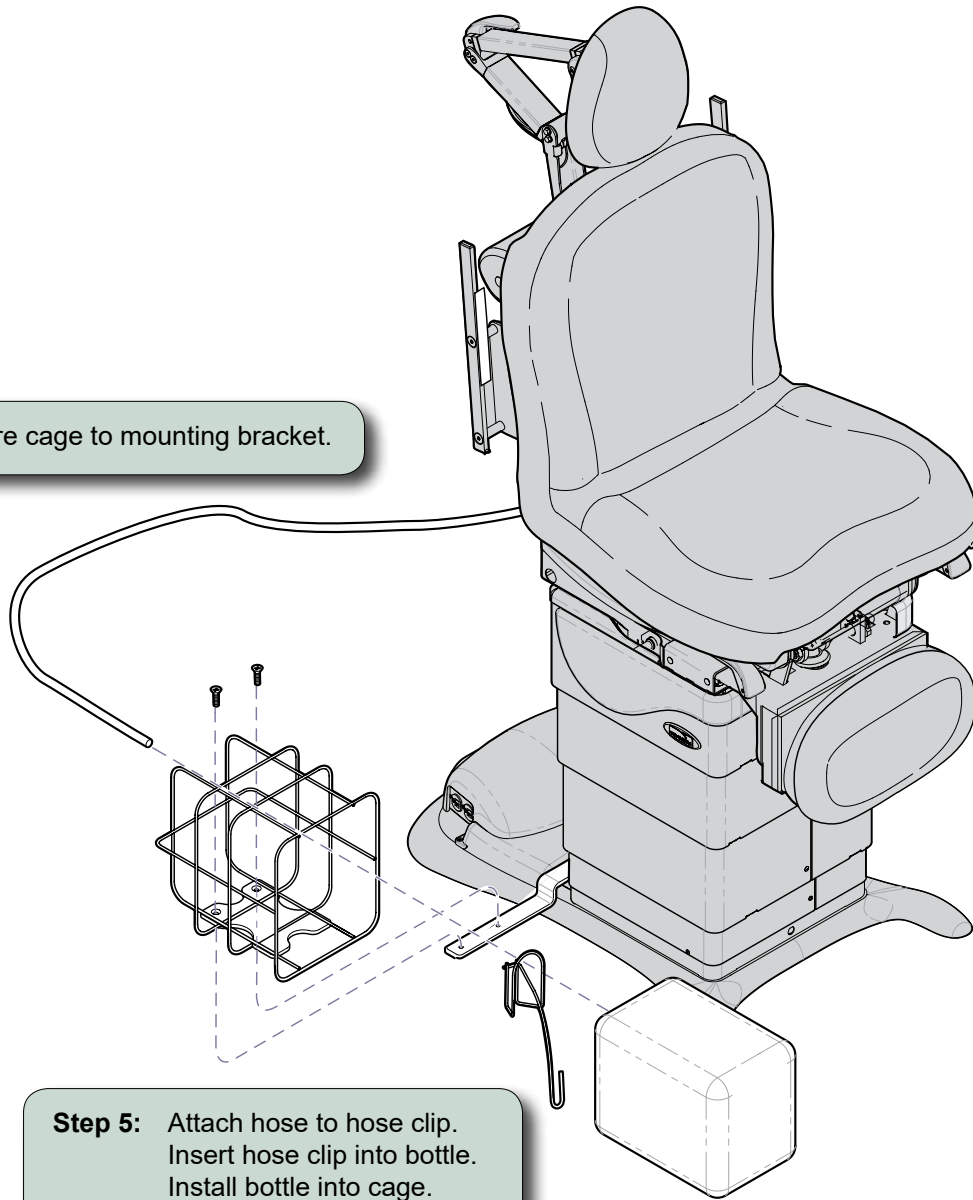
**Intended Use:**  
To provide drainage for urology procedures.

**Restrictions:**  
Not for use with rotational base units.

**Step 1:** Run BASE function all the way UP.  
Unplug power cord.

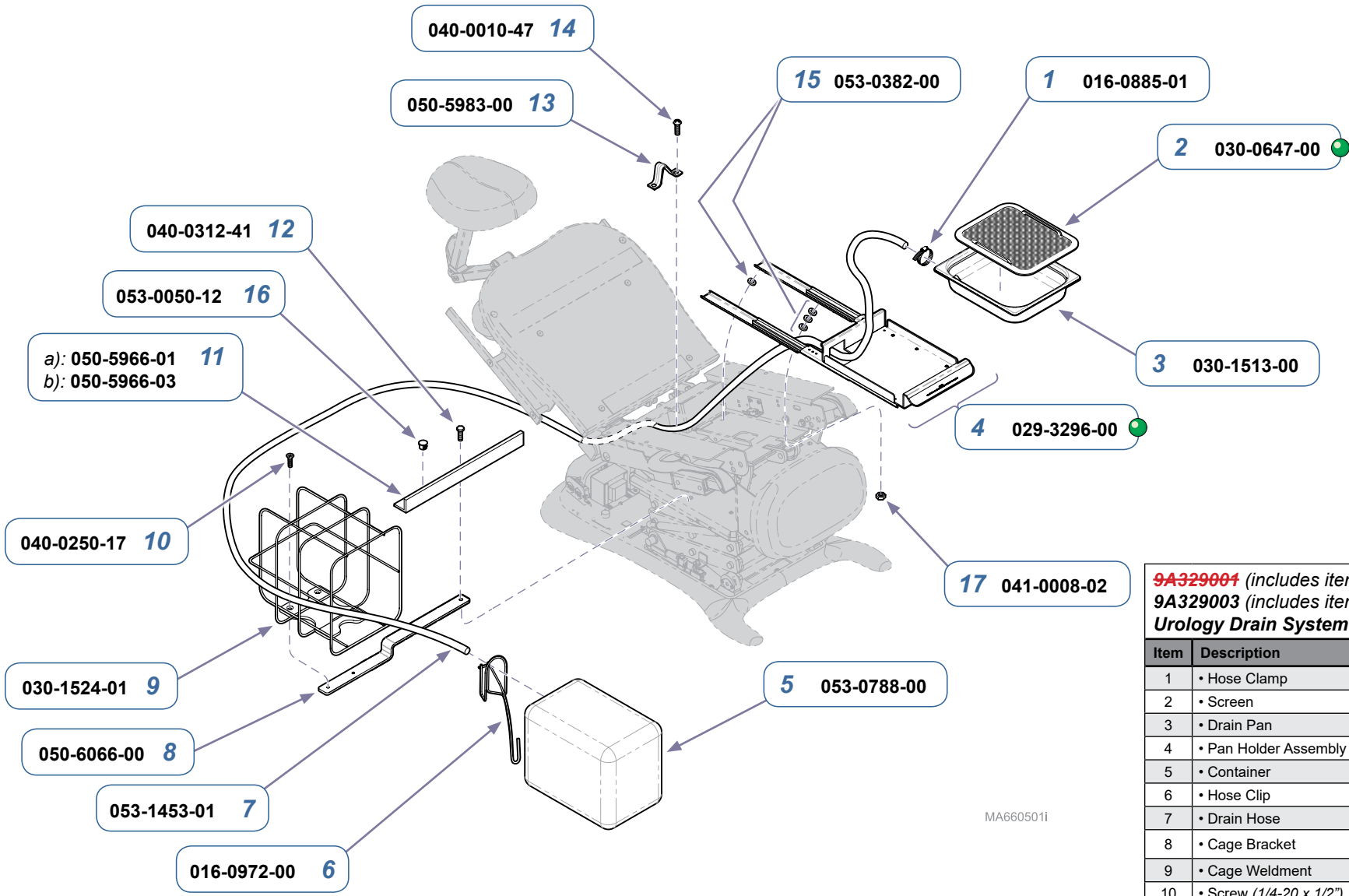


**Step 4:** Secure cage to mounting bracket.



**Step 5:** Attach hose to hose clip.  
Insert hose clip into bottle.  
Install bottle into cage.

MA695800i



MA660501i

**9A329004** (includes items 1 thru 16)  
**9A329003** (includes items 1 thru 15)  
**Urology Drain System - Factory Installed**

Item	Description	Qty.
1	• Hose Clamp	1
2	• Screen	1
3	• Drain Pan	1
4	• Pan Holder Assembly	1
5	• Container	1
6	• Hose Clip	1
7	• Drain Hose	1
8	• Cage Bracket	1
9	• Cage Weldment	1
10	• Screw (1/4-20 x 1/2")	2
11	• Spacer Cover a) Midmark models b) Ritter models	1
12	• Hex Screw (5/16-18 x 1")	3
13	• Hose Guide	1
14	• Screw (#10-24 x 3/8")	2
15	• Nylon Washer	7
16	• Hole Plug	2
17	Nut (8-32) - not included	4

**Serial Numbers / Dates:** all