

## IV Armboard [154088-xxx] (Installation on Model 391-002 Chair)

**Intended Use:**

To provide support for patient's arm.

**Requirements / Restrictions:**

None

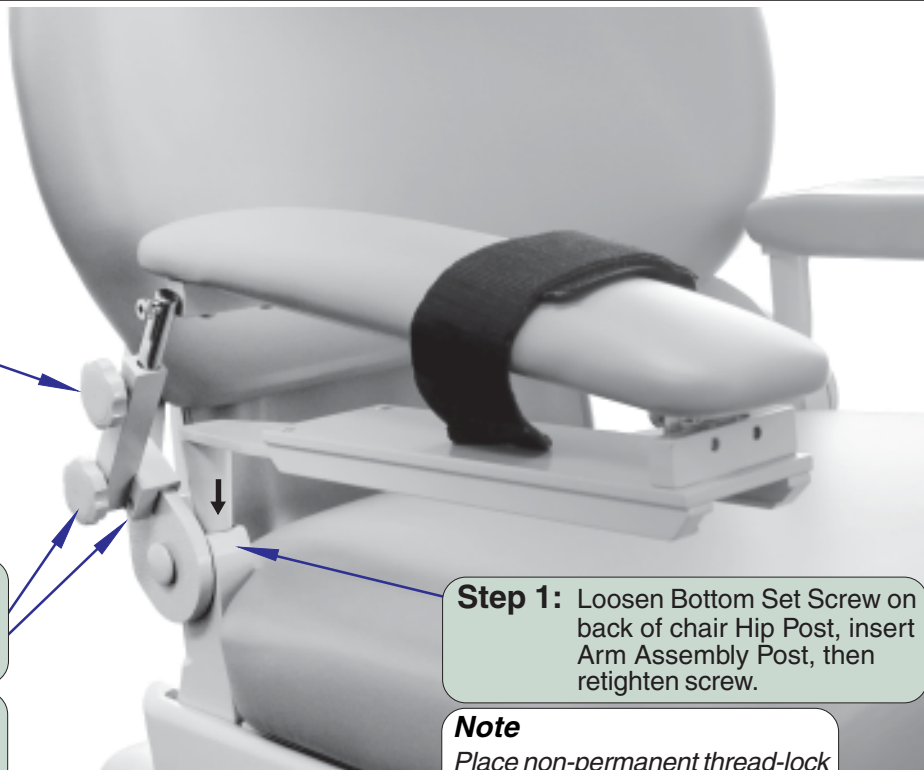
**Special Tools**

1/8" & 5/32" Allen Wrenches

**Step 4:** Loosen knob, adjust to patient's comfort, then tighten knob.

**Step 2:** Remove knob, then loosen the two set screws on the arm mounting block

**Step 3:** Position mounting block on chair and tighten set screws and install knob.



**Step 1:** Loosen Bottom Set Screw on back of chair Hip Post, insert Arm Assembly Post, then retighten screw.

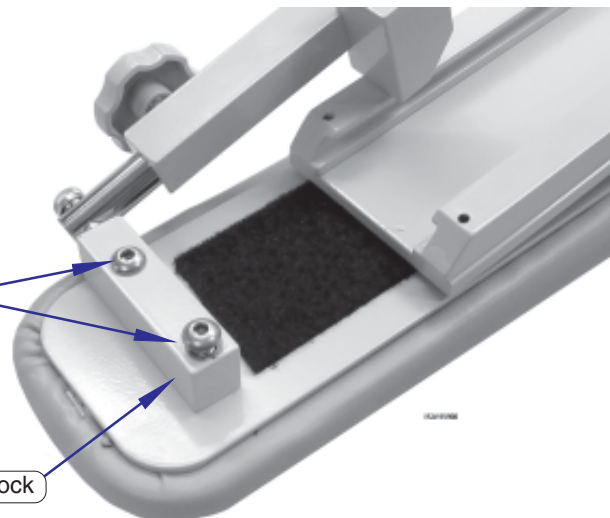
**Note**

Place non-permanent thread-lock on set screw before tightening.

### Changing Arm for Opposite Side Installation

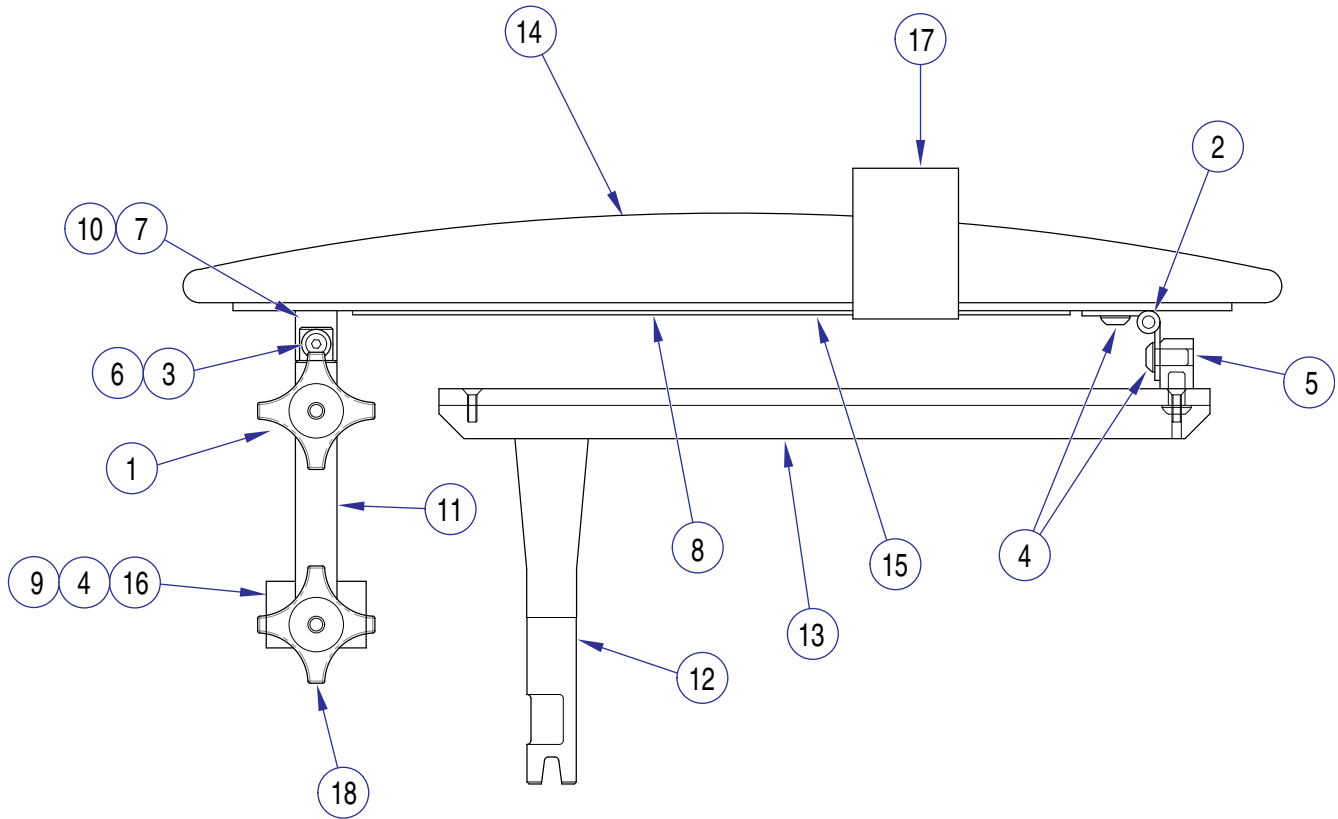
**Step 1:** Remove the two screws from toe block, rotate assembly 180° and reinstall the screws.

Toe Block



# IV Armboard

Note: This model uses Pebble Grey painted components



MA613302i

Item	Part No.	Description	Qty.	Item	Part No.	Description	Qty.
	<b>154088-xxx</b>	<b>IV Armboard</b>					
		(includes items 1 thru 16) .....	1	9	• 121848-50	• Mounting Block .....	1
1	• 016-0304-01	• Knob .....	1	10	• 121845-50	• Mounting Bracket .....	1
2	• 118249-2	• Legrest Hinge .....	1	11	• 121853-50	• Strut .....	1
3	• 120611	• Shoulder Screw .....	1	12	• 152558-50	• Post Assembly .....	1
4	• 120950	• Screw .....	6	13	• 152563-01	• Slide Assembly .....	1
5	• 121839-50	• Toe Block .....	1	14	• 152564-xxx	• Upholstery (refer to color codes chart) .	1
6	• 121840-2	• Armboard Rod .....	1	15	• 177723	• Velcro (loop - female) .....	[.011]
7	• 121850	• Screw (use adhesive #042-0024-00) ...	2	16	• 275184	• Foam Tape .....	[.25]
8	• 121847-50	• Bottom Cover .....	1	17	• 152562	• Arm Band .....	1
				18	• 016-0304-02	• Knob .....	1

Always Specify Model & Serial Number