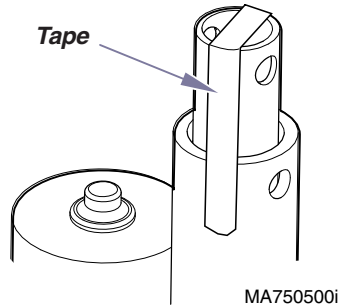




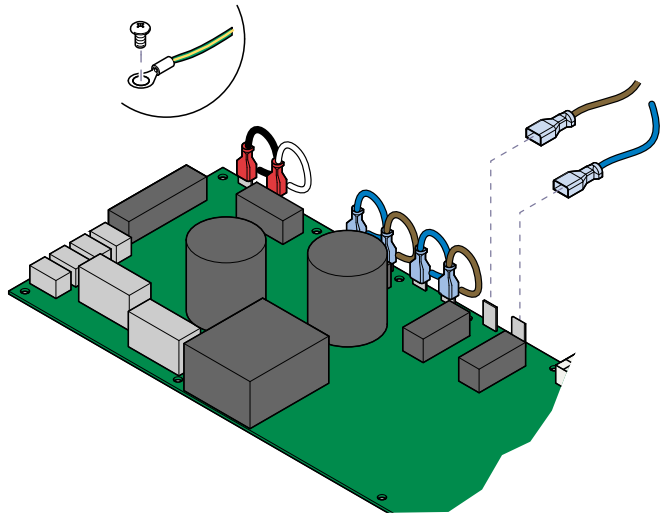
Tilt Actuator Kit [002-0882-00]

- Components:**
 Tilt Actuator 1
 Ground Wire 1
- Special Tools:**
 none



Equipment Alert
 Do not remove tape from new actuator until instructed to do so. Failure to comply will allow the actuator shaft to rotate, resulting in misalignment of the internal limit switches.

Early models only:

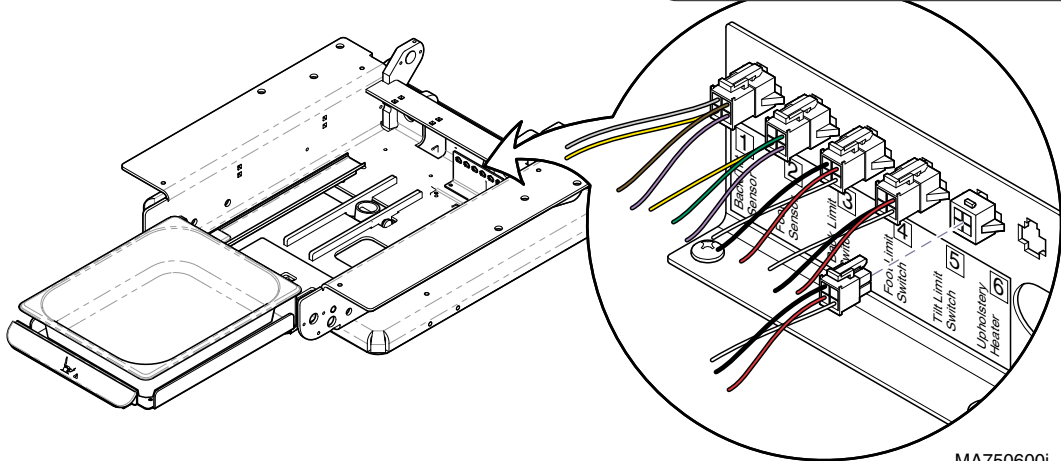


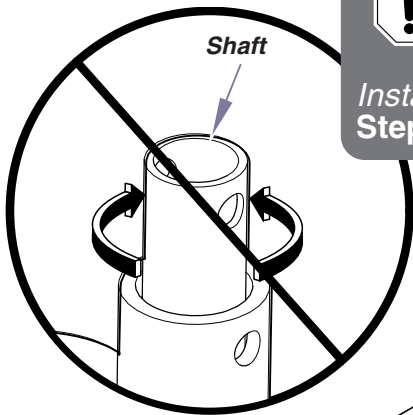
Removal
Step 1: Disconnect tilt actuator wires from PC board (J7 & J8). Disconnect ground wire (early models only). Pull actuator wire up thru chair.
Note: Remove cable ties & wire clamps as necessary.

Installation
Step 5: Route actuator wire thru chair. Connect actuator wires to PC board. [brown - J7] [blue - J8] Connect ground wire (early models).
Note: Replace all cable ties & wire clamps.

Installation
Step 4: Connect tilt limit switch harness to junction board.

Removal
Step 2: Disconnect tilt limit switch harness [5] from junction board.





Equipment Alert

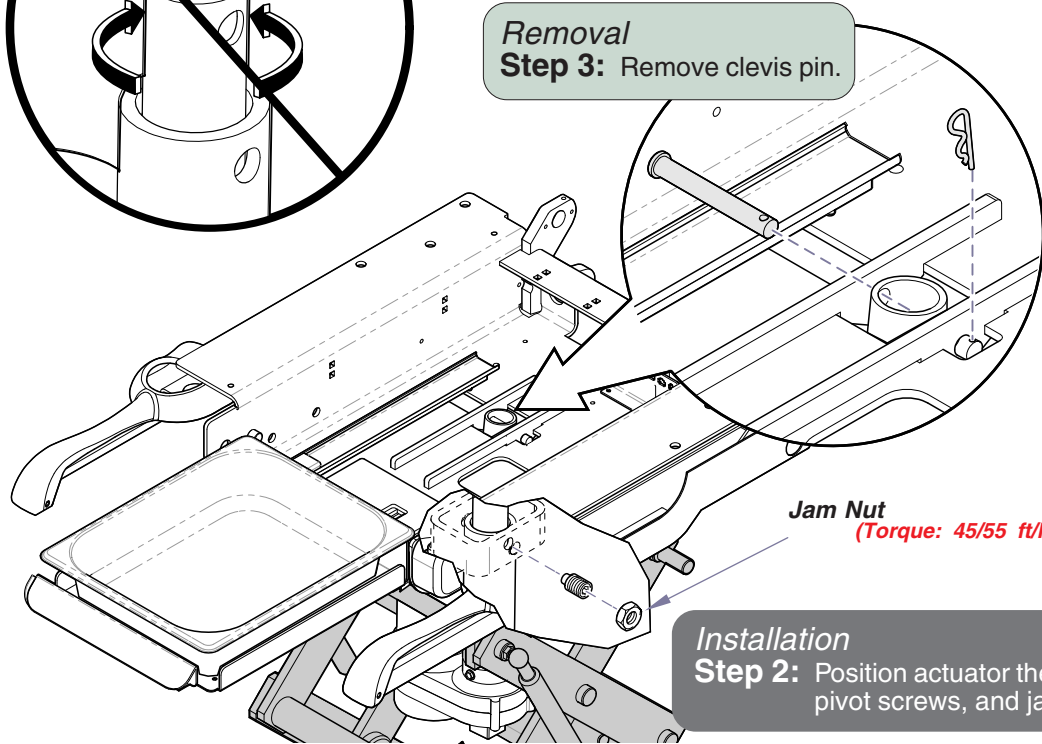
Carefully remove tape from actuator shaft. Do **not** rotate actuator shaft!

Installation

Step 3: Install clevis pin & cotter pin.

Removal

Step 3: Remove clevis pin.



Jam Nut
(Torque: 45/55 ft/lb)

Installation

Step 2: Position actuator then install pivot screws, and jam nuts.

Removal

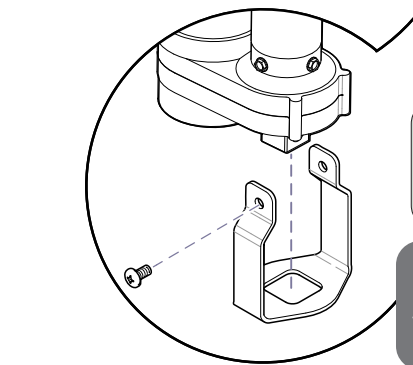
Step 5: Remove jam nuts, pivot screws, & actuator.

Removal
Ritter models only

Step 4: Remove support strap.

Installation
Ritter models only

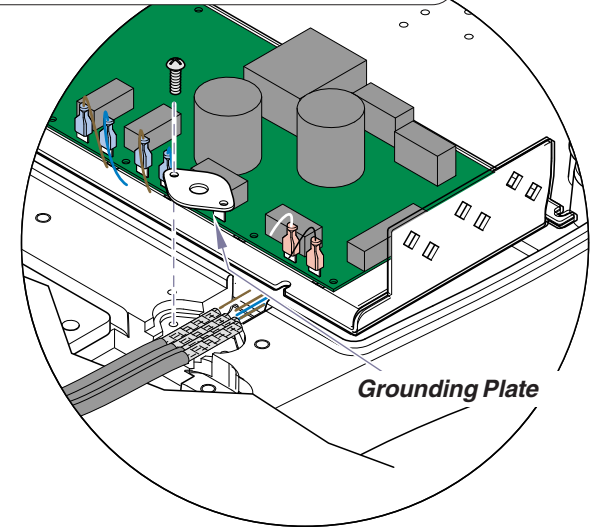
Step 1: Install support strap.



Grounding Instructions

Models w/ Grounding Plate:

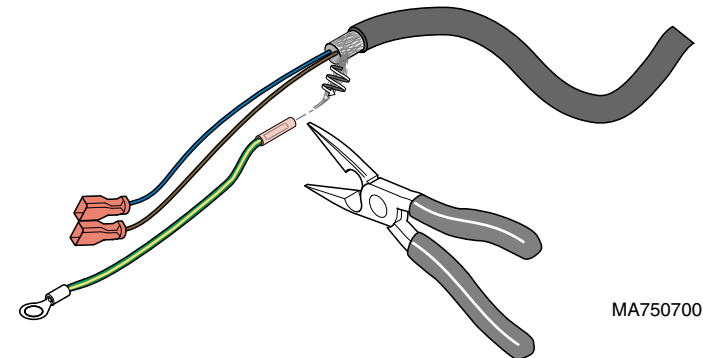
To ensure proper ground, the metal braided insulation on the actuator wires must be in direct contact with the grounding plate.



Grounding Plate

Models w/o Grounding Plate:

Push back the metal braided insulation on actuator wires. Connect the ground wire (provided) as shown. Connect ground wire to base casting w/screw (provided).



MA750700i