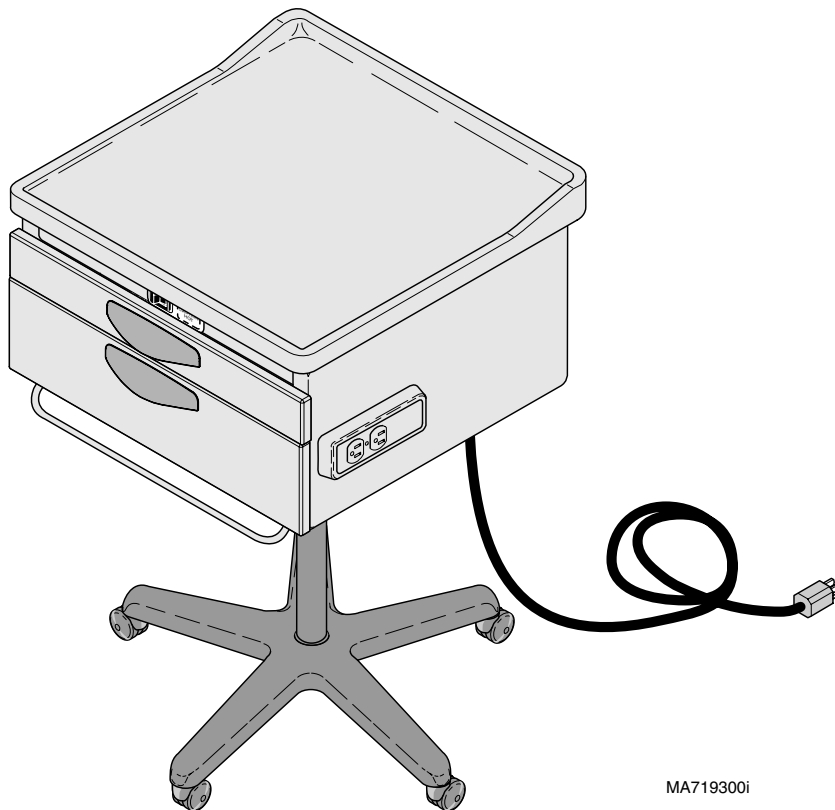


Ritter[®]
by MIDMARK

Installation and Operation Manual

265 Procedures Cart



MA719300i

**Important
Information**
Page 2

Installation
Page 3

Description
Page 5

**Components
Overview**
Page 6

**Controls &
Indicators**
Page 7

Operation
Page 8

**Operator
Maintenance**
Page 9

**Calling For
Service**
Page 10

Specifications
Page 10

**Limited
Warranty**
Page 11

Owner's Product Identification

(information that you will need to provide for servicing - key information is highlighted)

Date of Purchase

Serial Number

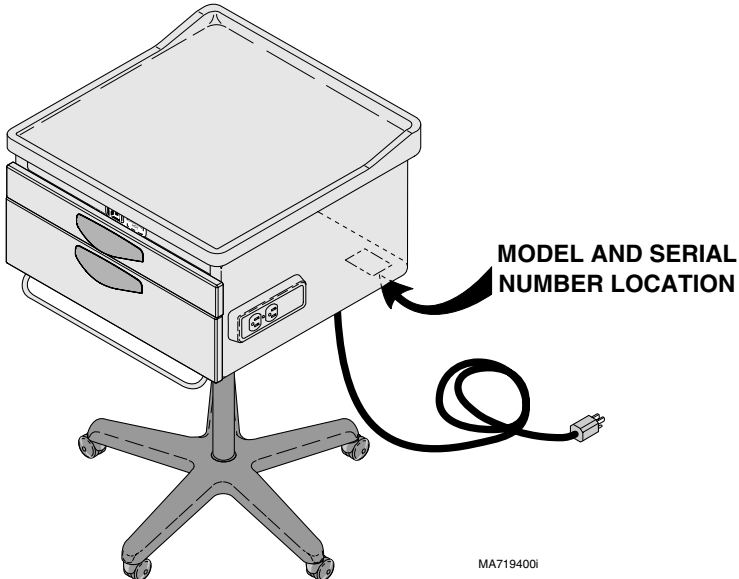
Name of Owner / Facility / Department

Model Number

Name of Authorized Ritter Dealer

Telephone # of Authorized Ritter Dealer

Address of Authorized Ritter Dealer



MA719400i

CONTENTS

| | |
|--|-----------|
| IMPORTANT INFORMATION | 2 |
| Scope and Purpose of This Manual | 2 |
| Intended Use of Product..... | 2 |
| Safety Instructions | 2 |
| Explanation of Safety Symbols and Notes..... | 2 |
| Transportation and Storage Conditions | 3 |
| INSTALLATION | 3 |
| Unpacking..... | 3 |
| Electrical Requirements..... | 4 |
| DESCRIPTION..... | 5 |
| Introduction..... | 5 |
| Features..... | 5 |
| COMPONENTS OVERVIEW | 6 |
| CONTROLS & INDICATORS | 7 |
| OPERATION | 8 |
| Gas Cylinder (Model 265-003 only)..... | 8 |
| Drawer Heater (Model 265-002 only) | 8 |
| OPERATOR MAINTENANCE | 9 |
| Preventive Maintenance | 9 |
| Cleaning | 9 |
| CALLING FOR SERVICE | 10 |
| SPECIFICATIONS | 10 |
| LIMITED WARRANTY | 11 |

IMPORTANT INFORMATION

Scope and Purpose of This Manual

This manual covers complete instructions for the installation, operation, and normal care of the 265 Medical Procedures Cart. It is intended that this manual be used by any medical personnel responsible for operating the Procedures Cart during a medical procedure or performing operator level maintenance.

Intended Use of Product

This product is intended for use in examination / procedures environments to accomplish general medical examinations and / or procedures.

Safety Instructions

The primary concern of Midmark is that this equipment is operated and maintained with the safety of the patient and staff in mind. To assure safer and more reliable operation:

- Read and understand this manual before attempting to install or operate the cart.
- Assure that appropriate personnel are informed on the contents of this manual; this is the responsibility of the purchaser.
- Assure that this manual is located near the cart, or if possible, permanently affixed to the cart.

Explanation of Safety Symbols and Notes



WARNING

Indicates an imminently hazardous situation which, if not avoided, will result in death or serious injury. The **DANGER** symbol is limited to the most extreme situations.



WARNING

Indicates a potentially hazardous situation which, if not avoided, could result in death or serious injury.



CAUTION

Indicates a potentially hazardous situation which, if not avoided, may result in minor or moderate injury. It may also be used to alert against unsafe practices.



EQUIPMENT ALERT

Indicates an imminently or potentially hazardous situation which, if not avoided, will or may result in serious, moderate, or minor equipment damage.

NOTE

Amplifies an operating procedure, practice, or condition.

Transportation and Storage Conditions

- Ambient Temperature Range: -30°C to +60°C (-22°F to 140°F)
- Relative Humidity 10% to 90% (non-condensing)
- Atmospheric Pressure 500hPa to 1060 hPa (0.5 bar to 1.06 bars)

INSTALLATION

Unpacking



EQUIPMENT ALERT

To avoid damaging the top or drawer fronts, do not use a knife or other sharp object to open the cart's packaging.

The Model 265 Procedures Cart is shipped in three pieces in one carton, the cabinet, column and caster base assembly along with the mounting hardware.

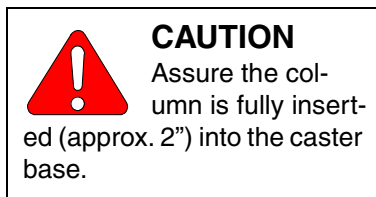


WARNING

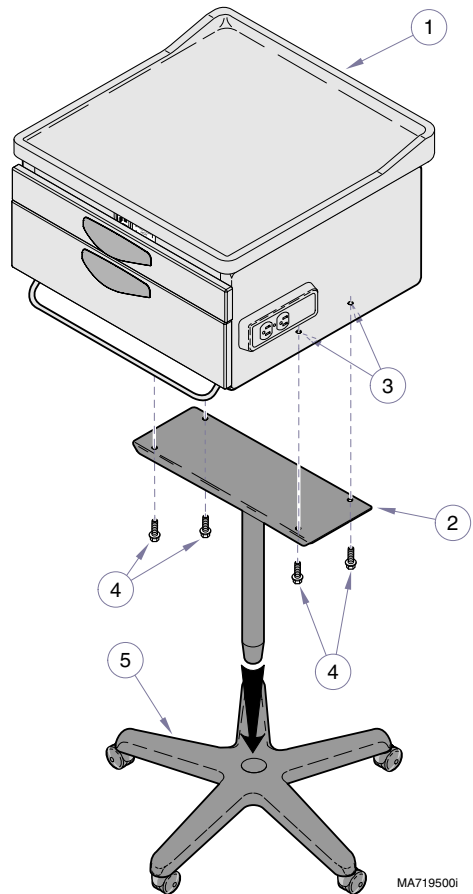
The cart weighs approximately 75 lbs (34 kgs). Have an assistant help remove the cart from the packaging and assemble the unit. Also, use proper lifting techniques when lifting table. Failure to do so could result in serious back injury.

Carefully remove the cabinet, column, caster base and hardware from the packaging and inspect for any shipping damage. Report any damage to the shipping company and fill out a concealed damage report.

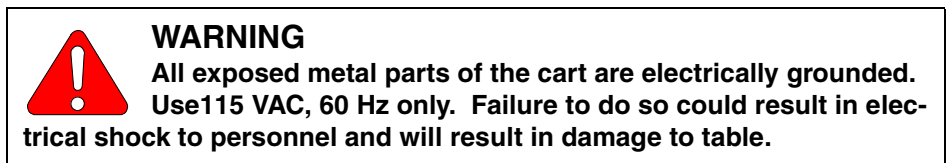
1. Position the cabinet assembly (1) on its top.
2. Place the column assembly (2) in position on the cabinet assembly (1) aligning the mounting holes (3).
3. Insert the four mounting bolts (4) and tighten to a torque of 75 to 85 inch / lbs.



4. Place the column and cabinet assembly in an upright position and fully insert (approx. 2") the column into the caster base assembly (5)



Electrical Requirements



The electrical rating for the Model 265 Procedures Cart with an optional drawer heater is 115 VAC, 60 Hz, 6.5 amps. The cart must be connected to a branch circuit in accordance with local and national electric codes. To prevent possible shock, the table's receptacle ground continuity should be periodically tested.

DESCRIPTION

Introduction

The 265 Medical Procedures Cart is primarily used in examination rooms for general examinations and minor procedures. There are two storage drawers which accommodate supplies used during examinations.

Features

The Model 265 Procedures Cart has . . .

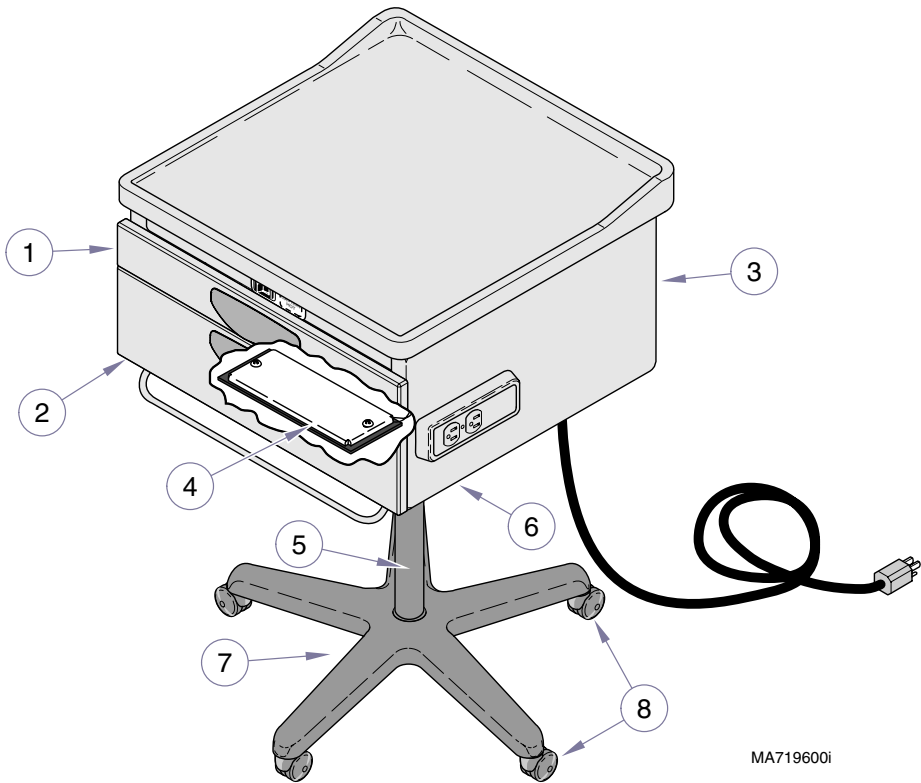
- an optional 50 watt heater which warms the contents of the bottom drawer.
- two storage drawers on steel ball bearing glides.
- styled drawer fronts which have molded hand pulls.
- vacuum-formed, inner drawer, divided inserts.
- an optional duplex, hospital grade, 115 VAC receptacle located on right side of cart.
- an optional 8 ft. power cord with hospital grade grounding type plug.
- an optional gas lift assembly for raising and lowering the height of the cart. (No electrical devices are available with the gas lift models).

Installation

Description

COMPONENTS OVERVIEW

The illustration below shows the location of the Procedure Cart's major components and the chart below provides their descriptive name.

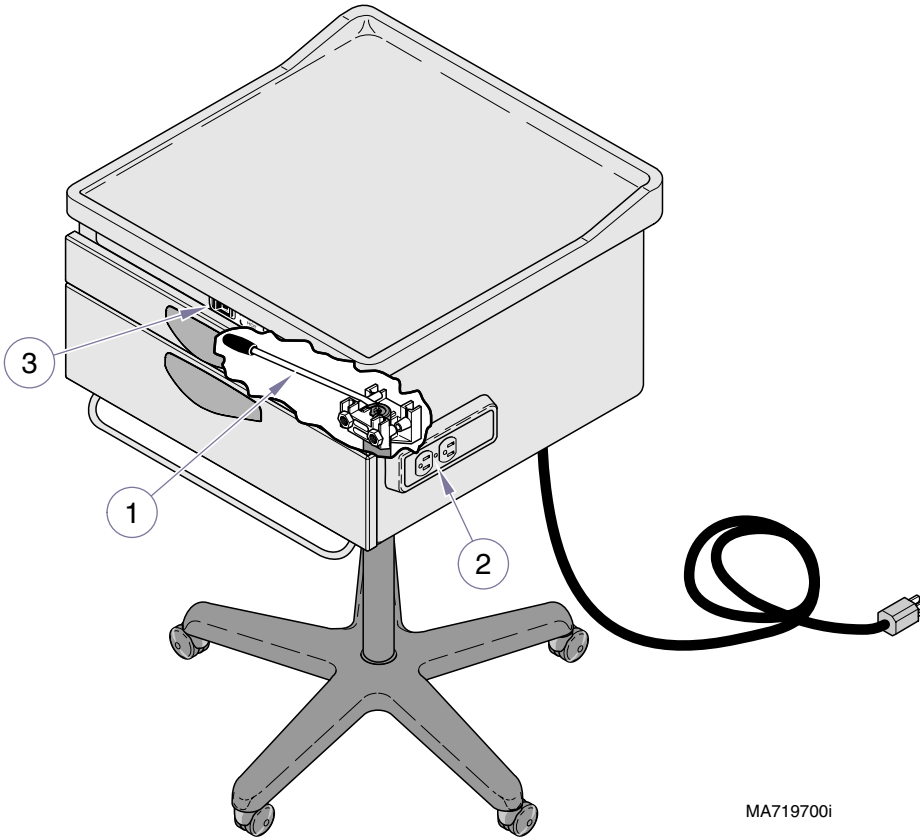


DESCRIPTION OF COMPONENTS

| | |
|--|--|
| 1. Drawer Assembly, Top | 5. Column Assembly |
| 2. Drawer Assembly, Bottom | 6. Gas Lift Assembly (only on Model 265-003) |
| 3. Cabinet Assembly | 7. Caster Base |
| 4. Drawer Heater (only on Model 265-002) | 8. Casters |

CONTROLS & INDICATORS

The illustration below shows the location of the Procedure Cart's controls and indicators and the chart below describes their function.

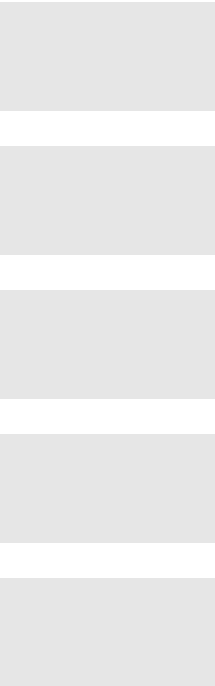


MA719700i

| Ref. | Control | Function |
|------|---|--|
| 1 | release handle (only on Model 265-003) | used to operate the gas cylinder to raise or lower the cabinet assembly |
| 2 | receptacle(s) (only on Model 265-002) | provide power to accessories and / or instruments used during an examination. |
| 3 | heater on / off switch (only on Model 265-002) | turns the drawer warmer heater on or off. The switch illuminates to indicate that the heater is operating. |

Components Overview

Controls & Indicators



OPERATION



WARNING

Do not use the Model 265-002 Procedures Cart in an explosive or oxygen-rich atmosphere. To do so could result in an explosion or fire.

Gas Cylinder (Model 265-003 only)

The cabinet assembly table surface on the cart can be raised and lowered between 26 1/2" (67.3 cm) to 32 1/2" (82.6 cm). To raise the cabinet simply lift upward on the release handle. To lower the cabinet section, while lifting the release handle, push the cabinet section down to the desired position.



EQUIPMENT ALERT

Do not use the release handle to transport or move the cart. Failure to comply may cause damage to the gas cylinder or lift assembly.

Drawer Heater (Model 265-002 only)



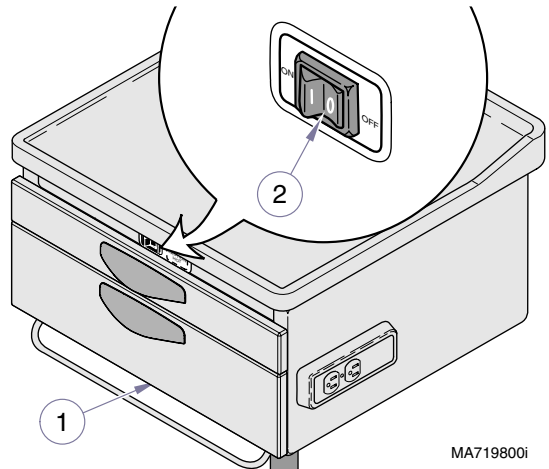
CAUTION

The drawer heater may be accessed by removing the bottom drawer; it is hot and could result in minor burns to hands. Also, the bottom metal surface of the drawer may be hot and could result in minor burns to your hand.

The drawer heater preheats the contents of the bottom drawer (1) to approximately body temperature.

To operate the heater, turn the heater on/ off switch (2) to ON "I". The switch will illuminate to indicate that the heater is operating.

To turn the heater off, turn the heater on / off switch (2) to OFF "O". The switch will stop illuminating, indicating that the heater is no longer operating.



MA719800i

OPERATOR MAINTENANCE

Preventive Maintenance

Little routine maintenance is required other than periodic inspection of the electrical cord to ensure it is free of cuts or damage, periodic inspection of the mechanical functions to ensure satisfactory operation, and periodic check of fasteners to ensure they are present and tightened securely.

Have your authorized dealer inspect your procedures cart every six months. Lubricate moving parts (such as the ball bearing drawer slides) with a light machine oil or grease to assure quiet, smooth, and dependable operation.

Cleaning

Top Cabinet Surface



EQUIPMENT ALERT

The material that covers the top of the cart is resistant to most medicinal-types stains, but may be damaged by solvents and dyes.

Remove any fluids which are spilled on the surface immediately.

Regular care should be maintained by daily wiping with a damp cloth or sponge, and periodic cleaning with a mild soap and water solution.

Painted Metal Surfaces

Wipe all painted metal surfaces with a clean cloth at least once a week. Apply paste wax periodically to preserve the surface luster.

Drawers

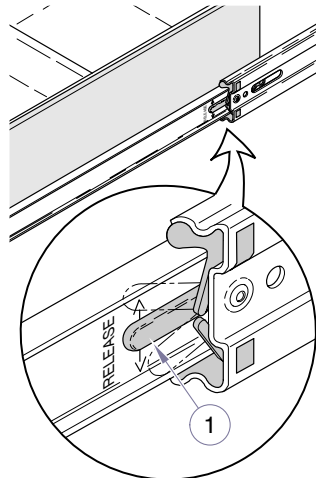


CAUTION

Turn off drawer heater and let it cool before removing bottom drawer for cleaning. Failure to do so could result in minor burns.

To remove the drawer do the following:

1. Pull outward on the drawer until it stops.



MA719900i

Operation

Operator
Maintenance

- Depress and hold the plastic release tabs (1), that are located on the drawer slides, up or down and continue to pull the drawer outward.

NOTE

The drawer dividers cannot be removed but should be periodically cleaned with a damp cloth or mild soap and water solution.

Unpainted Metal Surfaces

Wipe all unpainted metal surfaces with a clean cloth. Use petroleum jelly or other white lubricants on moving parts. Lubrication will allow free movement of sliding parts and reduce noise.

CALLING FOR SERVICE

If you are having a problem or have a question, refer to the inside front cover of this manual and call your dealer. *Make sure that you have the information that is highlighted on the inside front cover of this manual available.* If you can't resolve your question or problem with your dealer, call the following number:

1-800-Midmark (1-800-643-6275)
8:00 a.m until 5:00 p.m. (Eastern Standard Time in the U.S.)
Monday thru Friday, except for standard U.S. holidays.

SPECIFICATIONS

Weight of Cart..... 75 lbs (34 kg)

Dimensions:

Cabinet Height..... 10" (25.4 cm)

Cabinet Width..... 20 3/4" (52.7 cm)

Cabinet Depth 18" (45.7 cm)

Cart Top Surface Height 30 1/4" (76.8 cm) Model 265-001 and 002

Cart Backsplash Height..... 30 7/8" (78.4 cm) Model 265-001 and 002

Cart Top Surface Height

(Fully Retracted 26 1/2" (67.5 cm) Model 265-003

(Fully Extended) 32 1/2" (82.6 cm) Model 265-003

Cart Backsplash Height

(Fully Retracted 27 3/16" (67.5 cm) Model 265-003

(Fully Extended) 33 1/16" (84.0 cm) Model 265-003

Electrical Requirements 115 VAC, 60 Hz, 6.5 amps

Power Cord

Length 8 ft (243.8 cm) from bottom of cabinet.

**Calling For
Service**

Specifications

LIMITED WARRANTY

SCOPE OF WARRANTY

Midmark Corporation (“Midmark”) warrants to the original purchaser its new Alternate Care products and components (except for components not warranted under “Exclusions”) manufactured by Midmark to be free from defects in material and workmanship under normal use and service. Midmark’s obligation under this warranty is limited to the repair or replacement, at Midmark’s option, of the parts or the products the defects of which are reported to Midmark within the applicable warranty period and which, upon examination by Midmark, prove to be defective.

APPLICABLE WARRANTY PERIOD

The applicable warranty period, measured from the date of delivery to the original user, shall be one (1) year for all warranted products and components.

EXCLUSIONS

This warranty does not cover and Midmark shall not be liable for the following: (1) repairs and replacements because of misuse, abuse, negligence, alteration, accident, freight damage, or tampering; (2) products which are not installed, used, and properly cleaned as required in the Midmark “Installation” and or “Installation / Operation Manual for this applicable product. (3) products considered to be of a consumable nature; (4) accessories or parts not manufactured by Midmark; (5) charges by anyone for adjustments, repairs, replacement parts, installation, or other work performed upon or in connection with such products which is not expressly authorized in writing in advance by Midmark.

EXCLUSIVE REMEDY

Midmark’s only obligation under this warranty is the repair or replacement of defective parts. Midmark shall not be liable for any direct, special, indirect, incidental, exemplary, or consequential damages or delay, including, but not limited to, damages for loss of profits or loss of use.

NO AUTHORIZATION

No person or firm is authorized to create for Midmark any other obligation or liability in connection with the products.

THIS WARRANTY IS MIDMARK’S ONLY WARRANTY AND IS IN LIEU OF ALL OTHER WARRANTIES, EXPRESS OR IMPLIED. MIDMARK MAKES NO IMPLIED WARRANTIES OF ANY KIND INCLUDING ANY WARRANTIES OF MERCHANTABILITY OR FITNESS FOR ANY PARTICULAR PURPOSE. THIS WARRANTY IS LIMITED TO THE REPAIR OR REPLACEMENT OF DEFECTIVE PARTS.

SF-1487 REV. A1

**Calling For
Service**

Specifications

**Limited
Warranty**

NOTES:



MIDMARK[®]

Midmark Corporation, Versailles, Ohio 45380 U.S.A.
937-526-3662 FAX: 937-526-5542

© Midmark Corporation - 2005

003-1568-00 Rev. A (9/05)