



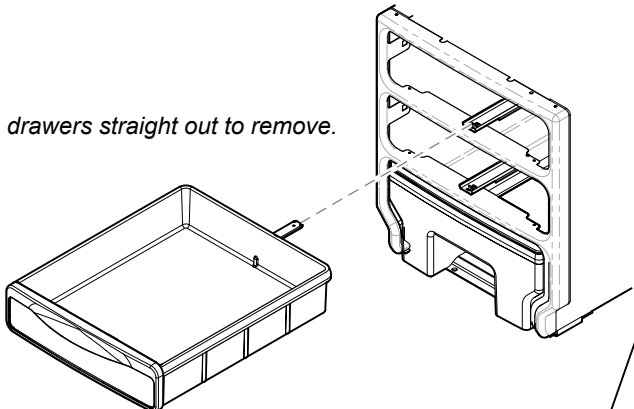
# Welch-Allyn Light Bracket [9A351]

- Components:**  
 Nuts ..... 4  
 Support Brace ..... 1  
 Light Bracket ..... 1  
 Screw ..... 2
- Special Tools:**  
 drill  
 5/16" drill bit

**Intended Use:**  
 To mount Welch-Allyn 48700 / 48800 light to 204 or 604 exam table.

**Step 1:** Remove two foot end drawers.  
 Note: Refer to illustrations below for instructions on removing drawers.

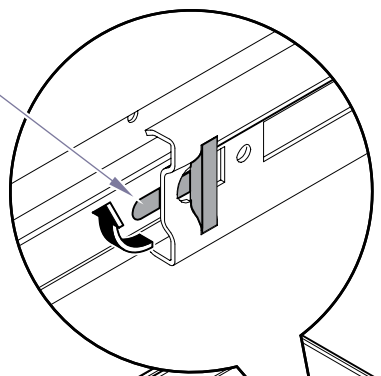
**204**  
 Pull both drawers straight out to remove.



**604**  
 To remove top drawer...  
 Press release tab on RH slide UP.  
 Press release tab on LH slide DOWN.  
 Pull top drawer straight out.

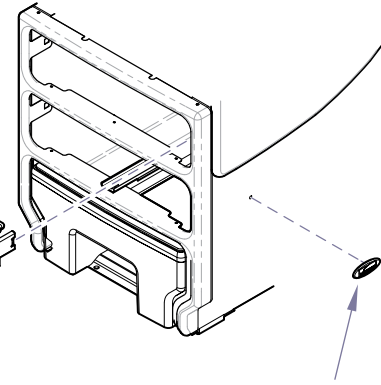
To remove bottom drawer...  
 Pull bottom drawer straight out.

Drawer Release Tab



**604 only**  
**Step 2:** Remove Midmark nameplate.

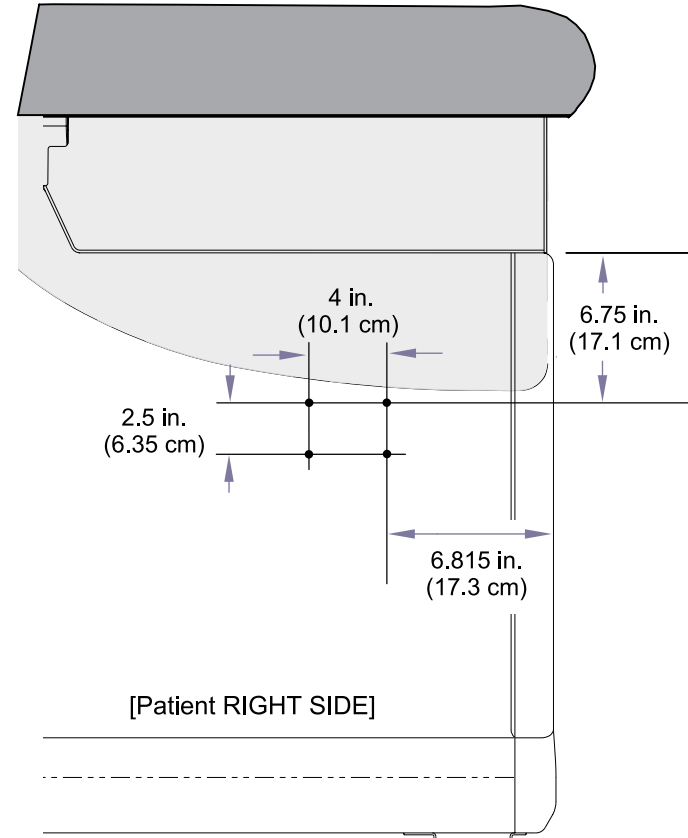
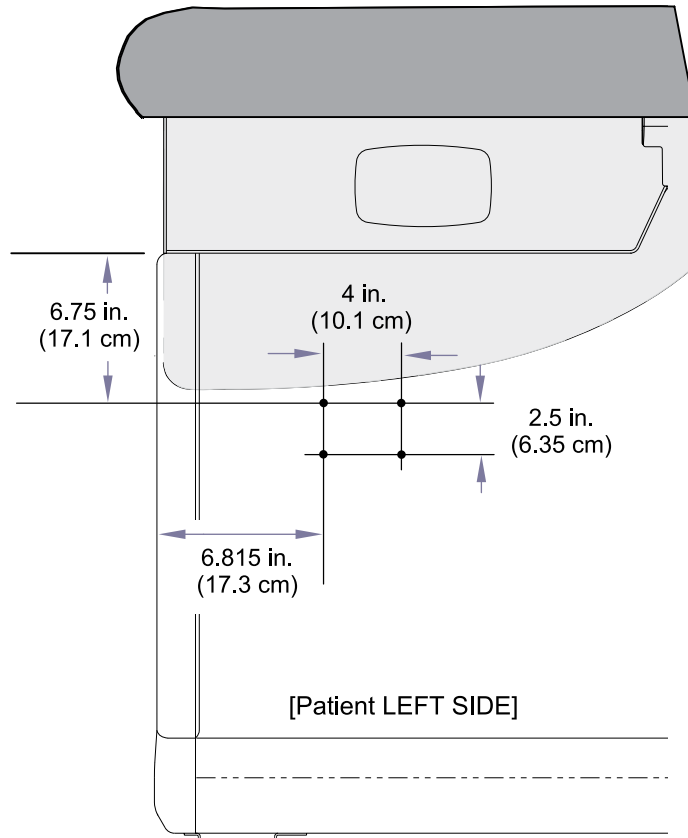
Midmark Nameplate



MA749700i

**Step 3:** Mark hole locations on either the Left or Right side panel.

*Note: Refer to illustrations below for measurements.*



MA707801i

**Step 4:** Using the light bracket, confirm proper hole location and ensure light bracket does not interfere with side cladding.

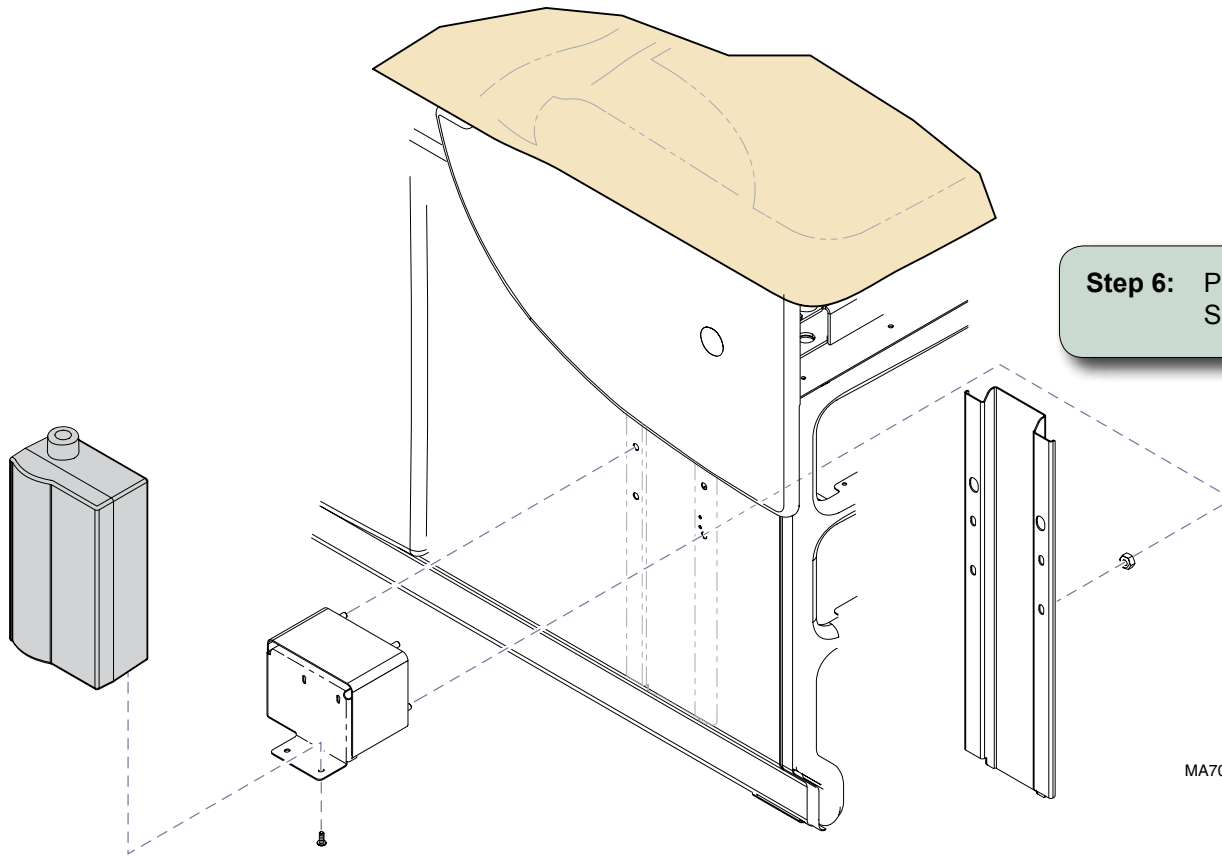
*Note: Side cladding used on 604 models only.*



**Equipment Alert**

604 models: Do not drill thru side cladding!  
Refer to illustration, then double-check measurements.

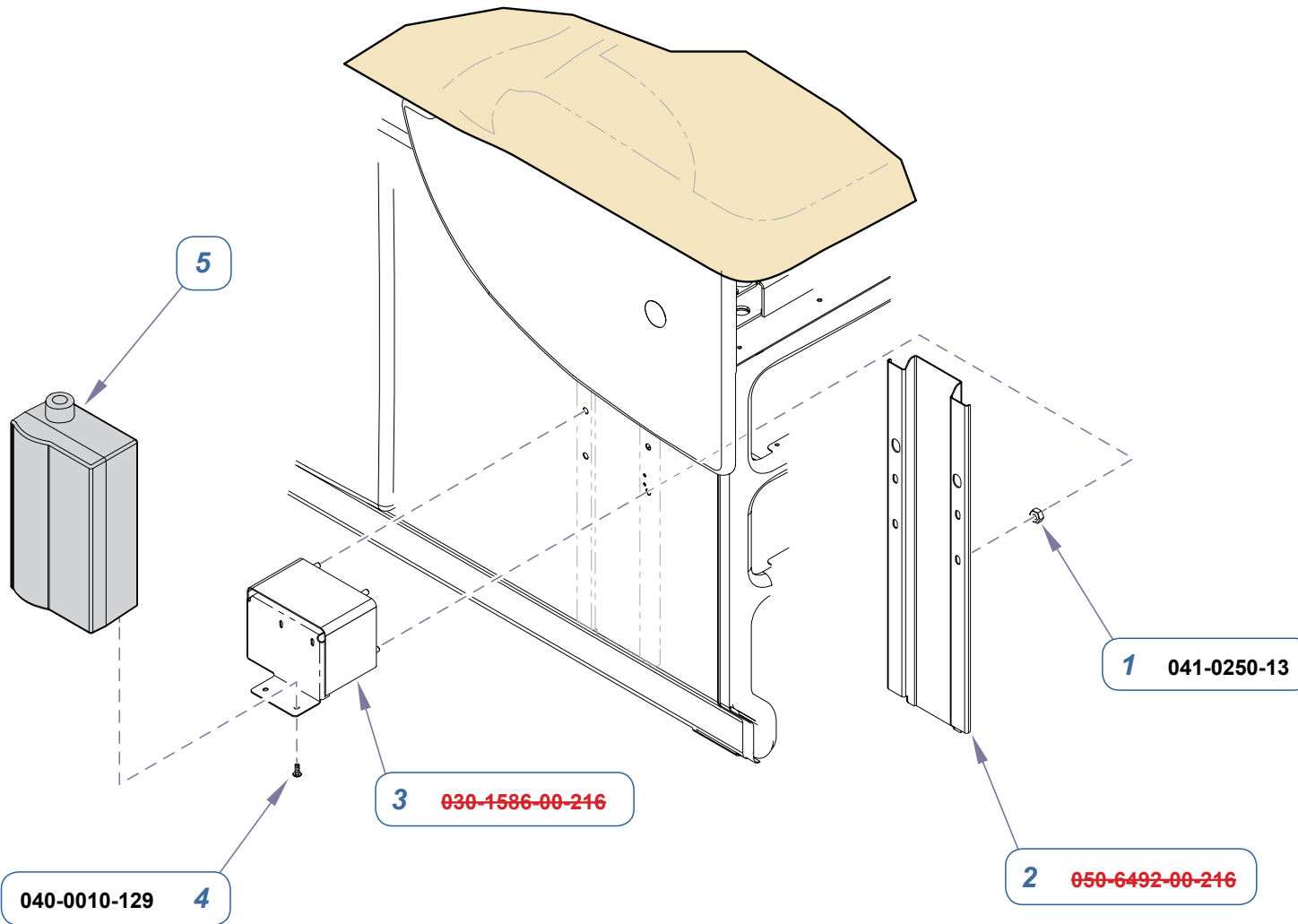
**Step 5:** Drill four 5/16" mounting holes.



**Step 6:** Position light bracket & support brace. Secure with four nuts.

**Step 7:** Position Welch-Allyn light (not included). Secure with two screws.

MA707701i



MA707600i

**9A351004 Welch-Allyn Light Bracket**  
(includes items 1 thru 4)

Item	Description	Qty.
1	• Nut	4
2	• Support Brace	1
3	• Light Bracket	1
4	• Screw	2
5	Welch-Allyn Light (model 48700 / 48800) (not included)	Ref

Serial Numbers / Dates:

all