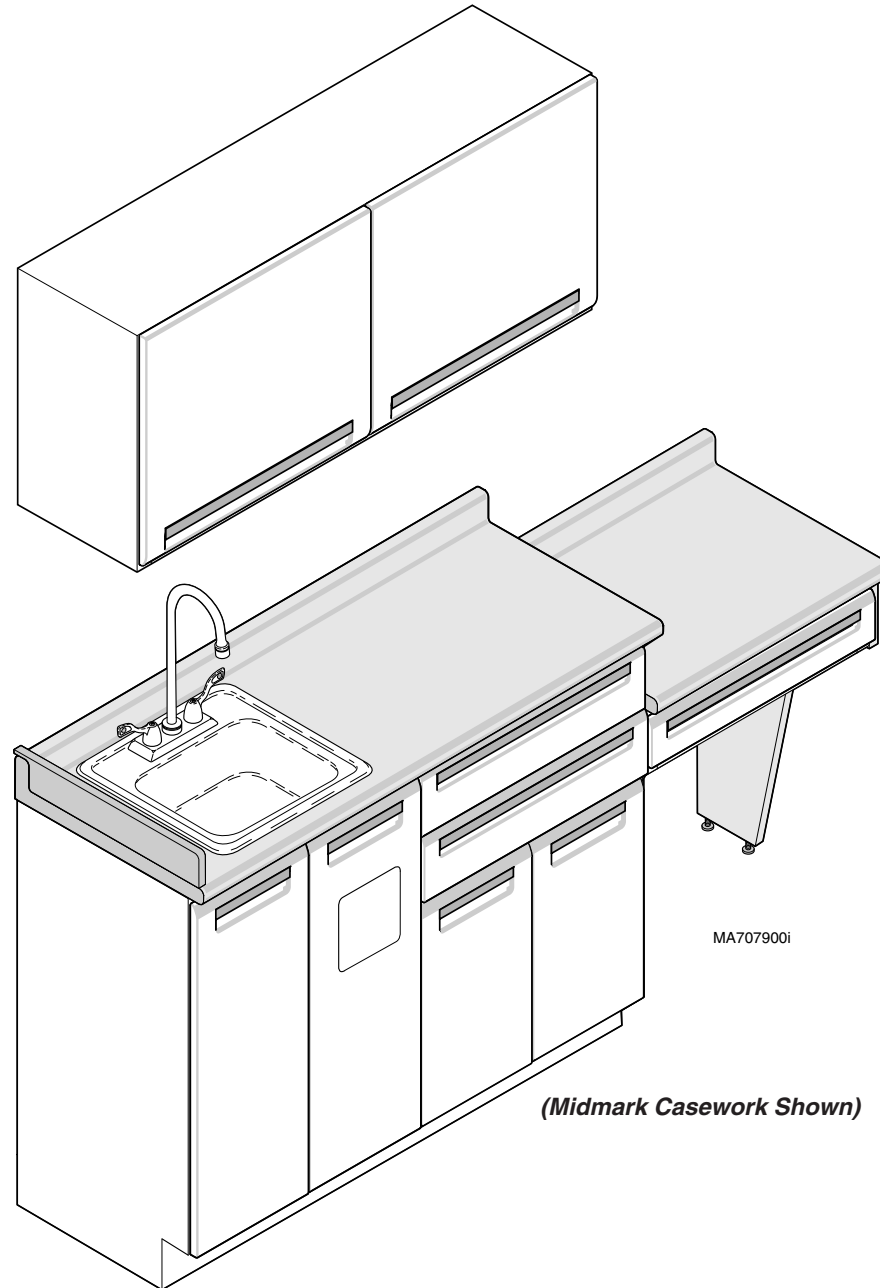


Exam Room Casework Installation



Required Tools

Stud Finder
Level
1/4" deep well socket
Caulking Gun
Belt Sander
Screwdriver with phillips head (Cordless optional)
Tape measure



NOTES:

- All plumbing must be made by a licensed plumbing contractor and conform to local, city, and national codes pertaining to the installation.
- The wall layout shows a LH unit. If unit being installed is a RH unit, layout and dimensions are mirror image.

Attention!

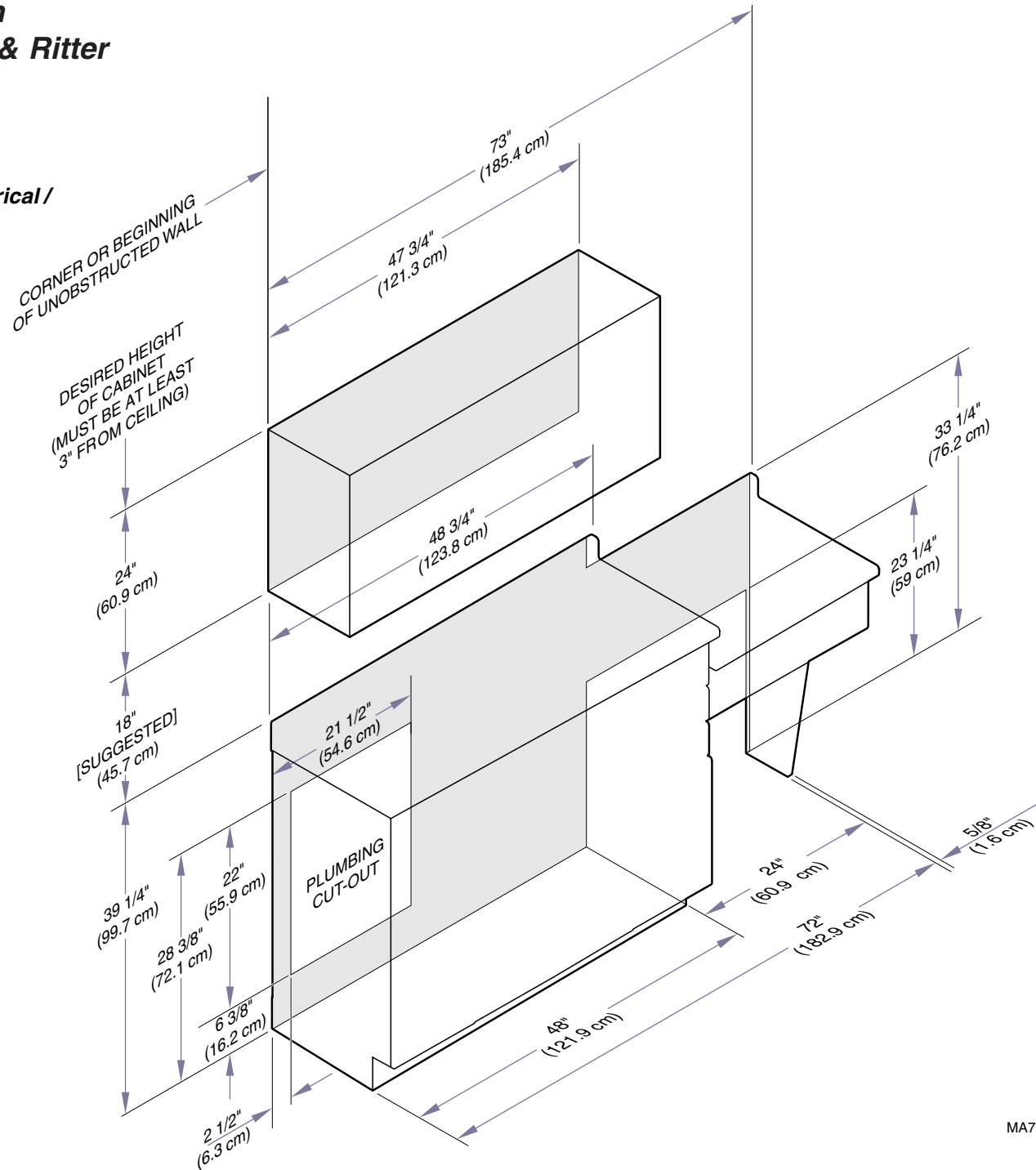
For OSHPD Regulated Installations, please go to www.midmark.com to download the appropriate OSHPD Pre-Approval and Installation documents.

(Midmark Casework Shown)

Wall Layout Preparation for Midmark (w/inserts) & Ritter

NOTE:

Use the layout below for electrical / plumbing installation.

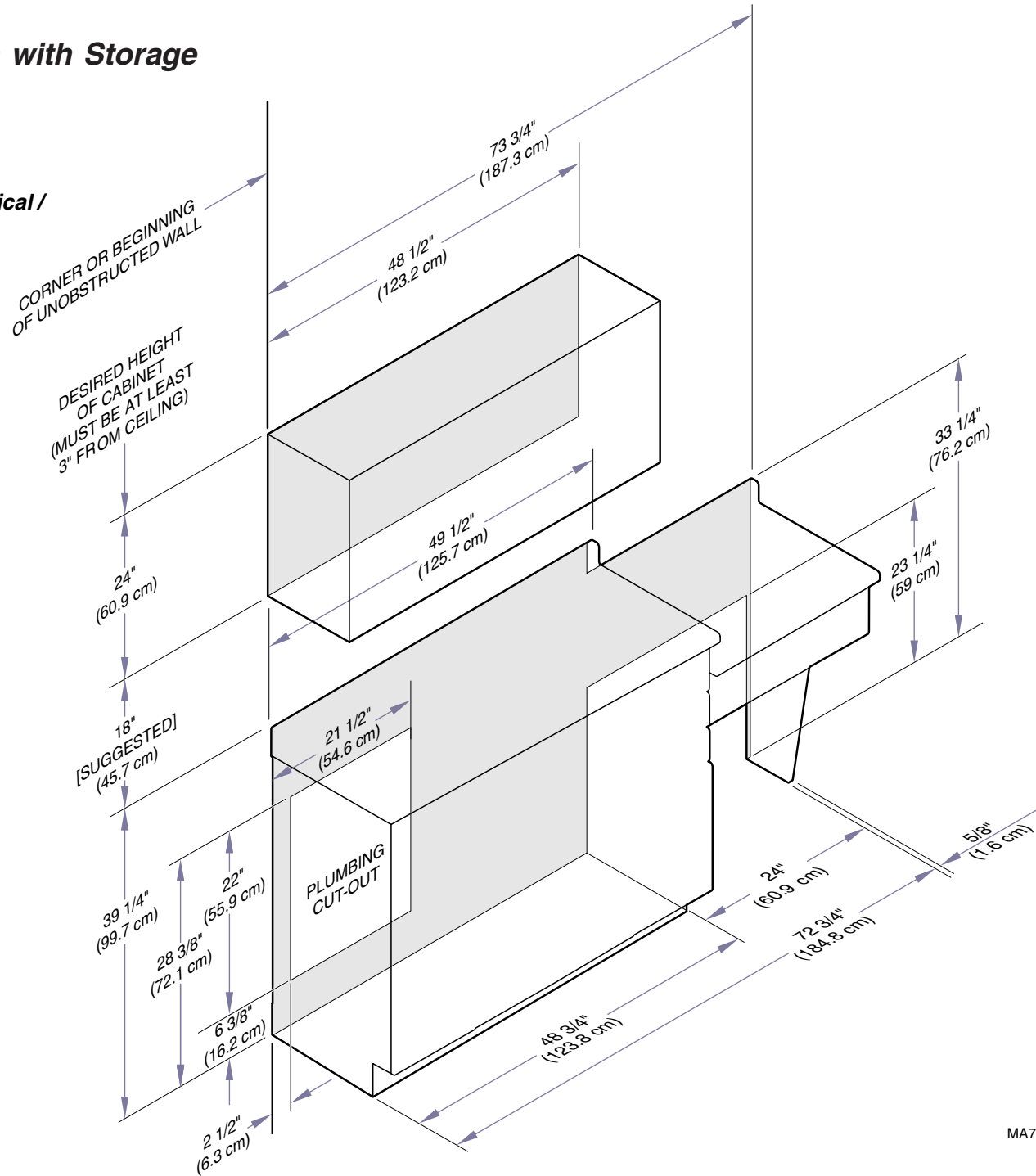


MA708000i

Wall Layout Preparation for Midmark Wood Grain with Storage End Panels

NOTE:

Use the layout below for electrical / plumbing installation.

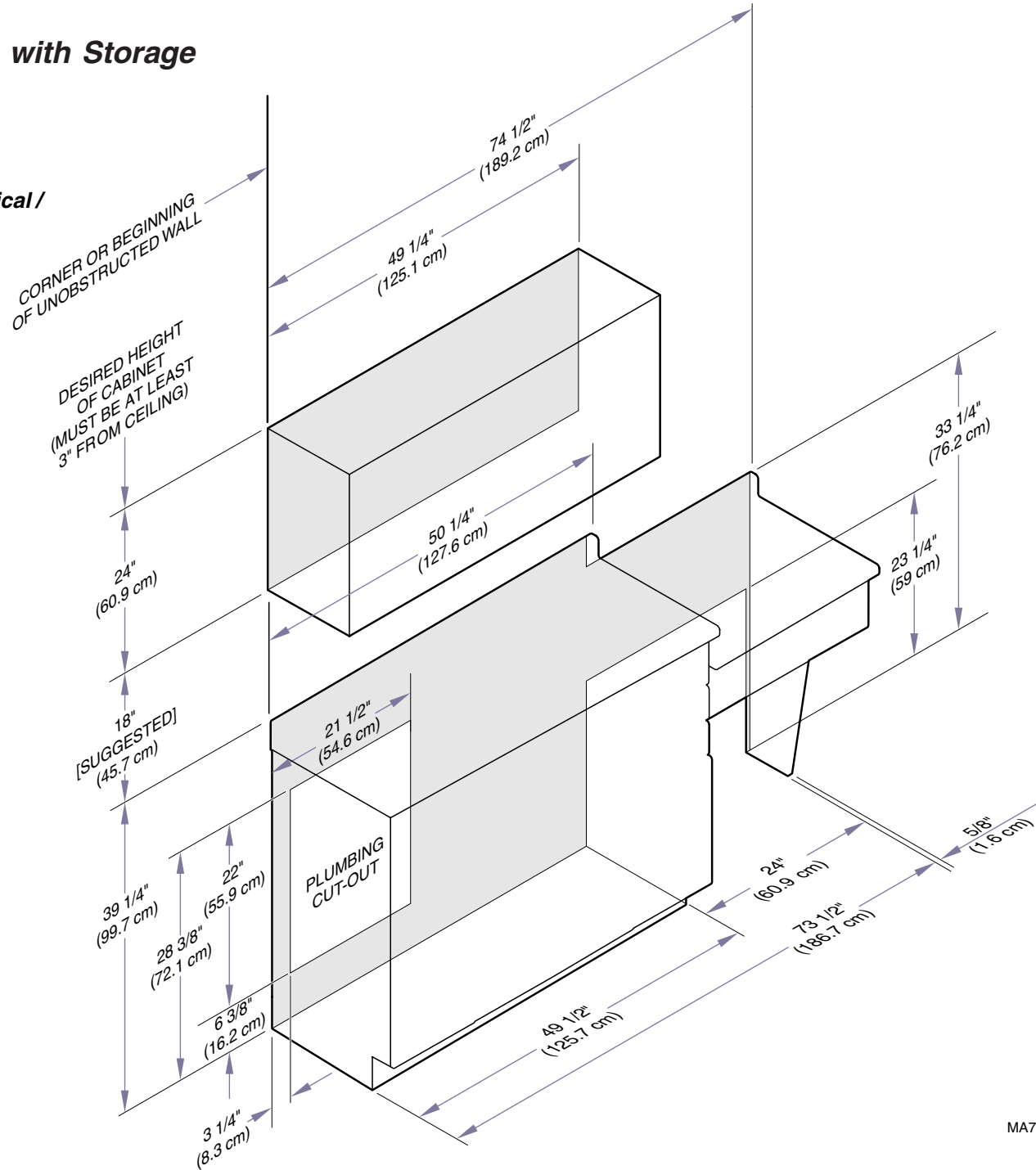


MA721600i

Wall Layout Preparation for Midmark Wood Grain with Storage & Sink End Panels

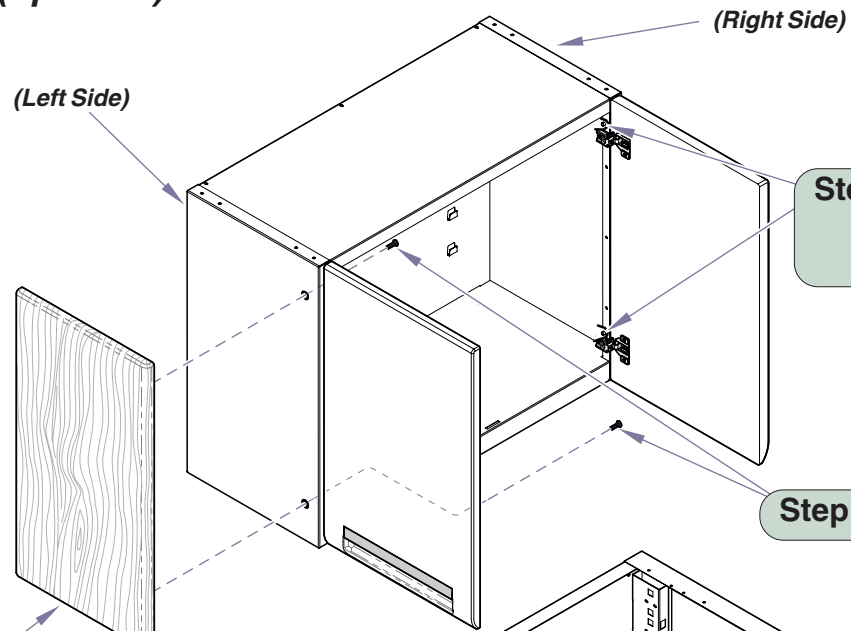
NOTE:

Use the layout below for electrical / plumbing installation.



MA721700i

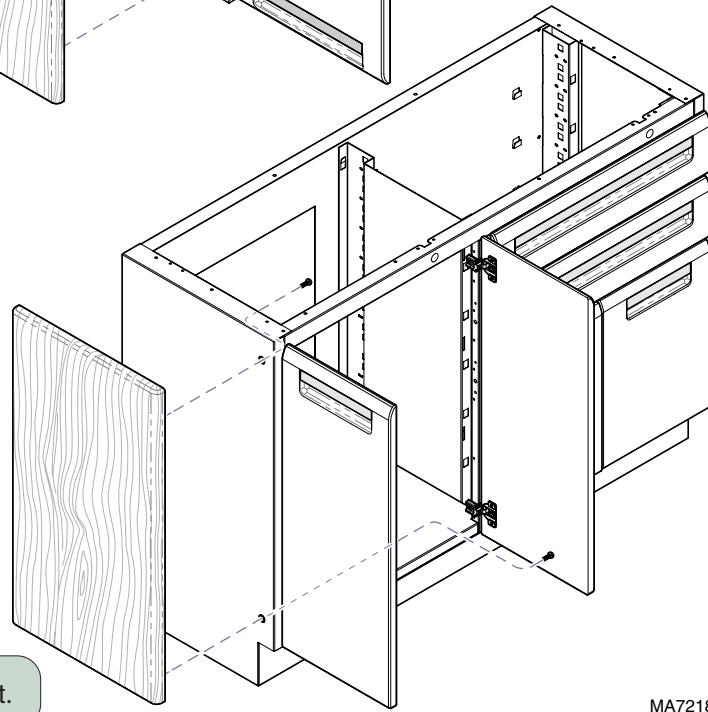
Installation of Wood Grain End Panels for Overhead & Base Cabinet (optional)



Step 1: Installing on RH side, drill out nutserts with 9/32" bit. If installing on LH side, go to step 2.

Step 3: Install #10 x 5/8" screws. (supplied)

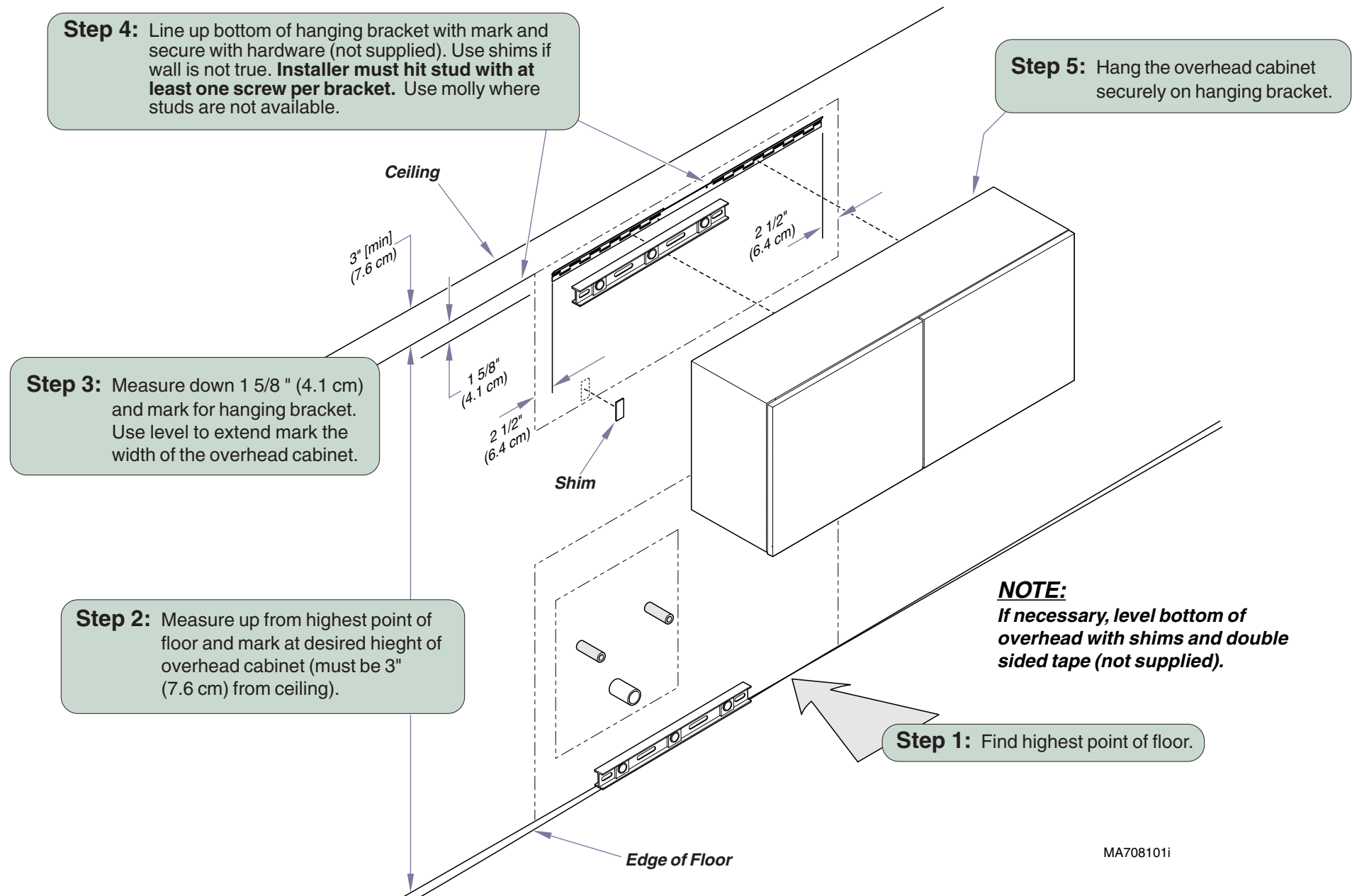
Step 2: Place end panel, with magnets to rear of cabinet. Panel should be aligned with cabinet edges.



Step 4: Repeat steps for base cabinet.

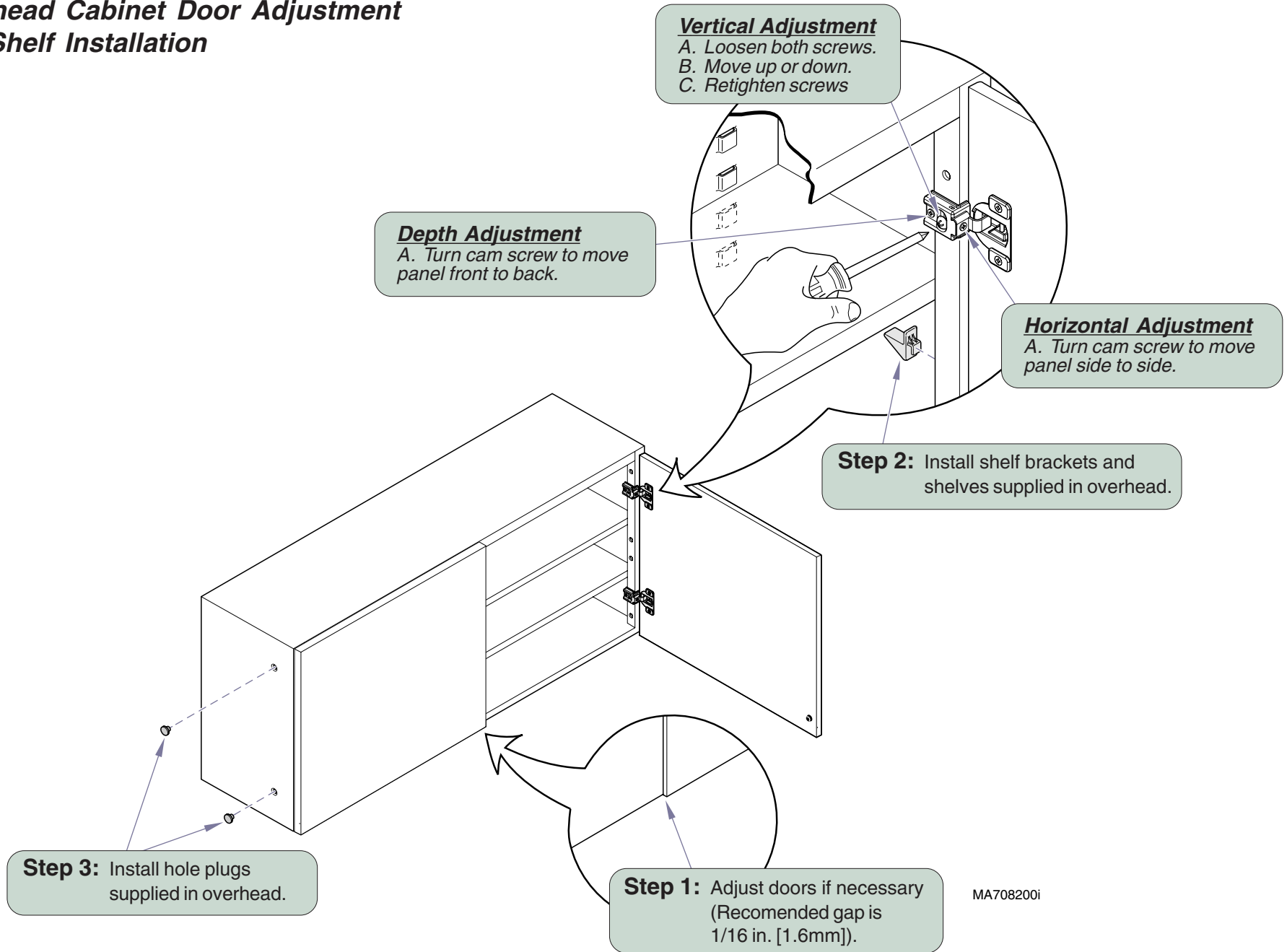
MA721801i

Overhead Cabinet Installation



MA708101i

Overhead Cabinet Door Adjustment and Shelf Installation



Sink Installation

Step 3: Install hole plugs on (Both sides).

Step 1: Move the base cabinet into position against wall.

Note: Make sure levelers are at their lowest position.

Step 2: Level the base cabinet by adjusting the leveling screws.

Equipment Alert
Do not adjust leveling screws more than 1 1/2" (3.8 cm) to prevent loss of stability.

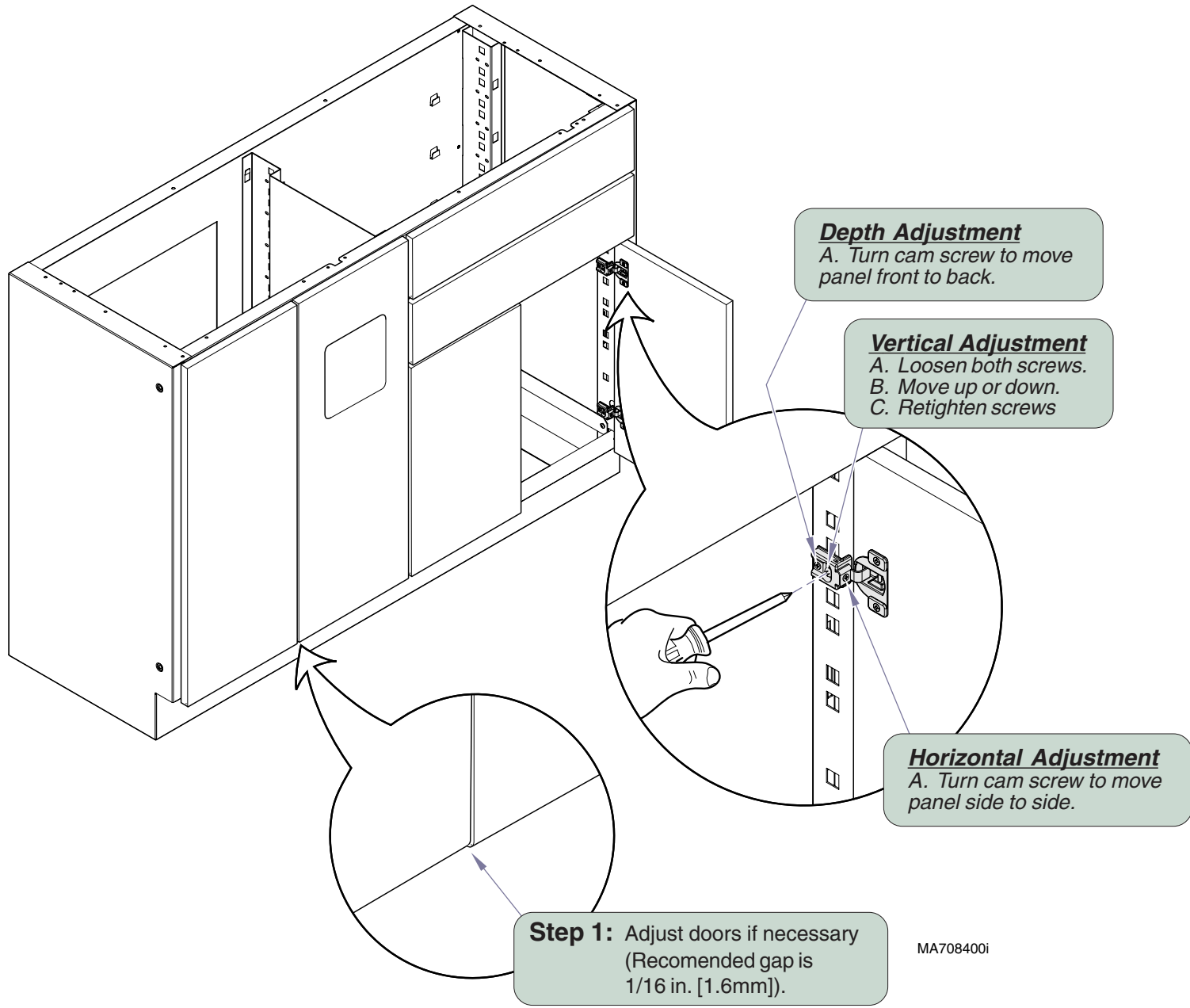
LOWER CABINET RAISE CABINET

1/4" Socket for adjustment

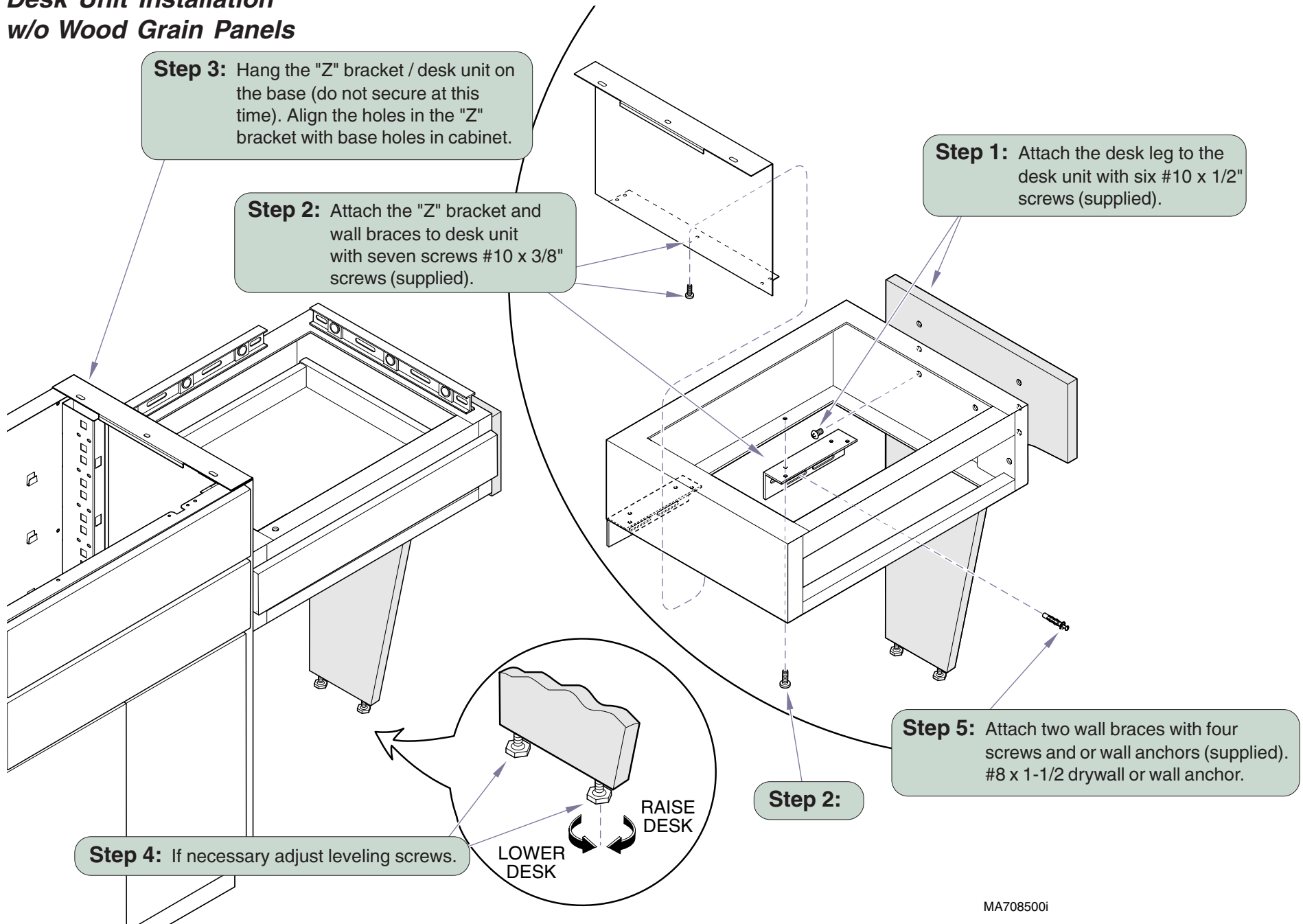
1 1/2" (max.) (3.8 cm)

MA708300i

Base Cabinet Door Adjustment



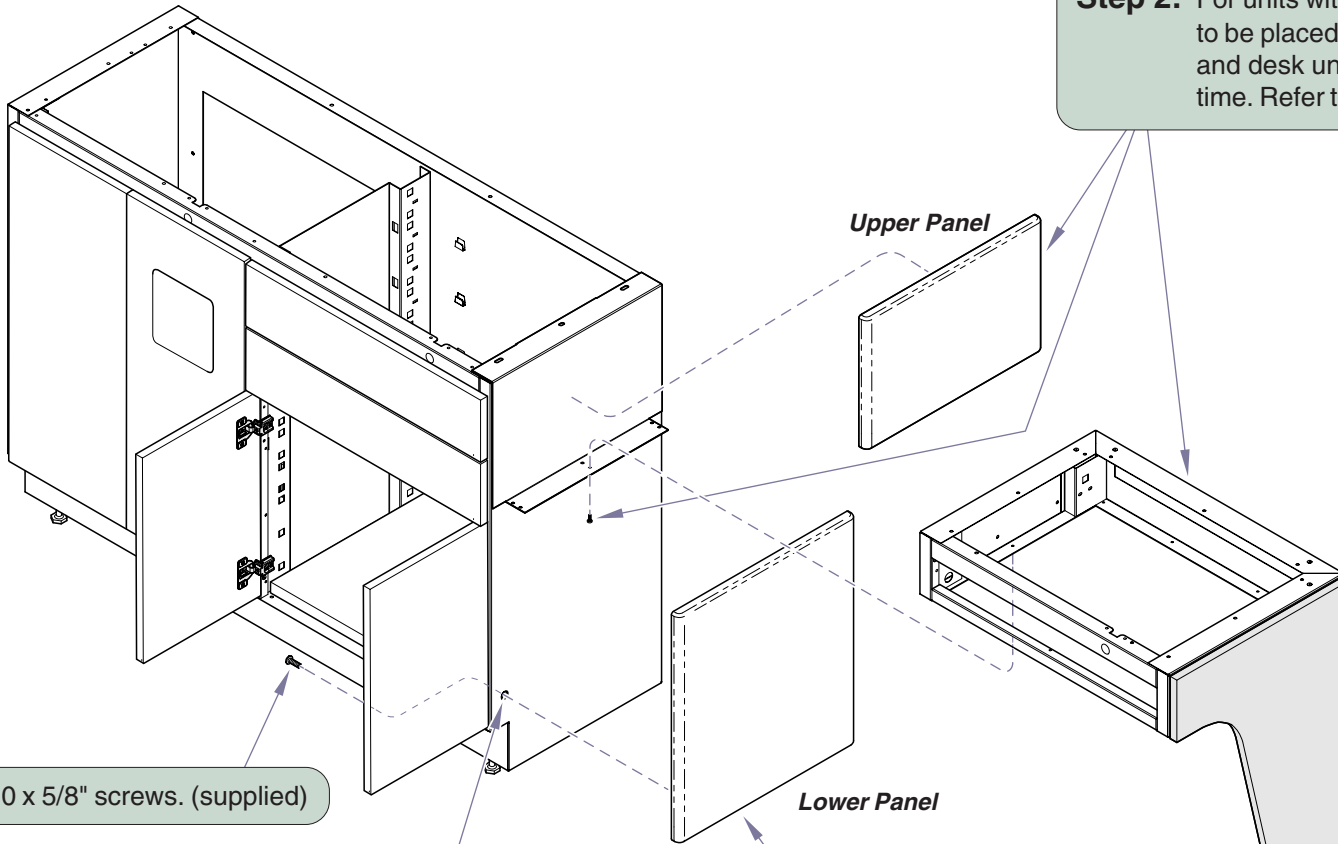
Desk Unit Installation w/o Wood Grain Panels



MA708500i

Installation of Wood Grain End Panels for Base (optional)

Step 2: For units with desk, upper panel is to be placed between "Z" bracket and desk unit. Install desk at this time. Refer to previous page.



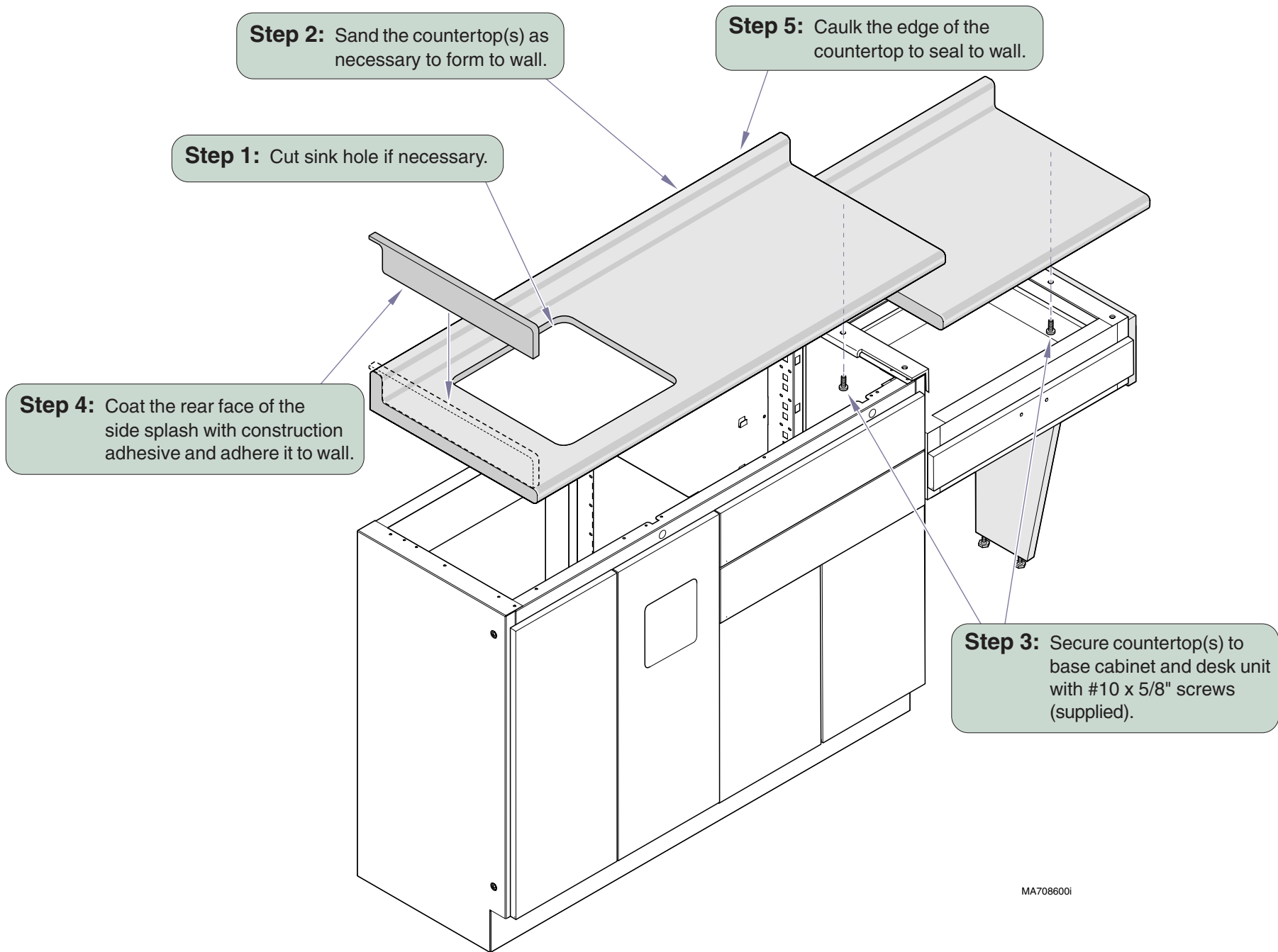
Step 4: Install #10 x 5/8" screws. (supplied)

Step 1: If a panel is on RH side, drill out nutserts with 9/32" bit.

Step 3: Place lower panel with magnets to rear of cabinet.

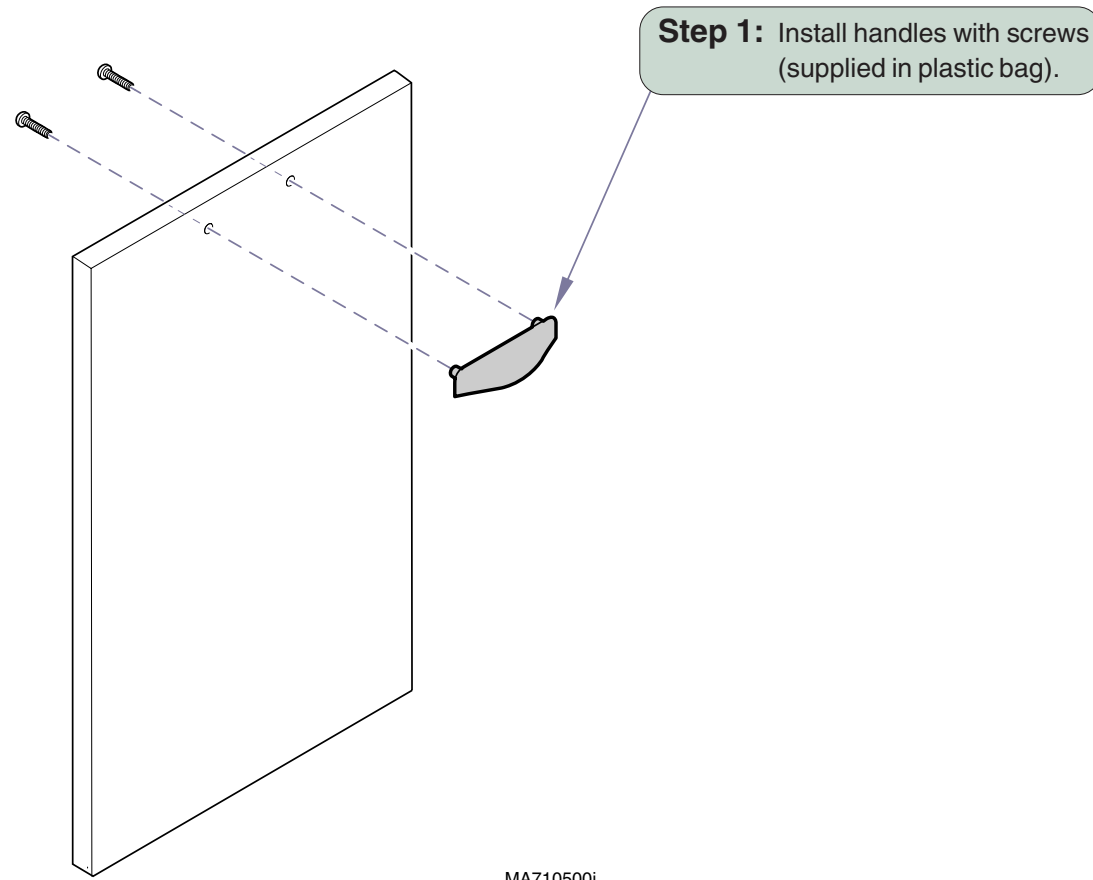
MA7219001

Countertop Installation



MA7086001

Door Assembly



(Ritter)

MA710500i

Midmark Corporation
60 Vista Drive
P.O. Box 286
Versailles, OH 45380-0286
937-526-3662
Fax 937-526-5542
www.midmark.com

