



# Socket Accessory Installation

*Applies to: Assist Arms [9A354, 9A632]*

**Components:**

Sockets:  
 Screws..... 4  
 Accy. Sockets ..... 2

Assist Arms:  
 Assist Arms..... 2

**Intended Use:**  
 To assist patient mounting / dismounting table

**Restrictions:**  
 9A354, 9A632 Assist Arms to be used on 204/604, 222/223, and 625 models with 28" upholstery only.

**Midmark models**

**Note**  
 The cladding on 604 models with serial numbers Vxxxxx thru present is magnetic. It is **not** necessary to remove drawers / screws.

**Step 1:** Remove two drawers from foot end.  
*Note: To remove top drawer, pull drawer all the way out, then:  
 Press tab on RH slide down.  
 Press tab on LH slide up.*

**Step 2:** Remove side cladding.

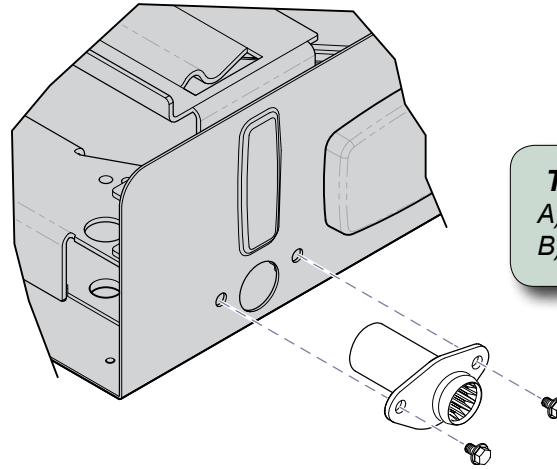
*Serial #'s prior to V1177445:  
 Cladding is secured with screws from inside cabinet.*

**Step 3:** Remove hole plugs.  
**Go to next page for socket installation.**

**Ritter models**

**Step 1:** Carefully pry hole plugs out of upperwrap.  
**Go to next page for socket installation.**

## Socket Installation



### **To install accessory socket...**

- A) Insert socket into upperwrap.
- B) Secure with two screws.

MA7212000i

## Accessory Installation

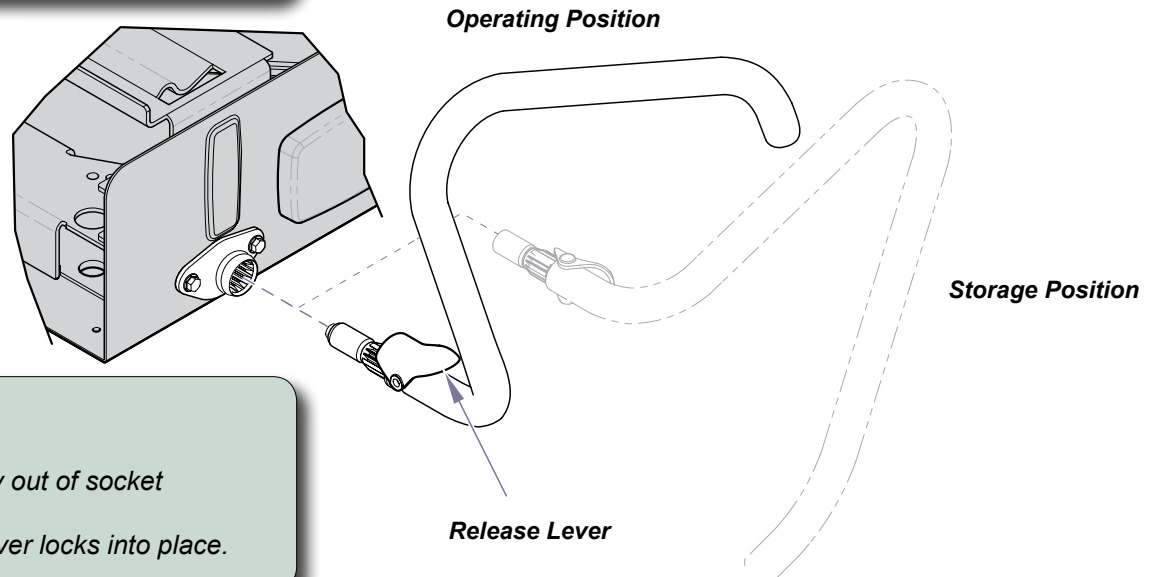
### **To install accessory...**

- A) Position accessory as shown.
- B) Insert into socket until release lever locks into place.

### **To remove:**

Squeeze release lever, then pull accessory out of socket.

**Assist Arms (9A354\*, 9A632)**

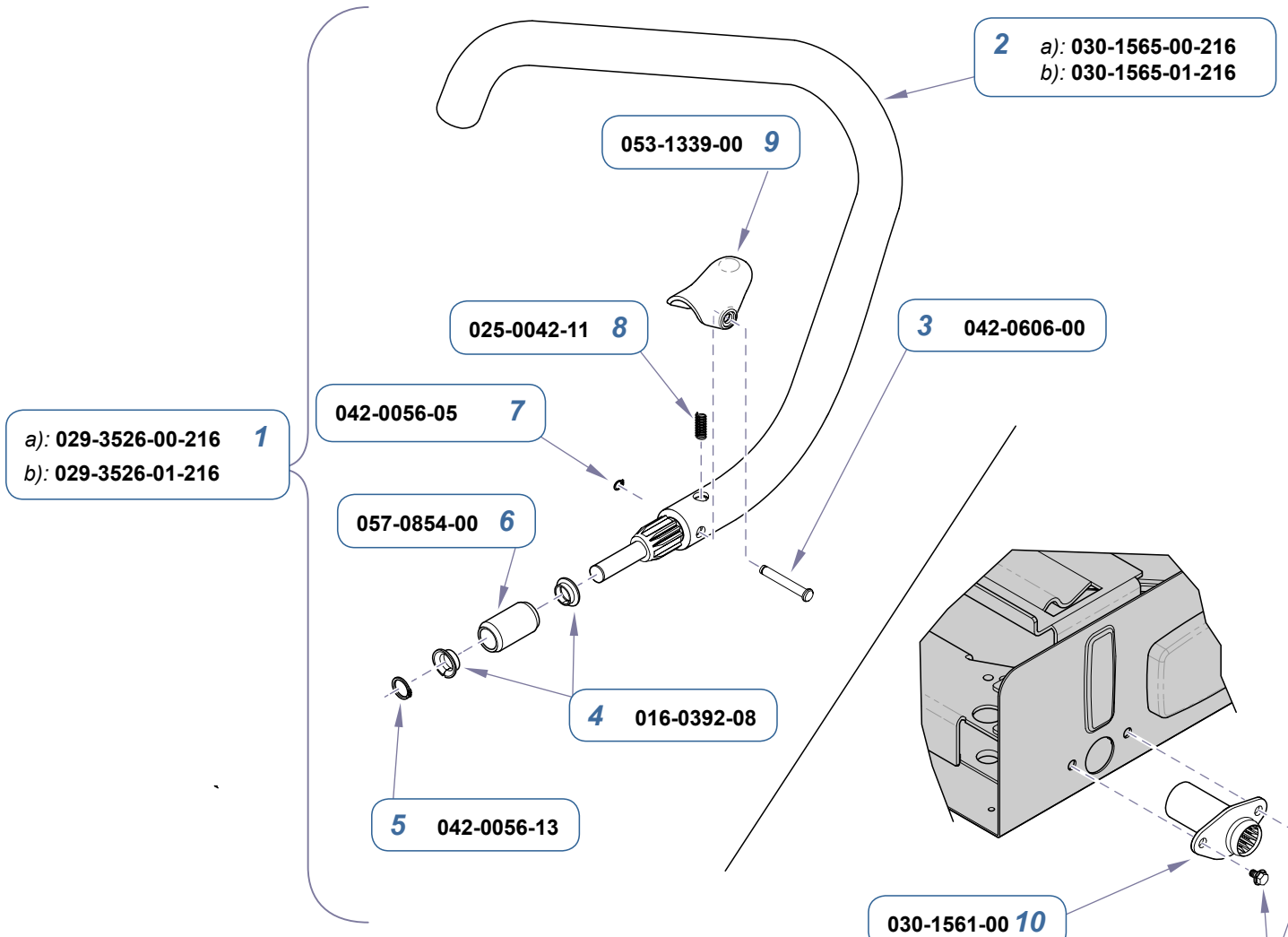


### Assist Arms only

#### **To reposition...**

- A) Squeeze release lever & pull partially out of socket
- B) Rotate to desired position.
- C) Push arm into socket until release lever locks into place.

MA7215000i



a): 029-3526-00-216 **1**  
 b): 029-3526-01-216

**2** a): 030-1565-00-216  
 b): 030-1565-01-216

025-0042-11 **8**

**3** 042-0606-00

042-0056-05 **7**

057-0854-00 **6**

**4** 016-0392-08

**5** 042-0056-13

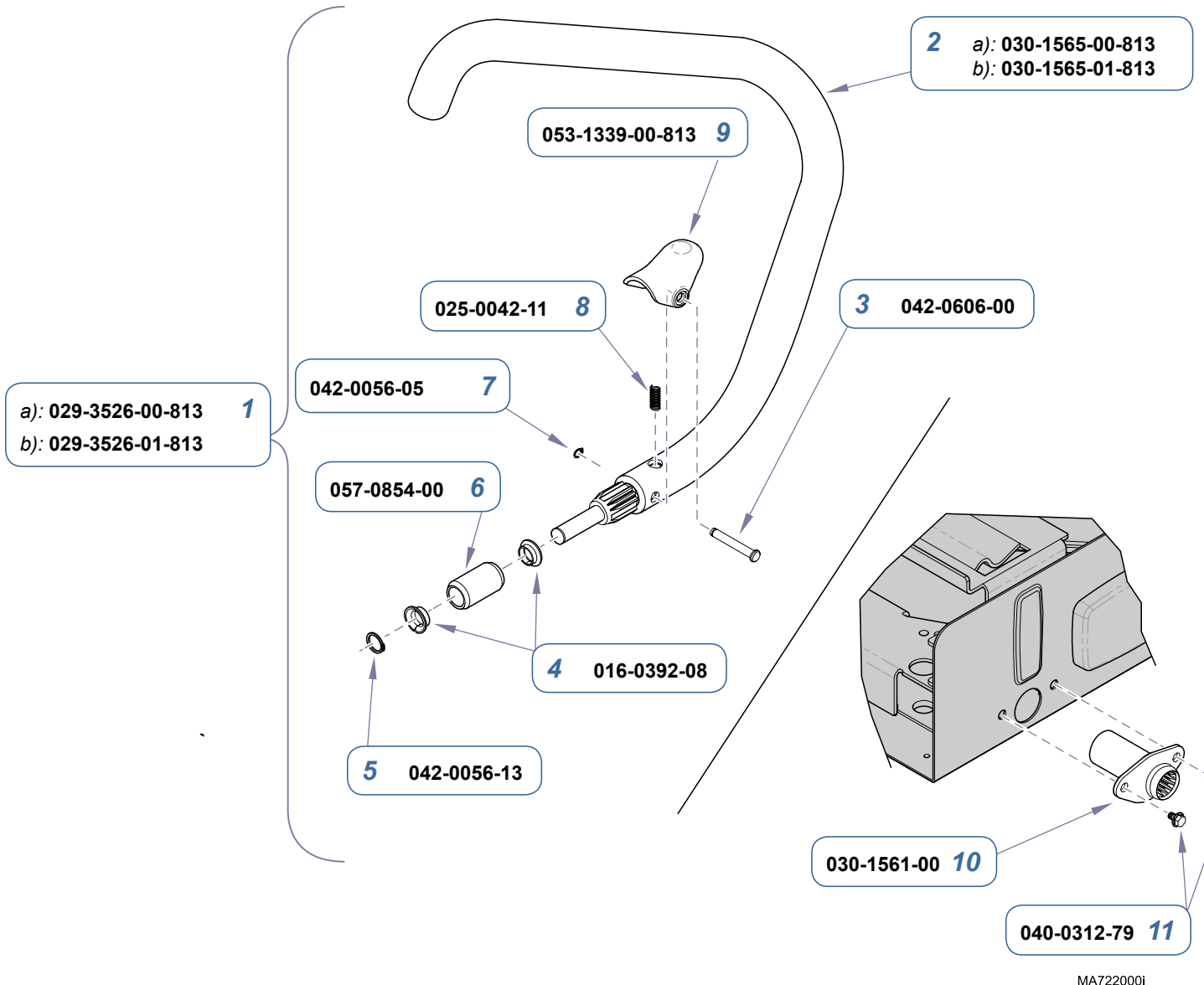
030-1561-00 **10**

040-0312-79 **11**

MA7220001

Item	Description	Qty.
<b>9A354001 Assist Arms only (set- LH/RH)</b> (includes items 1 thru 9)		
1	• Assist Arm Assembly (includes items 2 thru 9): A) LH- shown B) RH- not shown	1 1
2	• Arm Weldment A) LH- shown B) RH- not shown	1 1
3	• Clevis Pin	1
4	• Flange Bearing	2
5	• Retaining Ring	1
6	• Pivot Sleeve	1
7	• Retaining Ring	1
8	• Spring	1
9	• Retainer Clip	1
<b>9A354003 Accessory Socket Kit</b> (includes items 10 & 11)		
10	• Socket Weldment	2
11	• Flange Bolt (5/16-18 x 3/4")	4

<b>Serial Numbers / Dates:</b>	9A354 all
--------------------------------	--------------



**1**  
 a): 029-3526-00-813  
 b): 029-3526-01-813

**2**  
 a): 030-1565-00-813  
 b): 030-1565-01-813

**3** 042-0606-00

**8** 025-0042-11

**7** 042-0056-05

**6** 057-0854-00

**4** 016-0392-08

**5** 042-0056-13

**10** 030-1561-00

**11** 040-0312-79

MA7220001

Item	Description	Qty.
<b>9A632001 Assist Arms only (set- LH/RH)</b> (includes items 1 thru 9)		
1	• Assist Arm Assembly (includes items 2 thru 9): A) LH- shown B) RH- not shown	1 1
2	•• Arm Weldment A) LH- shown B) RH- not shown	1 1
3	•• Clevis Pin	1
4	•• Flange Bearing	2
5	•• Retaining Ring	1
6	•• Pivot Sleeve	1
7	•• Retaining Ring	1
8	•• Spring	1
9	•• Retainer Clip	1
<b>9A632003 Accessory Socket Kit</b> (includes items 10 & 11)		
10	• Socket Weldment	2
11	• Flange Bolt (5/16-18 x 3/4")	4

<b>Serial Numbers / Dates:</b>	9A632 all
--------------------------------	--------------