



Hand/Foot Control Cord Bracket Kit [002-0962-0x]

- Components:**
 Cord Bracket 1
 Screws: 2
 Nuts 2
- Special Tools:**
 Drill
 11/64" drill bit

Bracket installation for rear inlet:

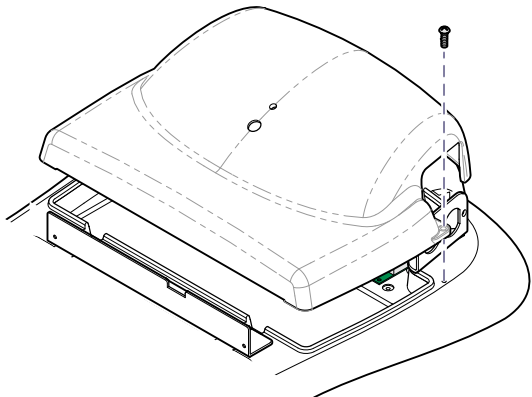
(The illustration shows the standard base. The procedure for models with rotational base is similar).



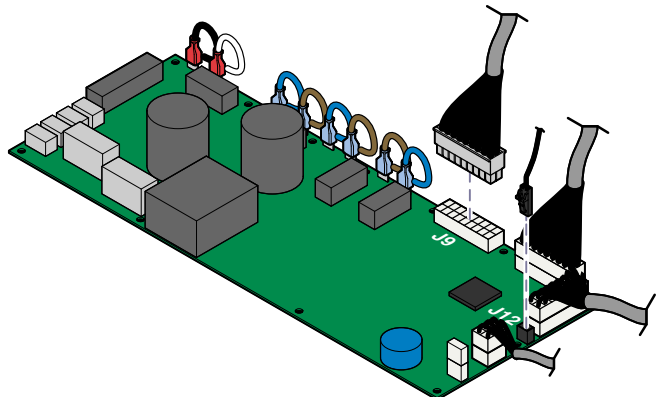
Equipment Alert

The PC board cover **must** be removed. Failure to do so will result in damage to the PC board when mounting holes are drilled (metal shavings).

Step 1: Remove screws & partially separate PC board cover.



Step 2: Disconnect wire harnesses from J9 & J12 on main PC board.
Go to Step 3.

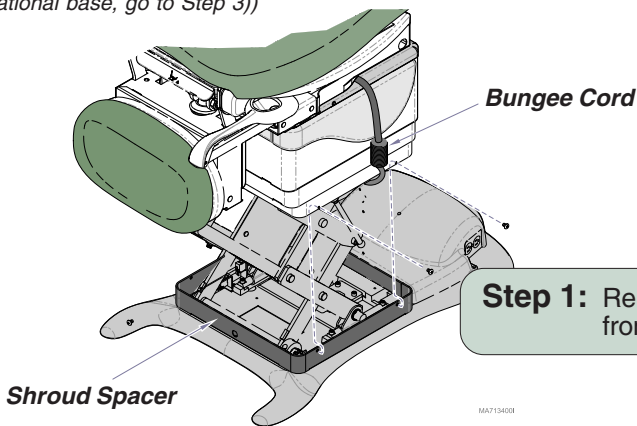


MA720200i

Bracket installation for front inlet:

(Models w/ standard base only.
Models w/rotational base, go to Step 3))

Note: Newer units have nutserts in shroud spacer to secure control cord bracket.



Step 2: Lift shrouds, then stretch bungee cord under seat and attach hooks under shrouds on both sides.
Go to Step 3.

Note: It may be necessary to run Tilt UP function to route bungee cord under seat section.

Step 1: Remove bottom screws from inner shrouds.

Step 3: Slide narrow portion of cord connector into bracket as shown.

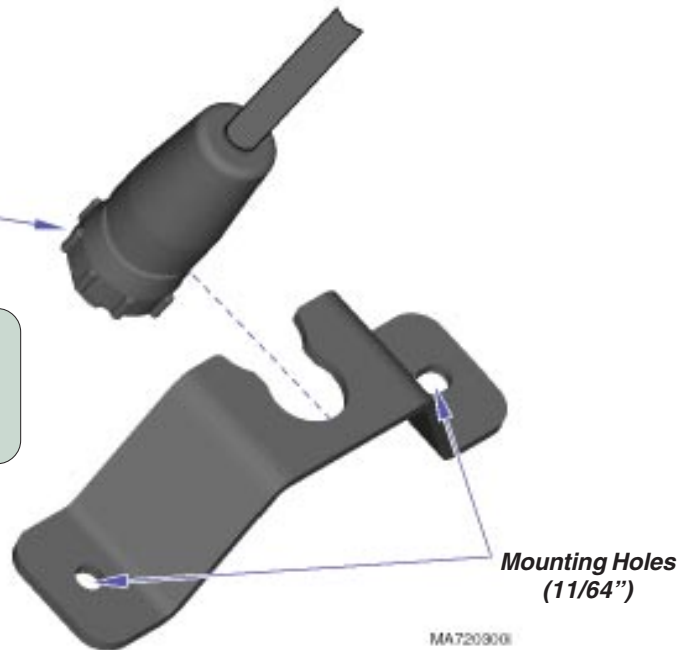
Locking Ring

Step 4: Plug cord connector into desired inlet on chair. Tighten locking ring.

Note: This step must be done with the control cord positioned in the bracket slot.

Attention: Newer chairs may have mounting holes. If so, go to Step 6.

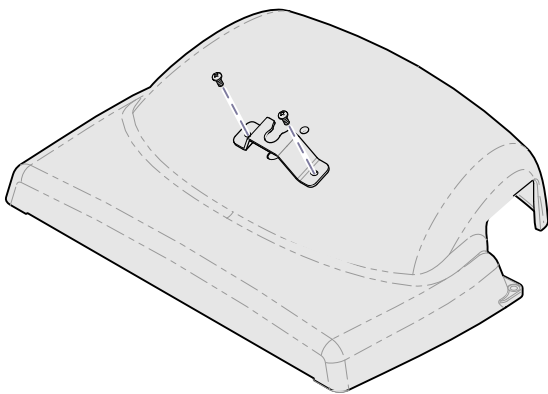
Step 5: Mark location of mounting holes. Drill mounting holes (11/64").



Bracket installation for rear inlet:

(The illustration shows the standard base.
The procedure for models with rotational base is similar).

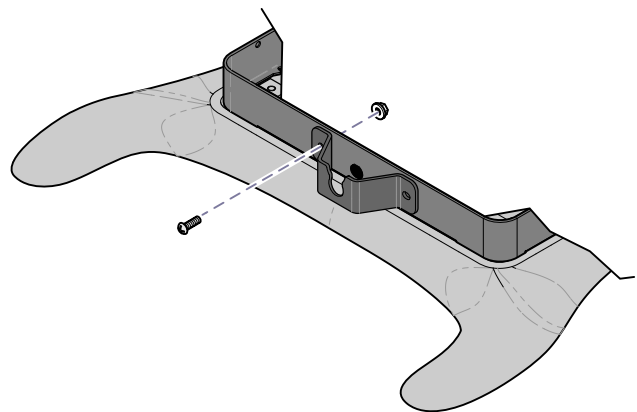
Step 6: Secure bracket with two screws.



Bracket installation for front inlet:

(Models w/ standard base)

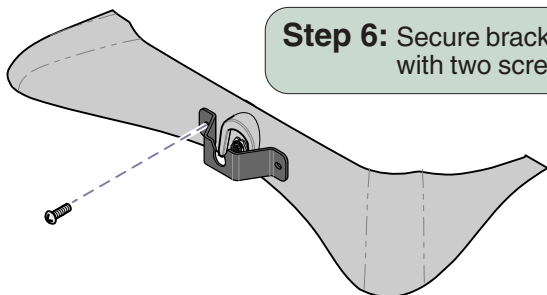
Step 6: Secure bracket with two screws & two nuts.



Bracket installation for front inlet:

(Models w/ rotational base)

Step 6: Secure bracket with two screws.



Step 7: Replace all covers, shrouds, etc. Connect control cord (see steps 3 & 4).

MA720400i