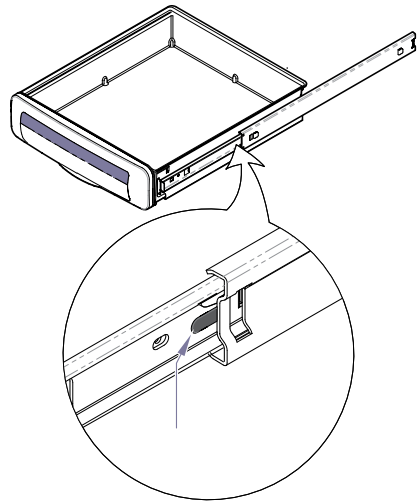




Midmark Cladding Kit [9A358* & 9A359*]

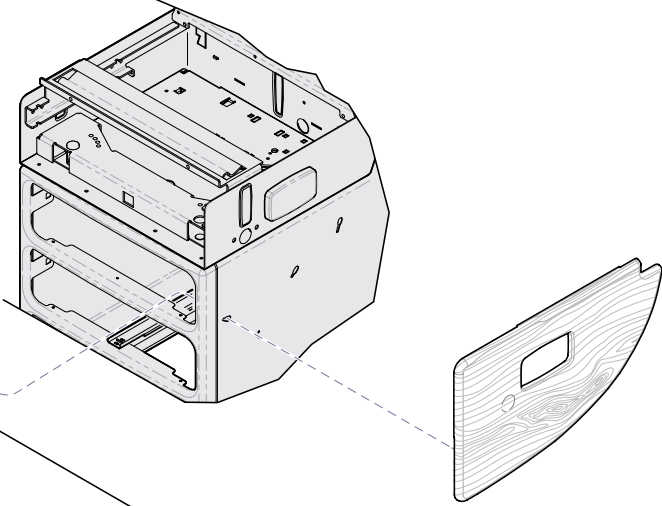
- Components:**
 Side Cladding:
 RH 1
 LH 1
- Special Tools:**
 a sharp knife

Requirements / Restrictions:
 The 9A359 Cladding Kit (w/ cutout) is required if the table has knee crutches (9A352 / 9A353) installed.



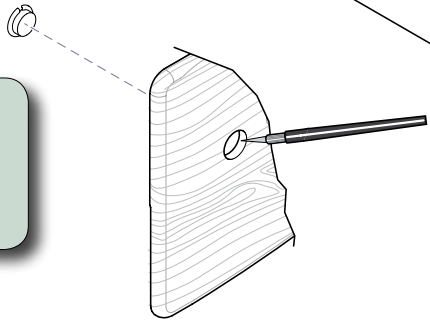
Step 1: Remove two drawers from foot end.
 Note: To remove top drawer, pull drawer all the way out, then:
 Press tab on RH slide down.
 Press tab on the LH slide up.

Step 2: Remove old cladding.

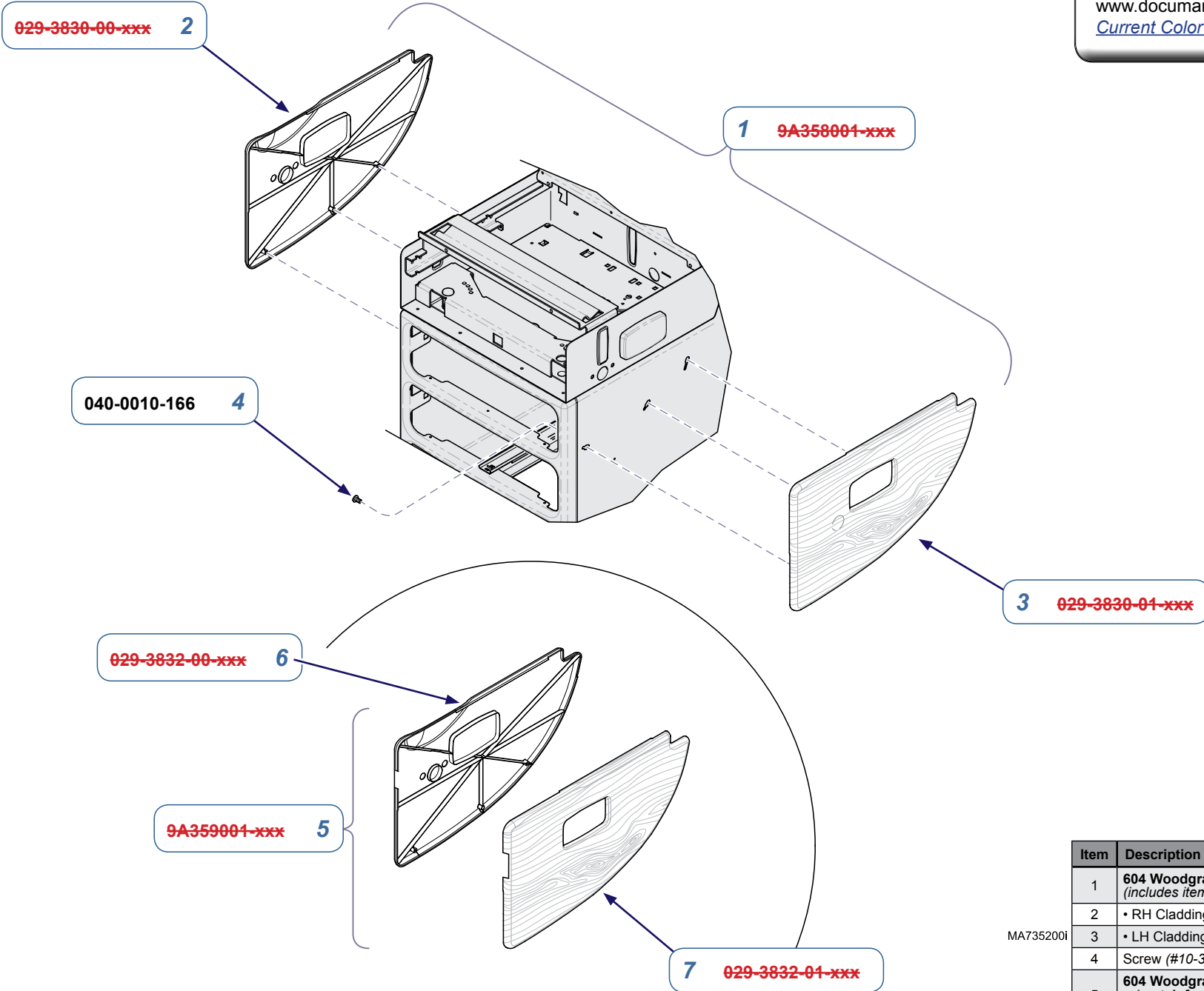


Note: If table has Accessory Sockets (9A354) installed, open accessory holes before performing Step 3.
Step 3: Install new cladding.

To open accessory holes...
 A) Remove hole plug from cladding.
 B) Using a sharp knife, carefully cut out the laminate covering the hole.



MA730200i



MA735200i

Item	Description	Qty.
1	604 Woodgrain Side Cladding (includes items 2 thru 3)	1
2	• RH Cladding	1
3	• LH Cladding	1
4	Screw (#10-32 x 3/8") - not included	4
5	604 Woodgrain Side Cladding w/ notch for knee crutch bracket (includes items 6 & 7)	1
6	• RH Cladding w/ notch	1
7	• LH Cladding w/ notch	1

Always Specify Model & Serial Number

Serial Numbers / Dates: all