

Flat & Narrow Upholstery Kit for 230 /75e
[002-0950-xxx, 002-0951-xxx, 002-10135-xxx,
002-10136-xxx]

NOTE

The foot and leg sections of the flat & narrow upholstery set are the same size as the standard upholstery. These sections are provided for new installations and color changes, it is not necessary to replace them.

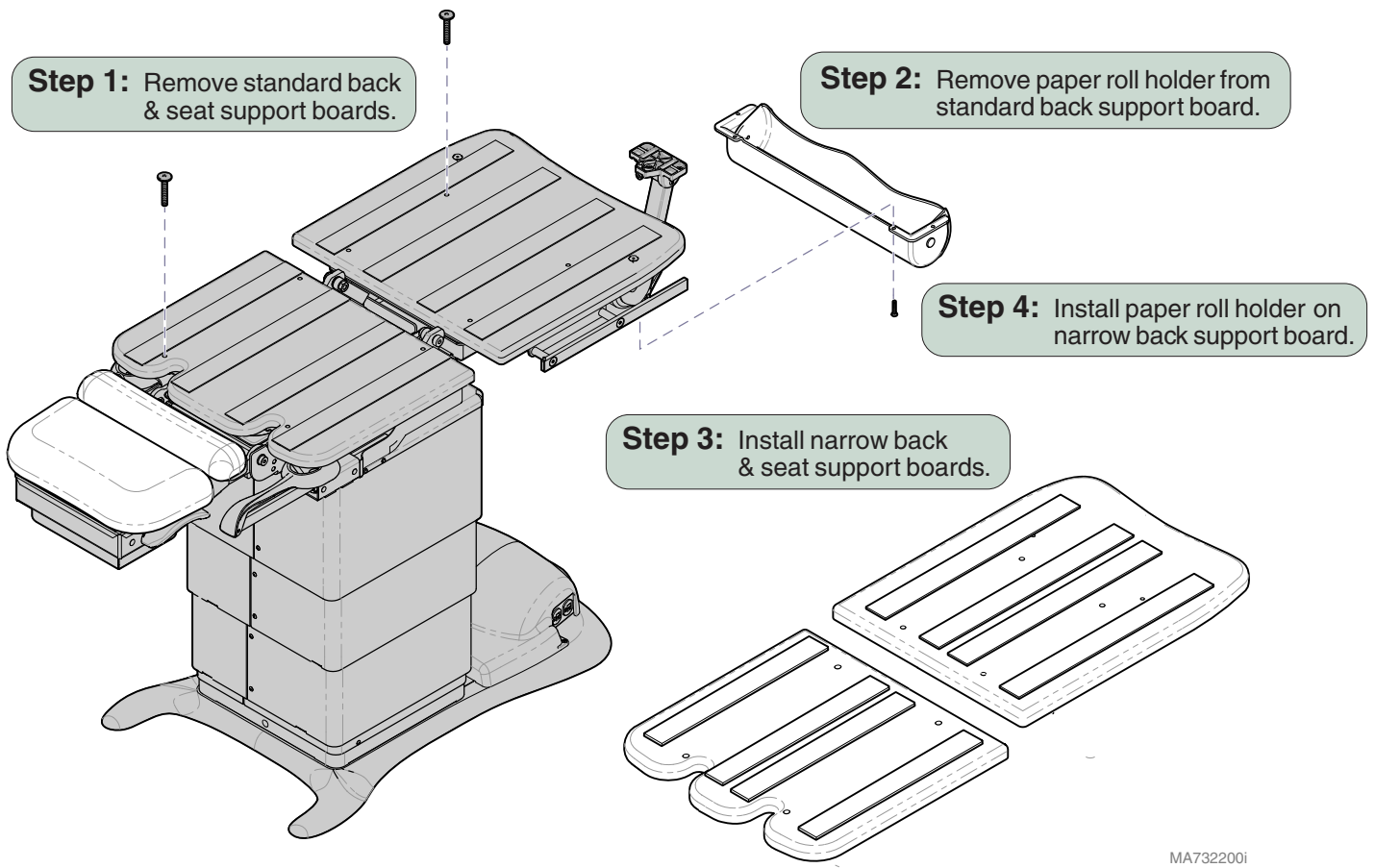
Components:

Support Boards:

- Back Section 1
- Seat Section 1

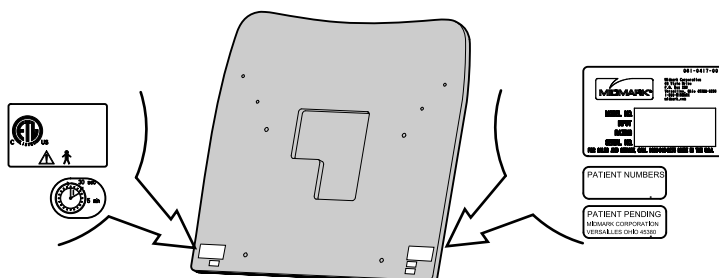
Upholstery Sections:

- Back / Seat 1
- Head 1
- Foot 1
- Leg 1



MA732200i

ATTENTION! Applies to 230 Models before serial number V1831829

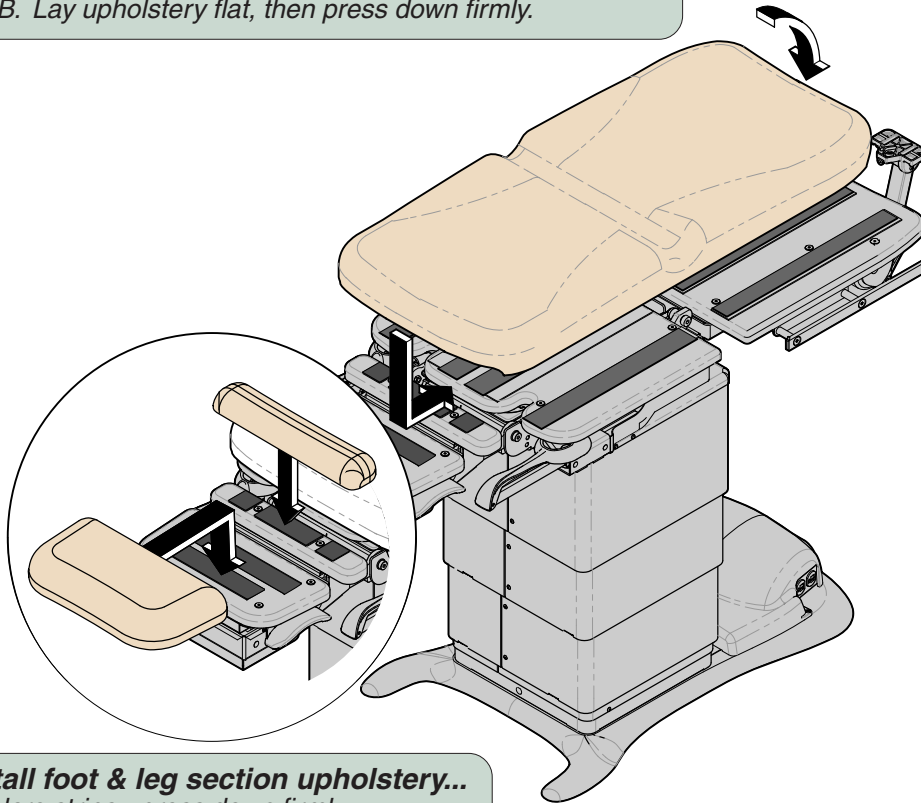


The labels on the standard back support board are **essential** for model identification and regulatory compliance.

Retain the standard support board with labels intact.

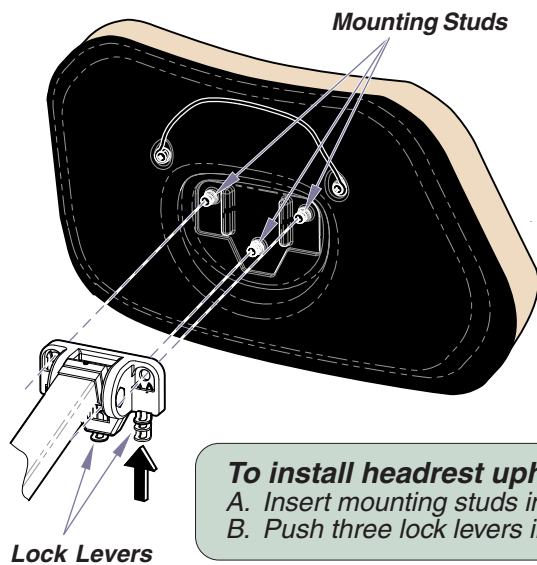
To install seat / back section upholstery...

- A. Position front of seat section against mounting board.
- B. Lay upholstery flat, then press down firmly.



To install foot & leg section upholstery...

Align velcro strips - press down firmly.



To install headrest upholstery...

- A. Insert mounting studs into holes in pivot mount.
- B. Push three lock levers inward to lock in place.

MA732300i