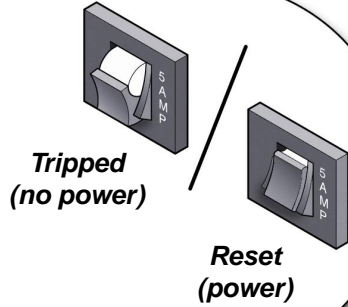


**Table Receptacle (optional)**

If the maximum load is exceeded, the circuit breakers remove power from the receptacle.  
Maximum Load: 5 amps

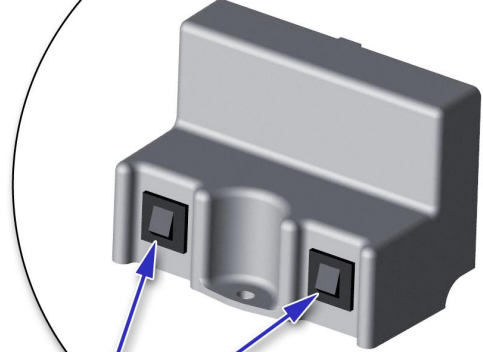
**To reset circuit breaker(s)...**  
Push circuit breaker toggle switch.



Tripped  
(no power)

Reset  
(power)

**Circuit Breakers (2)**



**Footrest Shelf &  
Treatment pan**

**Footstep**

MA709102p

# Maintenance

## Periodically inspect the following:

- Power cord must be free of visible damage.
- All fasteners must be present and secure.
- All mechanical functions should operate.

## Cleaning

### Upholstery

Wash your upholstery weekly with a mild liquid soap and water mixture, rinse with clear water and dry completely to remove disinfection cleaner build-up.

Disinfect your upholstery with a solution of standard bleach and water mixed 1 in 10 (10%) or chlorine based cleaners. Follow this with a clear water rinse and thorough drying of material. See current CDC Guideline for Disinfection & Sterilization in Healthcare Facilities.

To minimize damage caused by disinfectant cleaner residue build-up, do not allow disinfectants to pool on the upholstery surface. Once the approved contact time has been obtained, remove and dry excess liquid remaining on the surface.

Detailed care and maintenance instructions are included with your product. This information is also available on [www.midmark.com](http://www.midmark.com) in the Technical library under the User Information tab for your product.

### Painted Metal / Plastic Surfaces

Clean the painted metal and plastic surfaces weekly using a clean soft cloth, and mild cleaner.

## Calling for Service

If service is required, contact your Midmark dealer.  
To contact Midmark directly:  
1-800-Midmark (1-800-643-6275)  
8:00 am until 5:00 pm Mon-Fri (EST)



- **Français** : Référez-vous à [www.midmark.com](http://www.midmark.com)
- **Deutsch**: Siehe [www.midmark.com](http://www.midmark.com)
- **Español**: Refiera a [www.midmark.com](http://www.midmark.com)

Midmark Corporation  
60 Vista Drive  
Versailles, OH 45380-0286  
Phone: 937-526-3662  
Fax: 937-526-5542  
[midmark.com](http://midmark.com)



Because we care.

## Quick Reference Guide 204 Manual Exam Table

Model Number:

Serial Number:

Dealer Info:

Purchase Date:

Upholstery Color:

003-1616-00 Rev. DA1 1/30/18

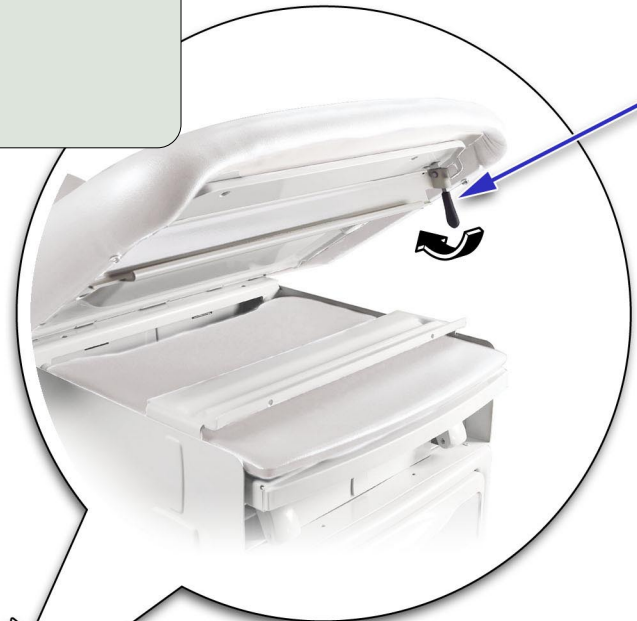
*This guide outlines basic operation of the table. The enclosed User Guide provides additional instructions on operation and care, as well as regulatory compliance information. If service is required, contact your authorized Midmark dealer.*



MA10616p

*Pelvic Tilt feature (optional)*  
**To elevate seat section...**  
Lift seat section until pelvic support drops into place.

**To return to flat position...**  
**A.** Lift seat section slightly.  
**B.** Pivot trigger handle backward.  
**C.** Lower seat section.



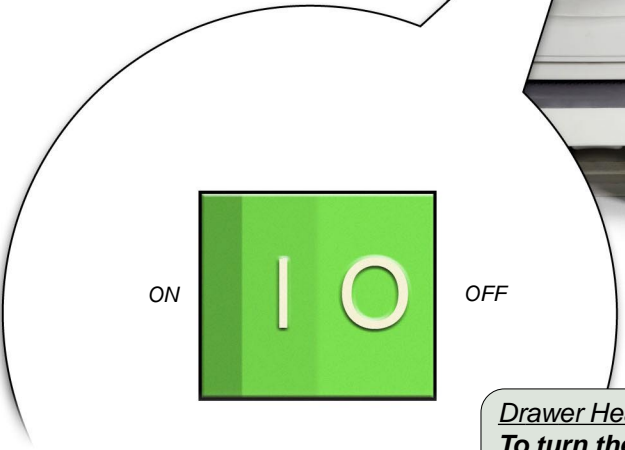
**Trigger Handle**

**Back Release Handle**

**To position the back section...**  
**A.** Squeeze the Back Release Handle (either side).  
**B.** Move the back section to desired position.  
**C.** Release handle to lock back section in position.



**Stirrups**



ON

OFF

MA709004p

**Drawer Heater (optional)**  
**To turn the drawer heater ON / OFF...**  
Press the drawer heater switch.