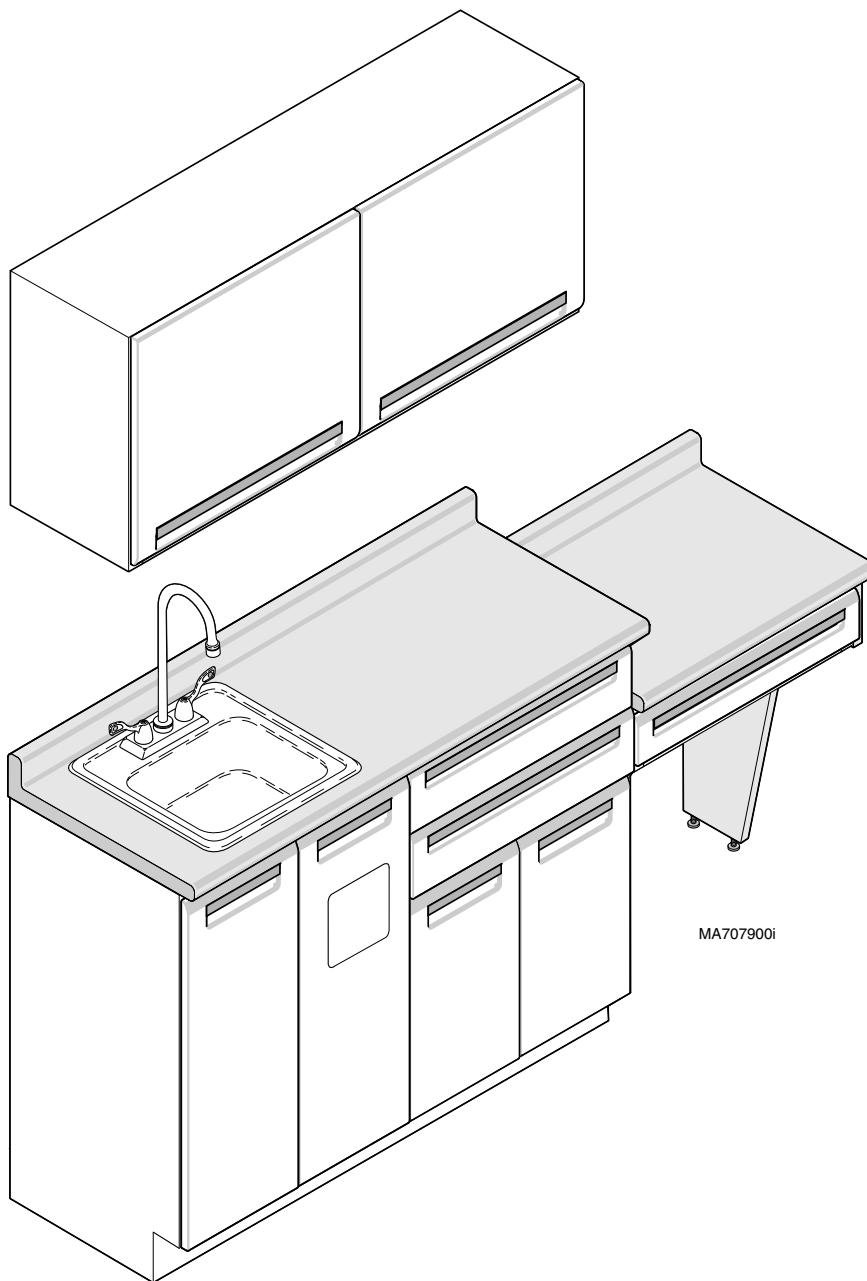


Casework Pre-Installation Guide



NOTES:

• *All plumbing must be made by a licensed plumbing contractor and conform to local, city, and national codes pertaining to the installation.*

• *The wall layout shows a LH unit. If unit being installed is a RH unit, layout and dimensions are mirror image.*

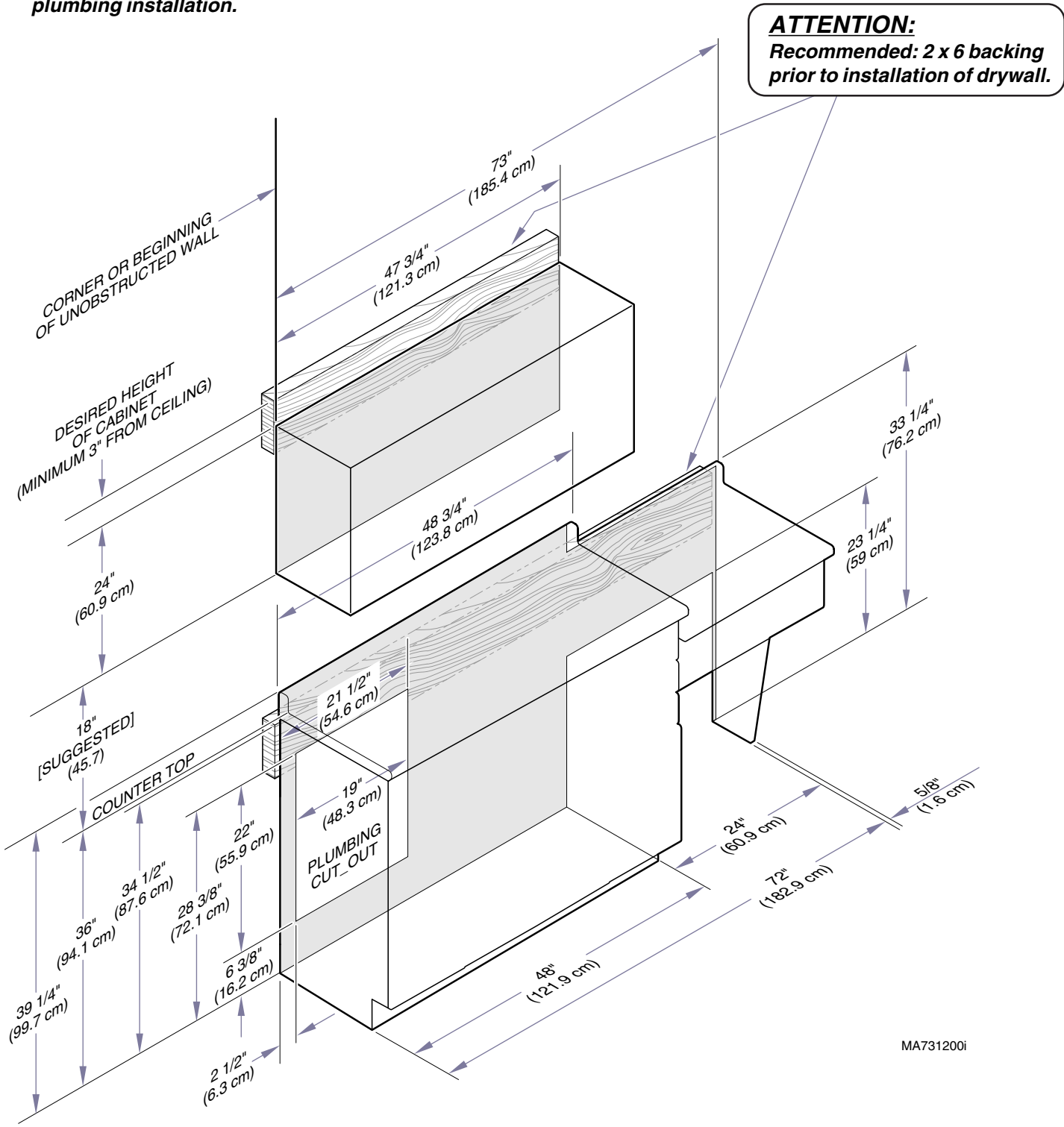
Attention!

For OSHPD Regulated Installations, please go to www.midmark.com to download the appropriate OSHPD Pre-Approval and Installation documents.

Wall Layout Preparation for Midmark (w/insert) & Ritter

NOTE:

Use the layout below for electrical / plumbing installation.

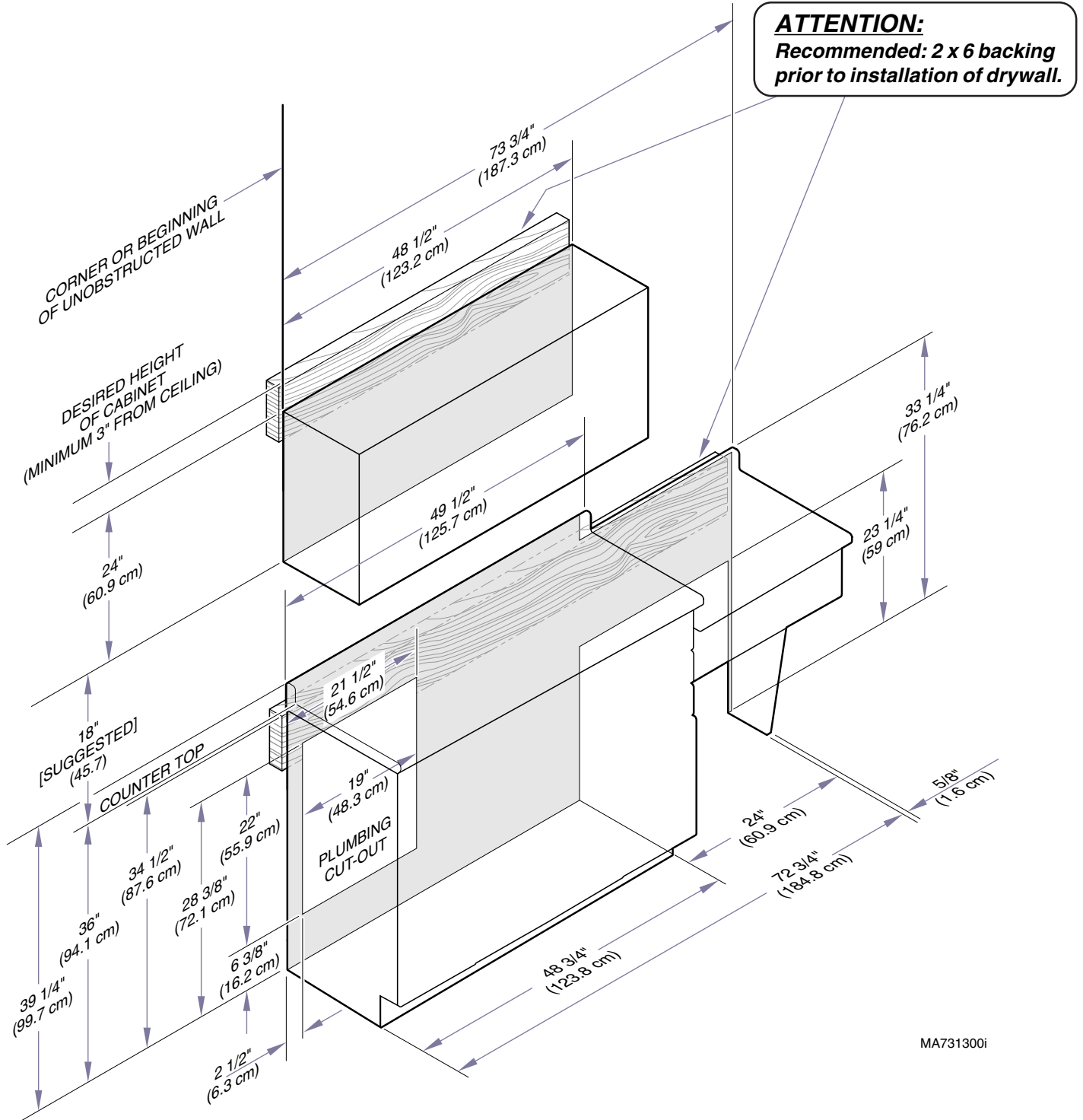


MA731200i

Wall Layout Preparation for Midmark Woodgrain with Storage End Panels

NOTE:

Use the layout below for electrical / plumbing installation.



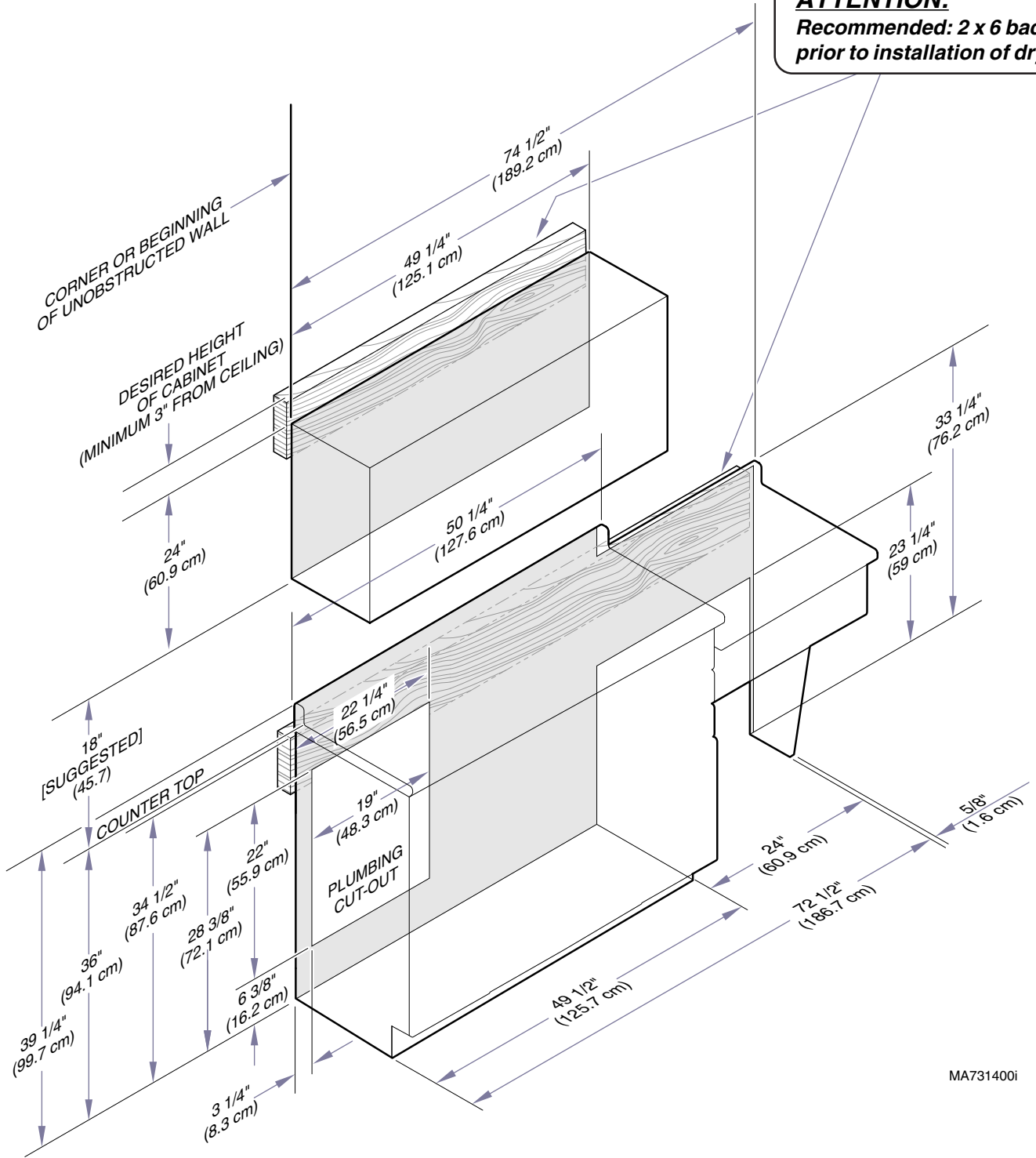
MA731300i

Wall Layout Preparation for Midmark Woodgrain with Storage & Sink End Panels

NOTE:

Use the layout below for electrical / plumbing installation.

ATTENTION:
Recommended: 2 x 6 backing
prior to installation of drywall.



MA731400i

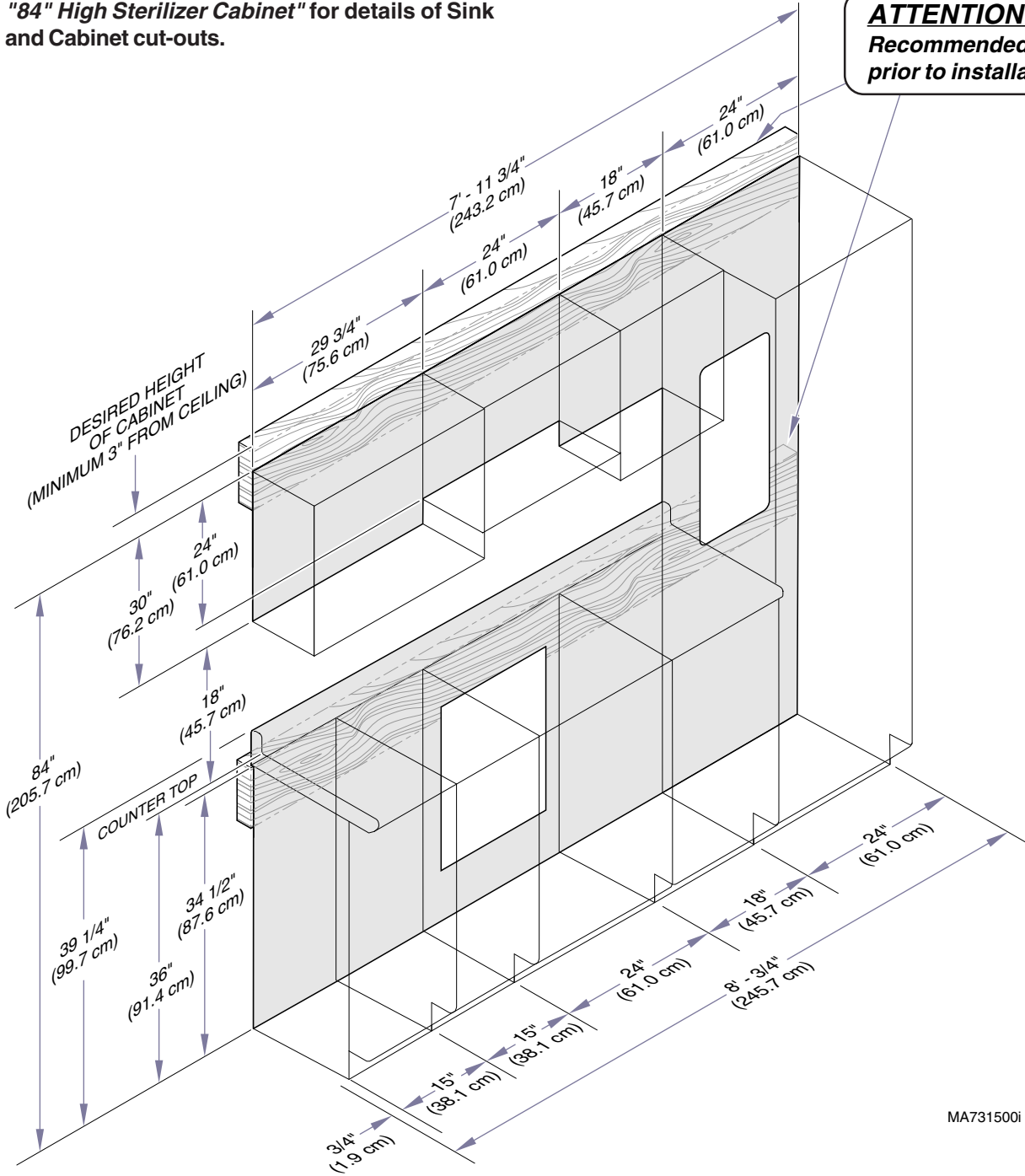
8' Steri-Center Casework

NOTE:

Use the layout below for electrical / plumbing installation.

Refer to "36" High Sink Base Cabinet" and "84" High Sterilizer Cabinet" for details of Sink and Cabinet cut-outs.

ATTENTION:
Recommended: 2 x 6 backing prior to installation of drywall.



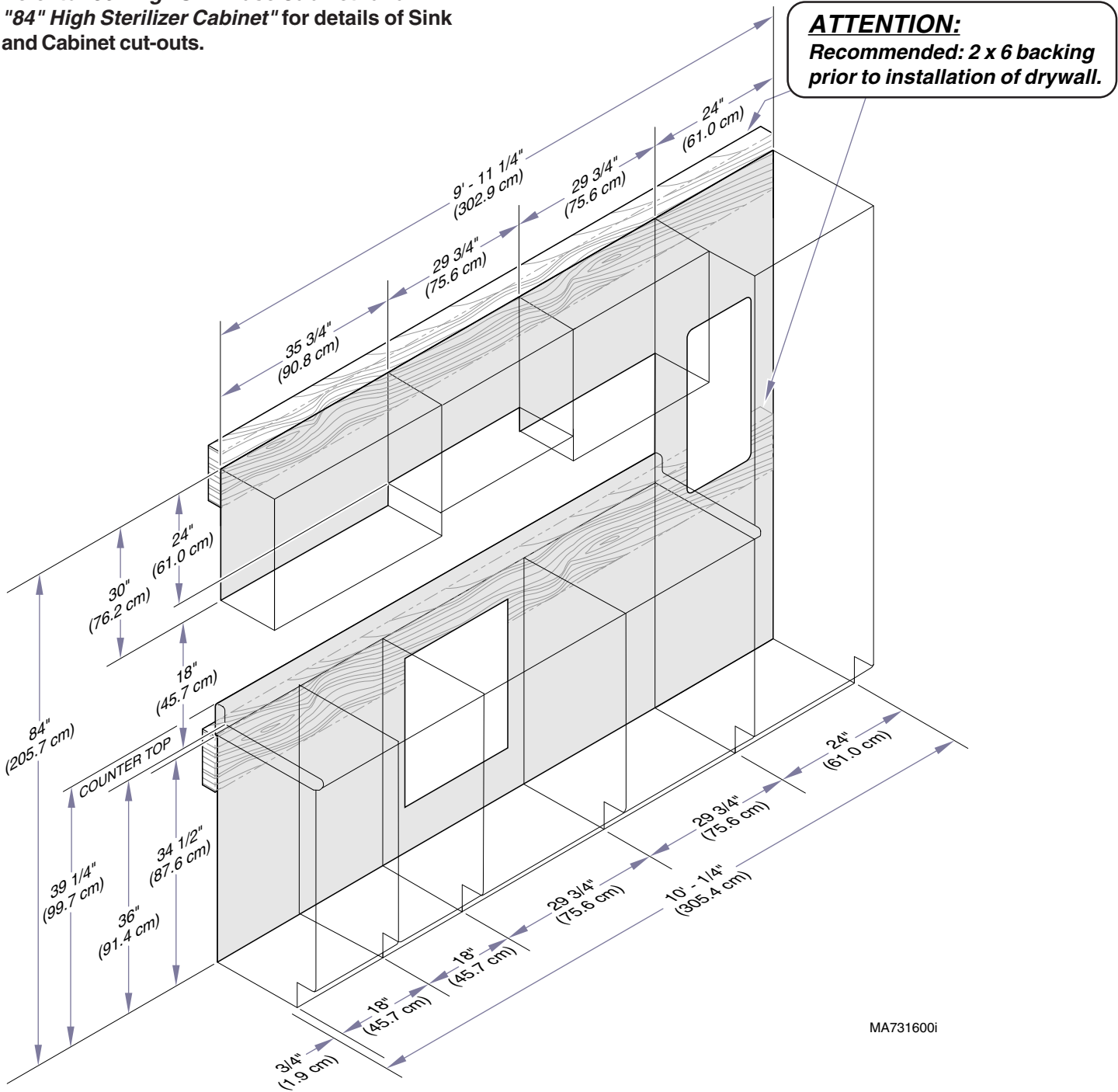
MA731500i

10' Steri-Center Casework

NOTE:

Use the layout below for electrical / plumbing installation.

Refer to "36" High Sink Base Cabinet" and "84" High Sterilizer Cabinet" for details of Sink and Cabinet cut-outs.



MA731600i

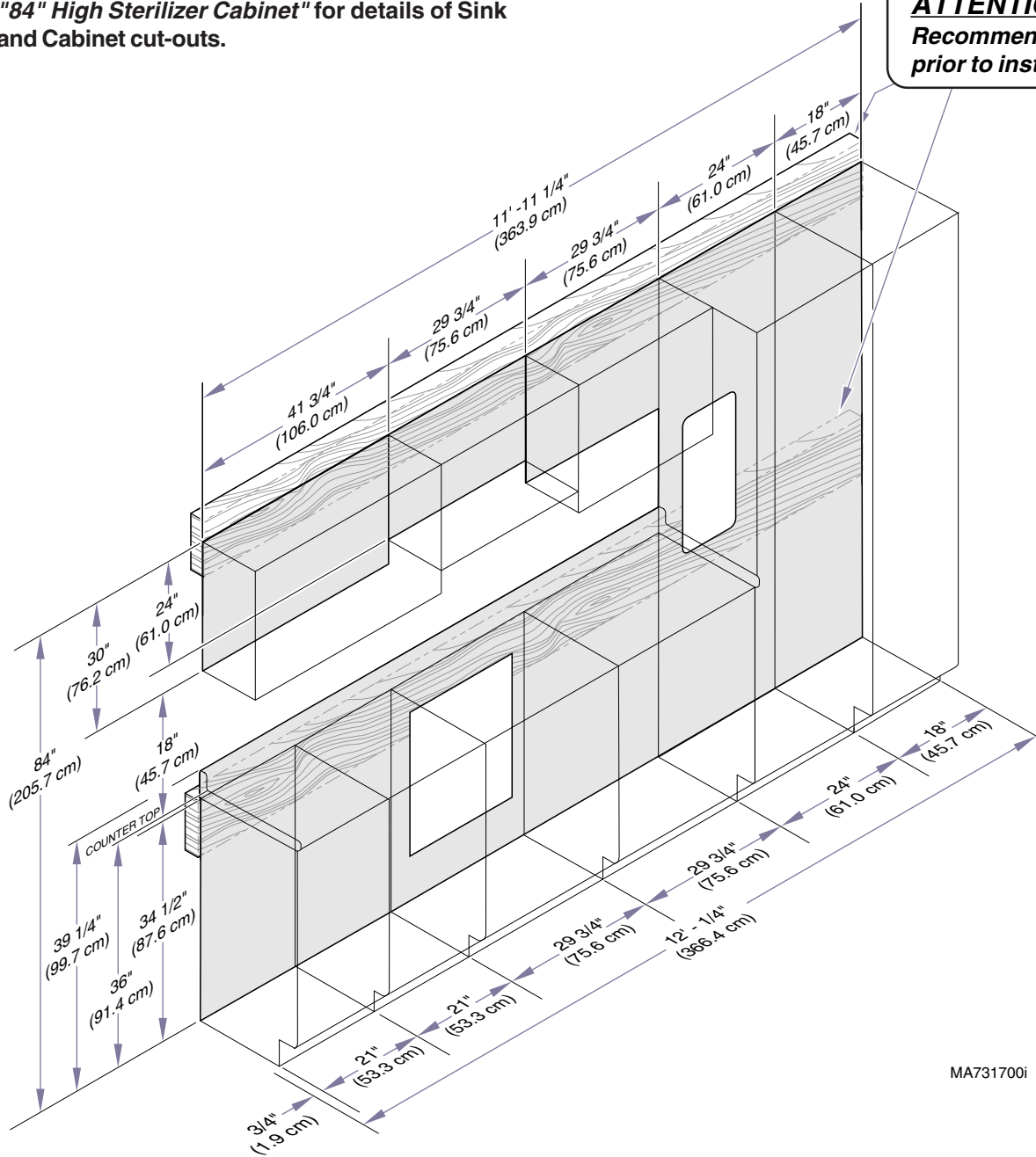
12' Steri-Center Casework

NOTE:

Use the layout below for electrical / plumbing installation.

Refer to "36" High Sink Base Cabinet" and "84" High Sterilizer Cabinet" for details of Sink and Cabinet cut-outs.

ATTENTION:
Recommended: 2 x 6 backing prior to installation of drywall.

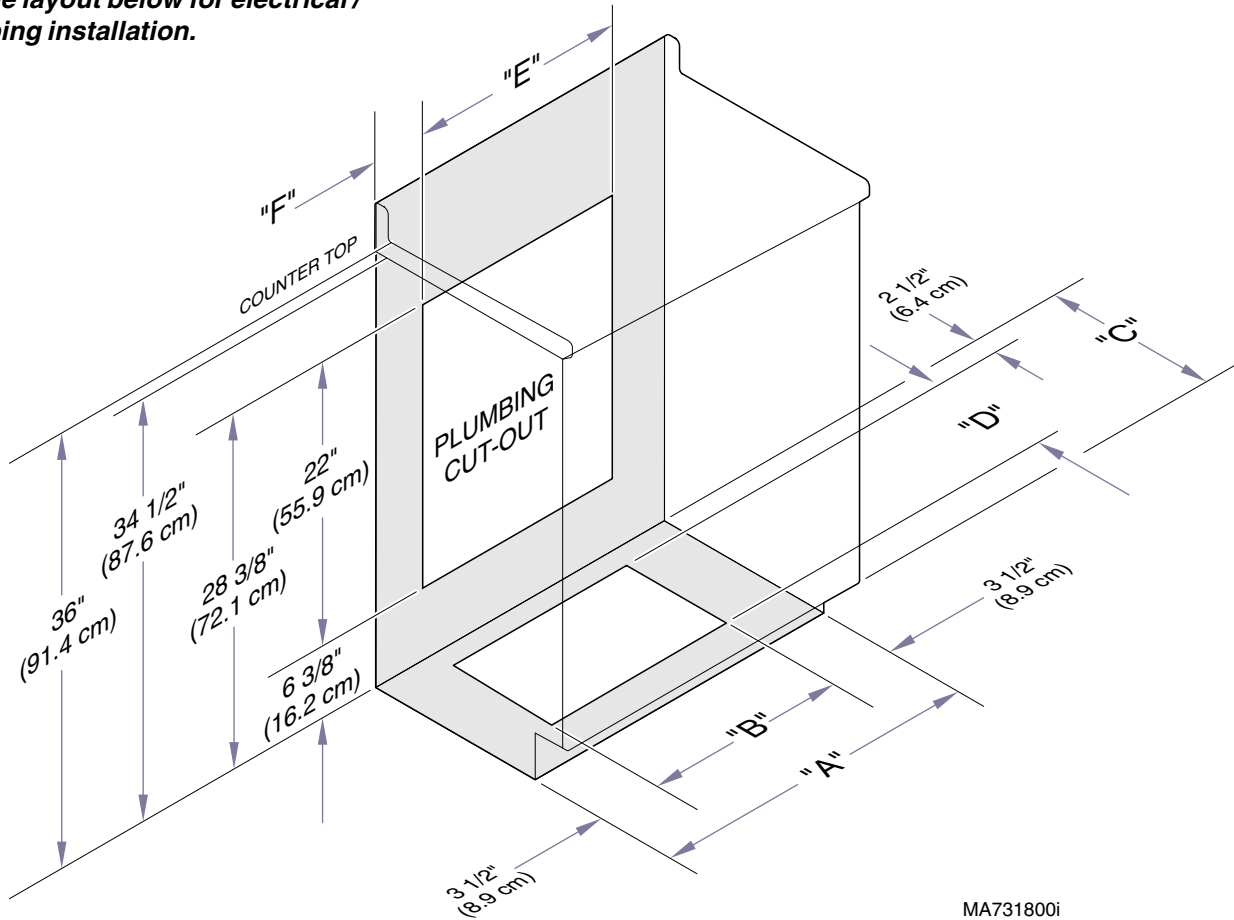


MA731700i

36" High Sink Base Cabinets

NOTE:

Use the layout below for electrical / plumbing installation.



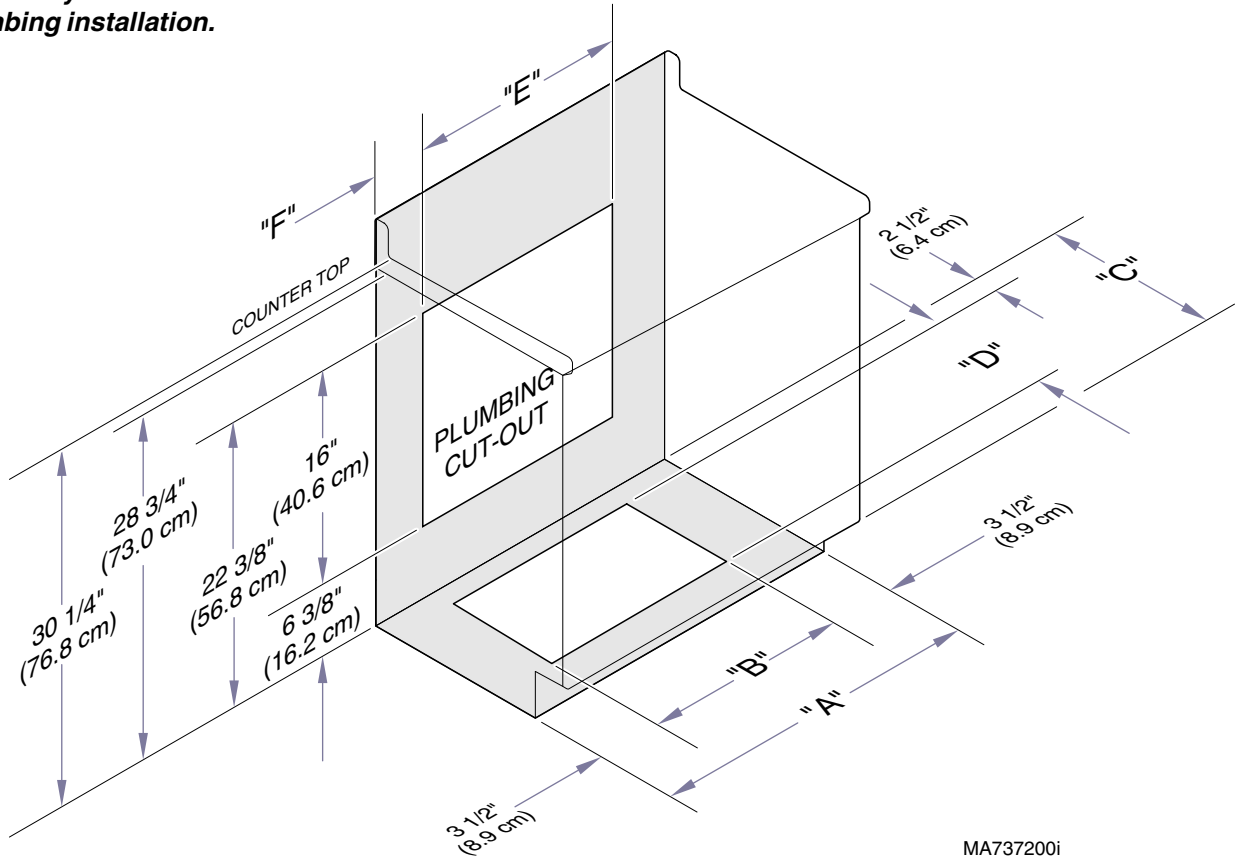
MA731800i

"A"	"B"	"C"	"D"	"E"	"F"
18" (45.7 cm)	11" (27.9 cm)	17" (43.2 cm)	11" (27.9 cm)	13" (33.0 cm)	2 1/2" (6.4 cm)
21" (53.3 cm)	14" (35.6 cm)	17" (43.2 cm)	11" (27.9 cm)	15" (38.1 cm)	3" (7.6 cm)
24" (61.0 cm)	17" (43.2 cm)	17" (43.2 cm)	11" (27.9 cm)	19" (48.3 cm)	2 1/2" (6.4 cm)
30" (29 3/4") (75.6 cm)	22 3/4" (57.8 cm)	17" (43.2 cm)	11" (27.9 cm)	22" (55.9 cm)	3 7/8" (9.8 cm)
36" (35 3/4") (90.8 cm)	28 3/4" (73.0 cm)	17" (43.2 cm)	11" (27.9 cm)	24" (61.0 cm)	5 7/8" (14.9 cm)
18" (45.7 cm)	11" (27.9 cm)	23" (58.4 cm)	17" (43.2 cm)	13" (33.0 cm)	2 1/2" (6.4 cm)
21" (53.3 cm)	14" (35.6 cm)	23" (58.4 cm)	17" (43.2 cm)	15" (38.1 cm)	3" (7.6 cm)
24" (61.0 cm)	17" (43.2 cm)	23" (58.4 cm)	17" (43.2 cm)	19" (48.3 cm)	2 1/2" (6.4 cm)
30" (29 3/4") (75.6 cm)	22 3/4" (57.8 cm)	23" (58.4 cm)	17" (43.2 cm)	22" (55.9 cm)	3 7/8" (9.8 cm)
36" (35 3/4") (90.8 cm)	28 3/4" (73.0 cm)	23" (58.4 cm)	17" (43.2 cm)	24" (61.0 cm)	5 7/8" (14.9 cm)

30" High Sink Base Cabinets

NOTE:

Use the layout below for electrical / plumbing installation.



MA737200i

"A"	"B"	"C"	"D"	"E"	"F"
18" (45.7 cm)	11" (27.9 cm)	17" (43.2 cm)	11" (27.9 cm)	13" (33.0 cm)	2 1/2" (6.4 cm)
21" (53.3 cm)	14" (35.6 cm)	17" (43.2 cm)	11" (27.9 cm)	15" (38.1 cm)	3" (7.6 cm)
24" (61.0 cm)	17" (43.2 cm)	17" (43.2 cm)	11" (27.9 cm)	19" (48.3 cm)	2 1/2" (6.4 cm)
30" (29 3/4") (75.6 cm)	22 3/4" (57.8 cm)	17" (43.2 cm)	11" (27.9 cm)	22" (55.9 cm)	3 7/8" (9.8 cm)
36" (35 3/4") (90.8 cm)	28 3/4" (73.0 cm)	17" (43.2 cm)	11" (27.9 cm)	24" (61.0 cm)	5 7/8" (14.9 cm)
18" (45.7 cm)	11" (27.9 cm)	23" (58.4 cm)	17" (43.2 cm)	13" (33.0 cm)	2 1/2" (6.4 cm)
21" (53.3 cm)	14" (35.6 cm)	23" (58.4 cm)	17" (43.2 cm)	15" (38.1 cm)	3" (7.6 cm)
24" (61.0 cm)	17" (43.2 cm)	23" (58.4 cm)	17" (43.2 cm)	19" (48.3 cm)	2 1/2" (6.4 cm)
30" (29 3/4") (75.6 cm)	22 3/4" (57.8 cm)	23" (58.4 cm)	17" (43.2 cm)	22" (55.9 cm)	3 7/8" (9.8 cm)
36" (35 3/4") (90.8 cm)	28 3/4" (73.0 cm)	23" (58.4 cm)	17" (43.2 cm)	24" (61.0 cm)	5 7/8" (14.9 cm)

33" High Sink Base Cabinets

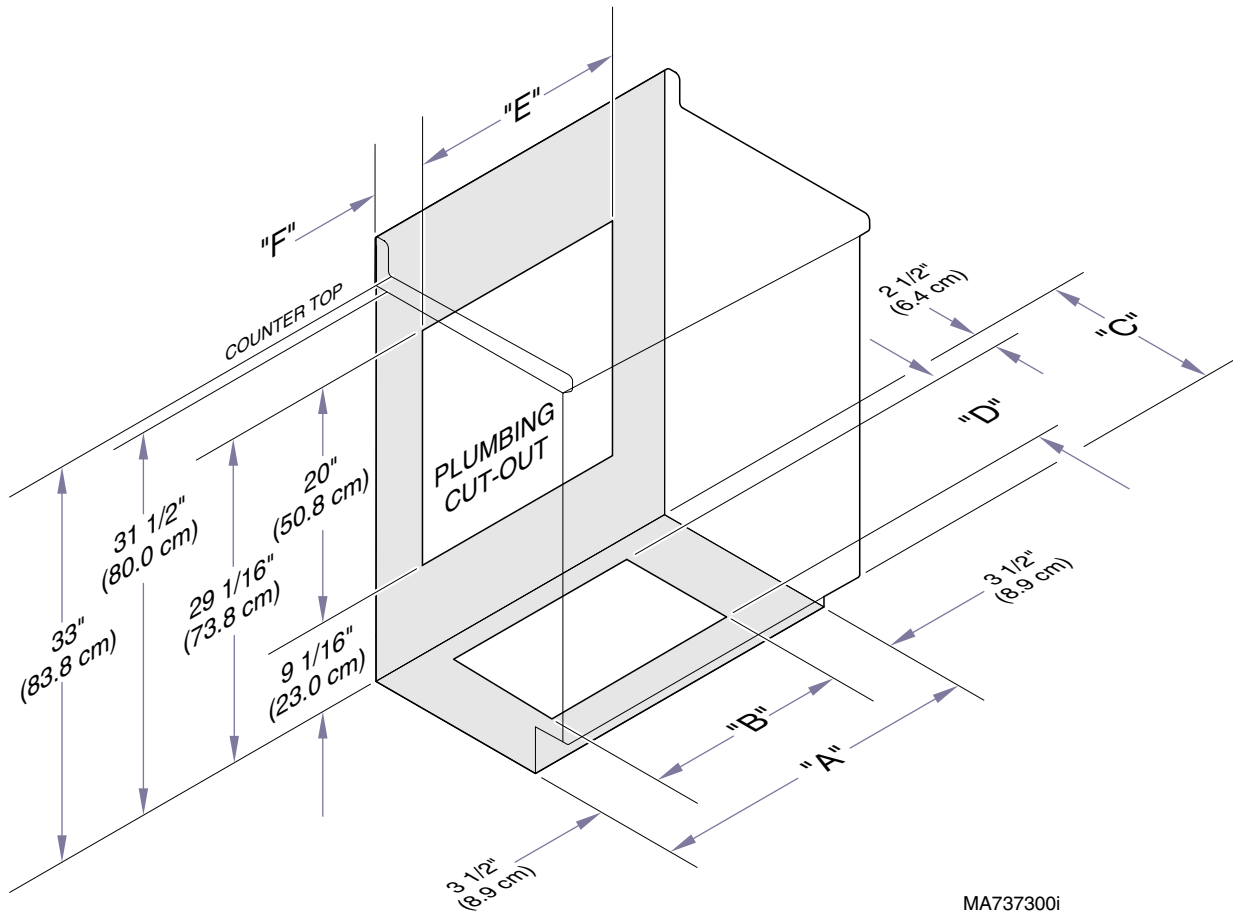
NOTE:

Use the layout below for electrical / plumbing installation.

NOTE:

Midmark recommends the top of the countertop should be 33" off of the floor.

ADA compliance should be of a max height of 34" from the floor, measured from either top of countertop or top of sink whichever is highest.



MA737300i

"A"	"B"	"C"	"D"	"E"	"F"
24" (61.0 cm)	17" (43.2 cm)	17" (43.2 cm)	11" (27.9 cm)	19" (48.3 cm)	2 1/2" (6.4 cm)
30" (29 3/4") (75.6 cm)	22 3/4" (57.8 cm)	17" (43.2 cm)	11" (27.9 cm)	22" (55.9 cm)	3 7/8" (9.8 cm)
36" (35 3/4") (90.8 cm)	28 3/4" (73.0 cm)	17" (43.2 cm)	11" (27.9 cm)	24" (61.0 cm)	5 7/8" (14.9 cm)
24" (61.0 cm)	17" (43.2 cm)	23" (58.4 cm)	17" (43.2 cm)	19" (48.3 cm)	2 1/2" (6.4 cm)
30" (29 3/4") (75.6 cm)	22 3/4" (57.8 cm)	23" (58.4 cm)	17" (43.2 cm)	22" (55.9 cm)	3 7/8" (9.8 cm)
36" (35 3/4") (90.8 cm)	28 3/4" (73.0 cm)	23" (58.4 cm)	17" (43.2 cm)	24" (61.0 cm)	5 7/8" (14.9 cm)

24" High ADA Sink Base Cabinets

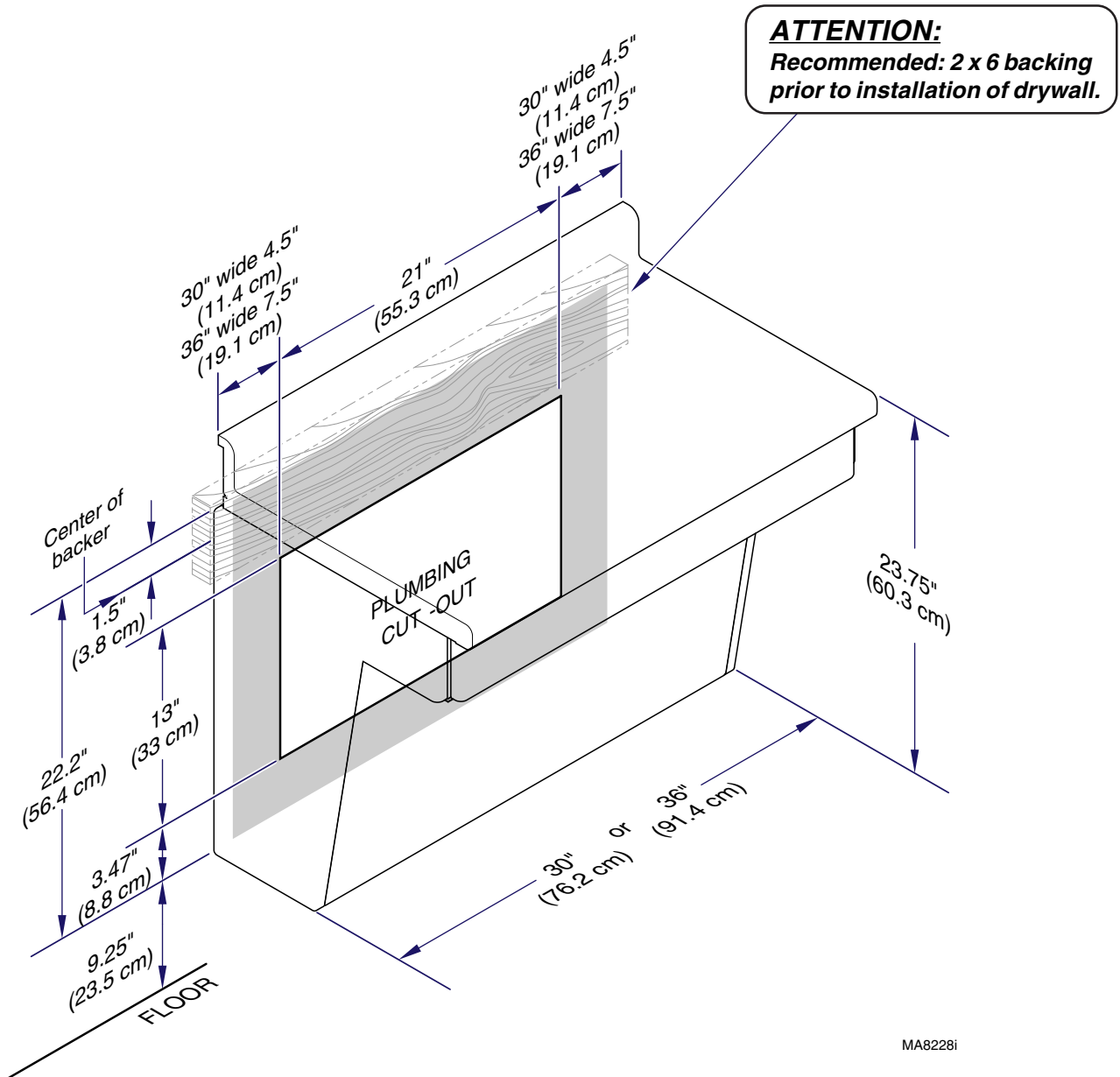
NOTE:

Use the layout below for electrical / plumbing installation.

NOTE:

Midmark recommends the top of the countertop should be 33" off of the floor.

ADA compliance should be of a max height of 34" from the floor, measured from either top of countertop or top of sink whichever is highest.

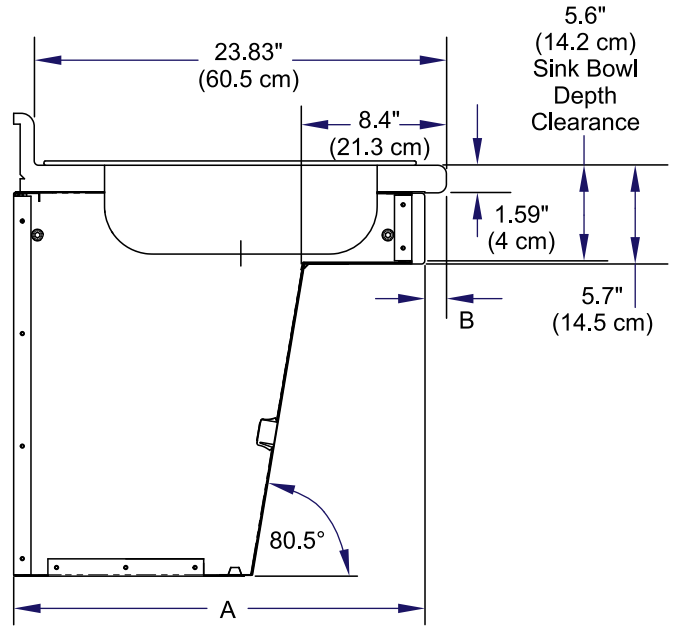
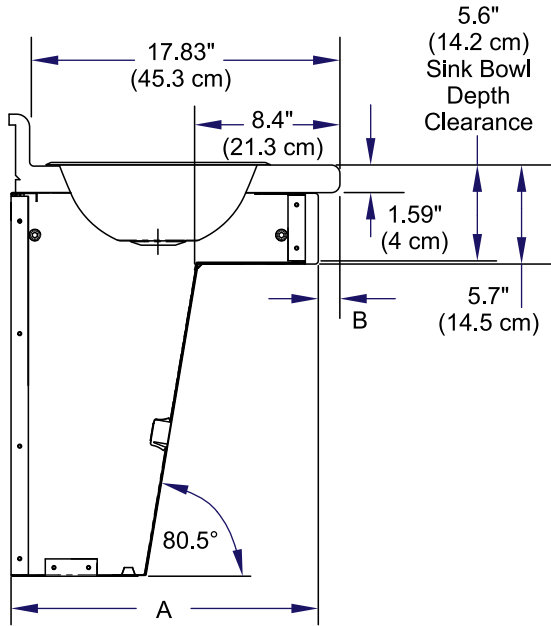


MA8228I

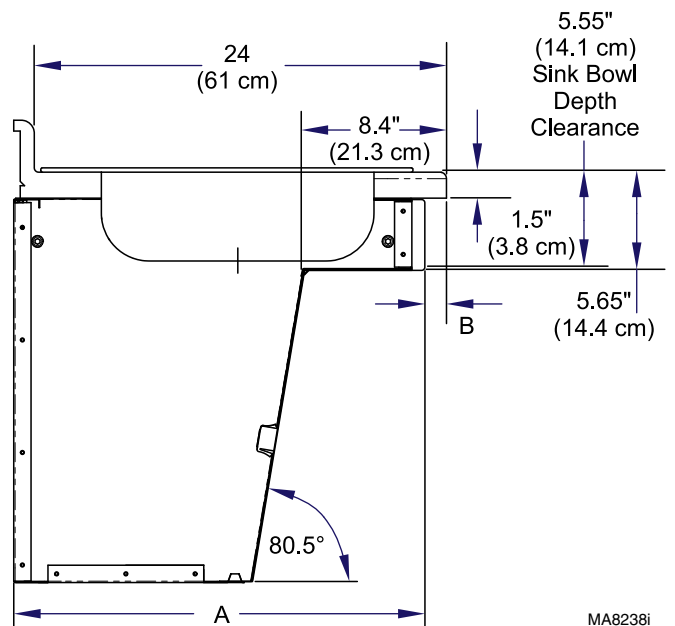
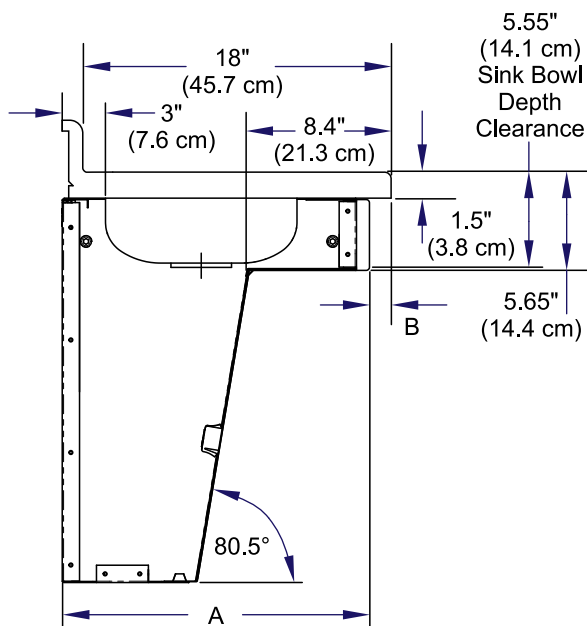
ADA Sink Clearance Dimensions

Model #	Description	Midmark	Ritter	Midmark	Ritter
		A	A	B	B
xC-SBS032-xx2418	18" Deep Laminate	17.75	17.625	1.25	1.375
xC-SBS032-xx2424	24" Deep Laminate	23.75	23.625	1.25	1.375
xC-SBS032-xx2418	18" Deep Corian	17.75	17.625	1.25	1.375
xC-SBS032-xx2424	24" Deep Corian	23.75	23.625	1.25	1.375

Laminate



Corian

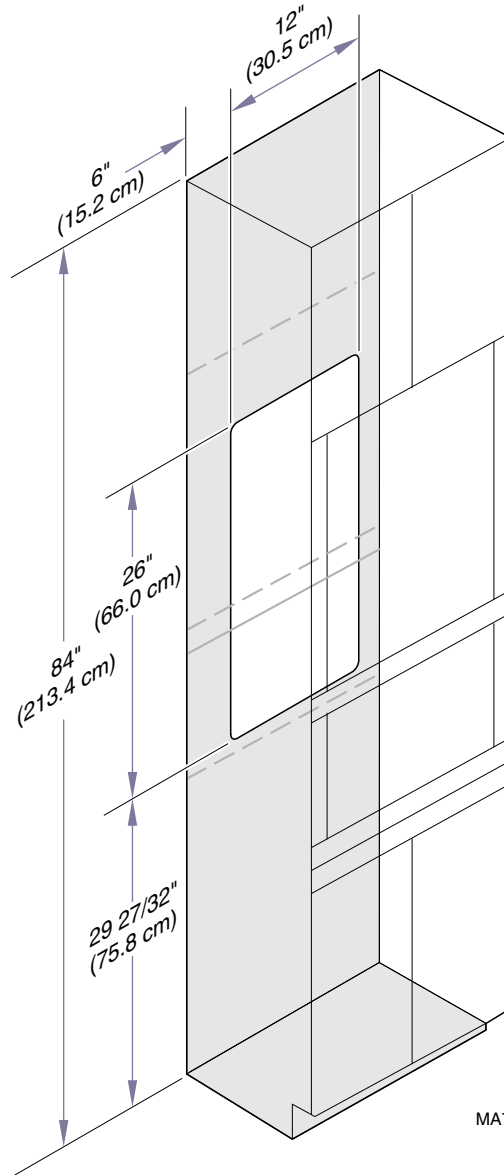


MA8238i

**84" High Sterilizer Cabinet:
24" Width (Available Only)**

NOTE:

**Use the layout below for electrical /
plumbing installation.**

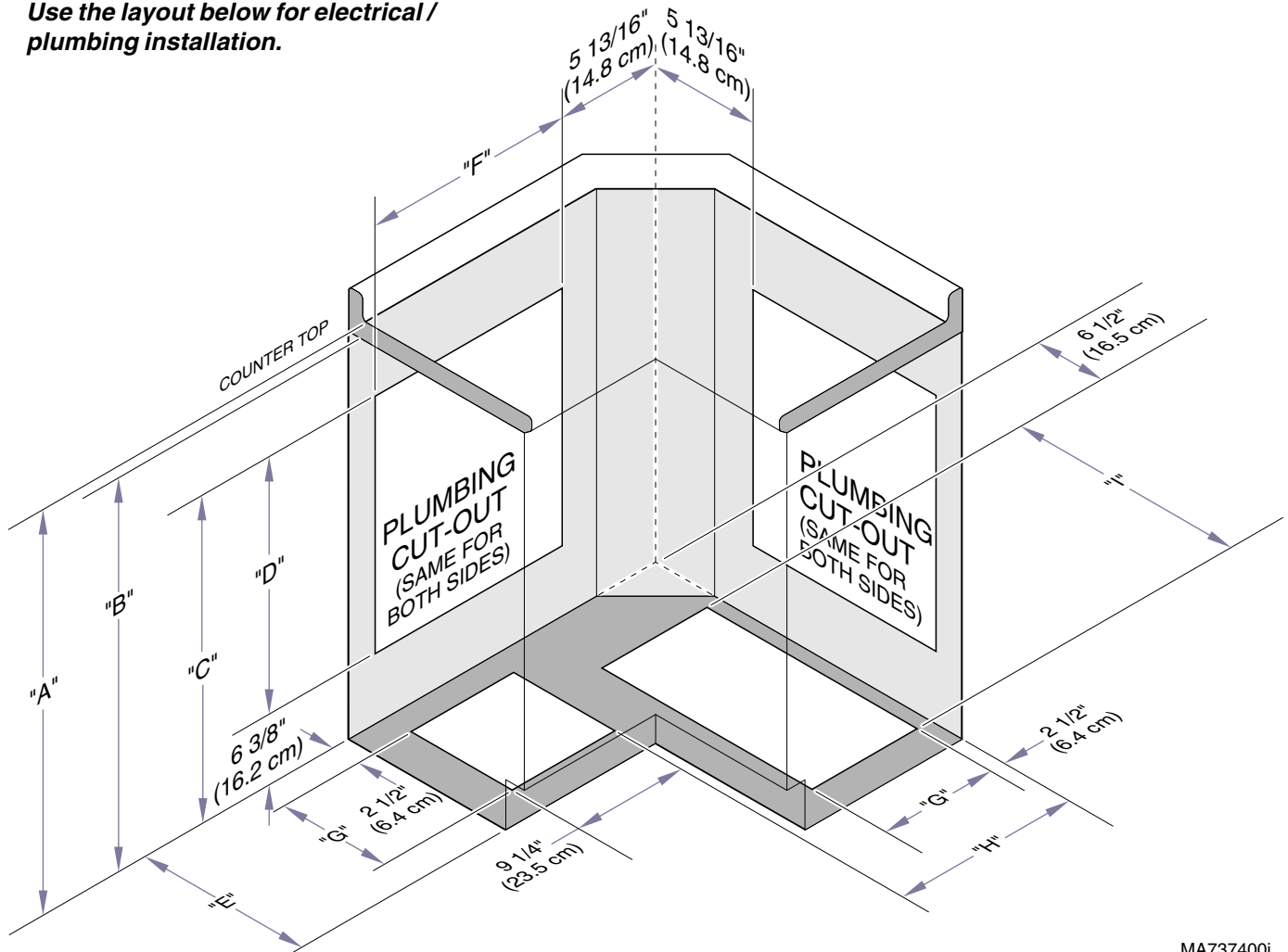


MA732100i

36" & 30" Corner Sink Cabinet

NOTE:

Use the layout below for electrical / plumbing installation.



MA737400i

Cabinet Size	"A"	"B"	"C"	"D"	"E"	"F"	"G"	"H"	"I"
30" x 18" (76.8 cm x 45.7 cm)	30 1/4" (76.8 cm)	28 3/4" (73.0 cm)	22 3/8" (56.8 cm)	16" (40.6 cm)	17" (43.2 cm)	19" (48.3 cm)	11" (27.9 cm)	17 1/4" (43.8 cm)	20" (50.8 cm)
30" x 24" (76.8 cm x 60.9 cm)	30 1/4" (76.8 cm)	28 3/4" (73.0 cm)	22 3/8" (56.8 cm)	16" (40.6 cm)	23" (58.4 cm)	25" (63.5 cm)	17" (43.2 cm)	23 1/4" (59.1 cm)	26" (66.0 cm)
36" x 18" (91.4 cm x 45.7 cm)	36" (91.4 cm)	34 1/2" (87.6 cm)	28 3/8" (72.1 cm)	22" (55.9 cm)	17" (43.2 cm)	19" (48.3 cm)	11" (27.9 cm)	17 1/4" (43.8 cm)	20" (50.8 cm)
36" x 24" (91.4 cm x 60.9 cm)	36" (91.4 cm)	34 1/2" (87.6 cm)	28 3/8" (72.1 cm)	22" (55.9 cm)	23" (58.4 cm)	25" (63.5 cm)	17" (43.2 cm)	23 1/4" (59.1 cm)	26" (66.0 cm)