

For models:

RC (Ritter)

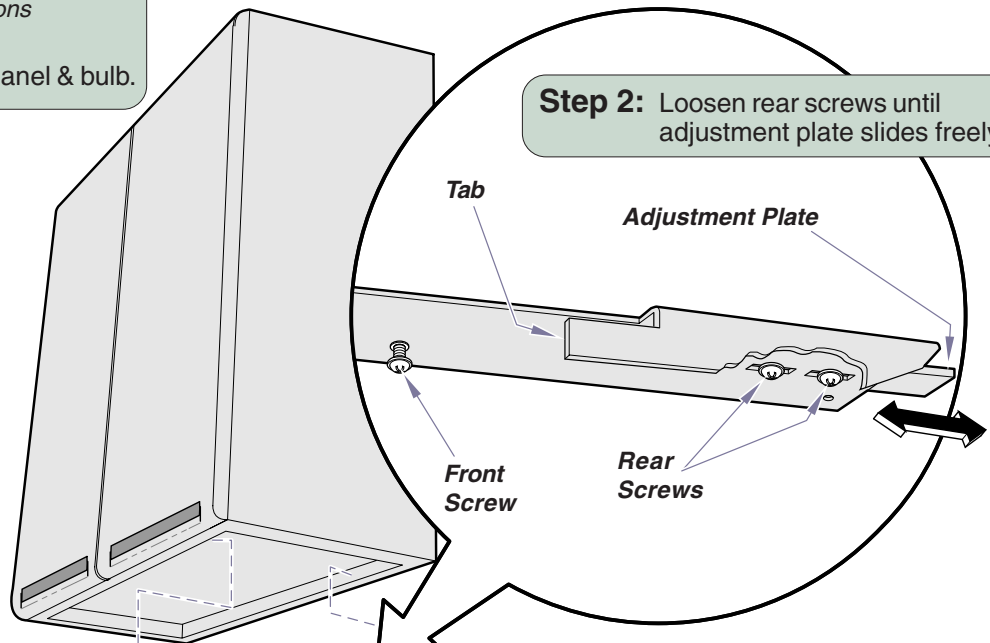
MC (Midmark)

Note

Discard the mounting instructions from Light Corp.

Step 1: Remove diffuser panel & bulb.

Step 2: Loosen rear screws until adjustment plate slides freely.



Step 5: Install diffuser panel & bulb.

Step 3: Insert mounting bracket tab into slot in back of light housing.

Secure bracket to housing with front screw & lockwasher.

Repeat for other bracket.

Step 6: Plug into appropriate 115V receptacle. (If power cord supplied.) Otherwise refer to Hardware or Daisy Chain Application.

Note: There is a 1/4" hole in each mtg. bracket for cable ties to secure power cord.

Step 4: Position front of mounting brackets on lip under front edge of cabinet.

Slide adjustment plates so they rest securely on lip under rear edge of cabinet.

Tighten rear screws.

Hardwire Applications:

Hardwire applications require a licensed electrician to connect the three wires (hot, neutral, ground) to the facility electrical system. A conduit hole is provided in back of light housing.

All applicable local codes must be adhered to.

Daisy Chain Applications:

The daisy chain option allows up to ten lights to be wired together using a single supply source. Each fixture can be turned On / Off independently. The first light must be a DCP (daisy chain w/power cord). The specifier must indicate whether a power cord (DCP), or jumper cord (DCJ) is required for additional fixtures.