



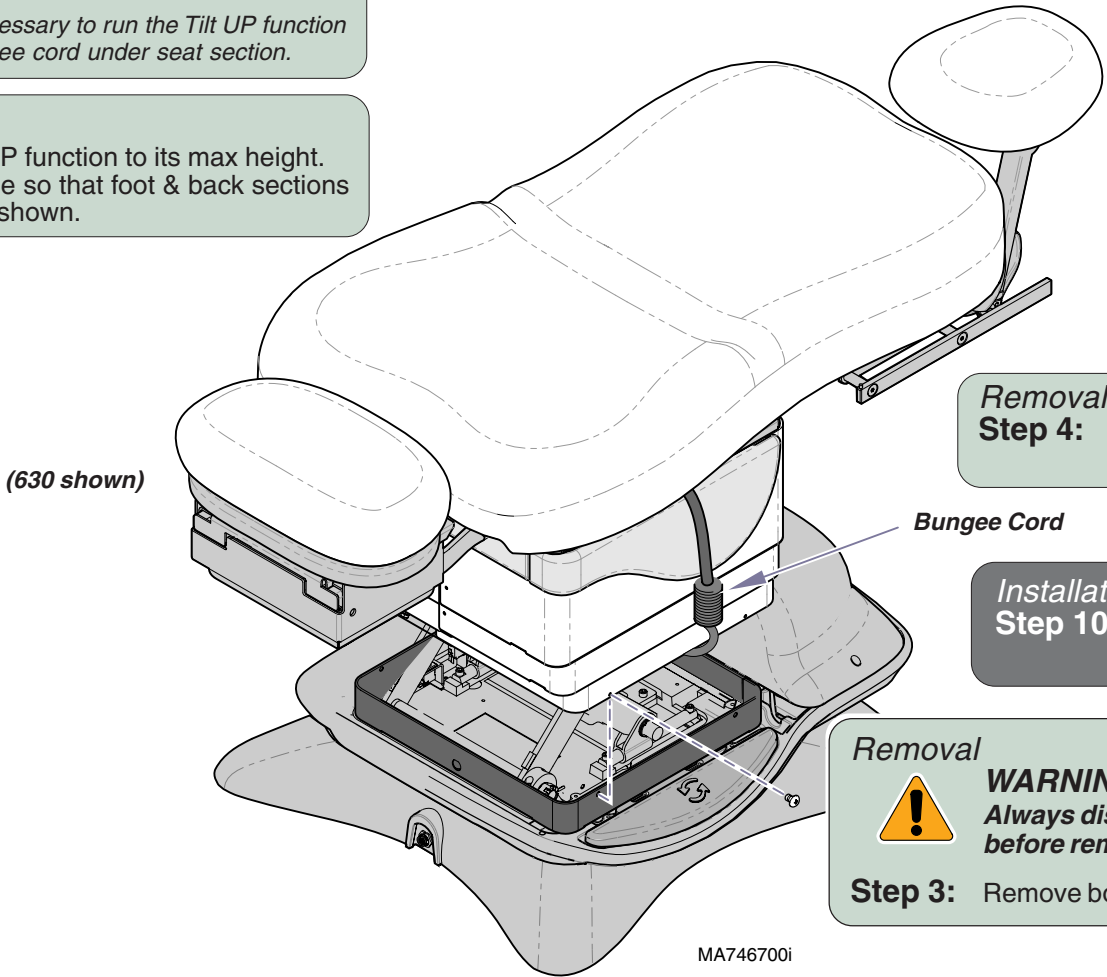
# Rotational Base Repair Kit [002-0998-0x]

- Components:**  
 Rotational Base Assy (Lower) ..... 1  
 Cable Ties ..... 6
- Special Tools:**  
 bungee cord  
 saw horses (2)  
 5/16" allen wrench

**Removal**  
**Step 1:** Route bungee cord across top of base column (*under seat*).

**Note:** It may be necessary to run the Tilt UP function to route bungee cord under seat section.

**Removal**  
**Step 2:** Run Base UP function to its max height. Position table so that foot & back sections are level as shown.

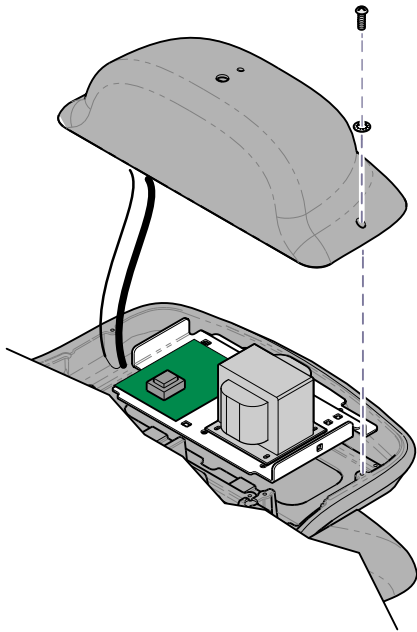


**Removal**  
**Step 4:** Raise shrouds, then attach bungee cord hooks under shrouds on both sides.

**Installation**  
**Step 10:** Remove bungee cord. Secure inner shrouds w/screws.

**Removal**  
**WARNING**  
 Always disconnect table power cord before removing any covers or shrouds.

**Step 3:** Remove bottom screws from inner shrouds.



**Removal**  
**Step 5:** Partially separate PC board cover.

**Note:** Do not disconnect wire harnesses.

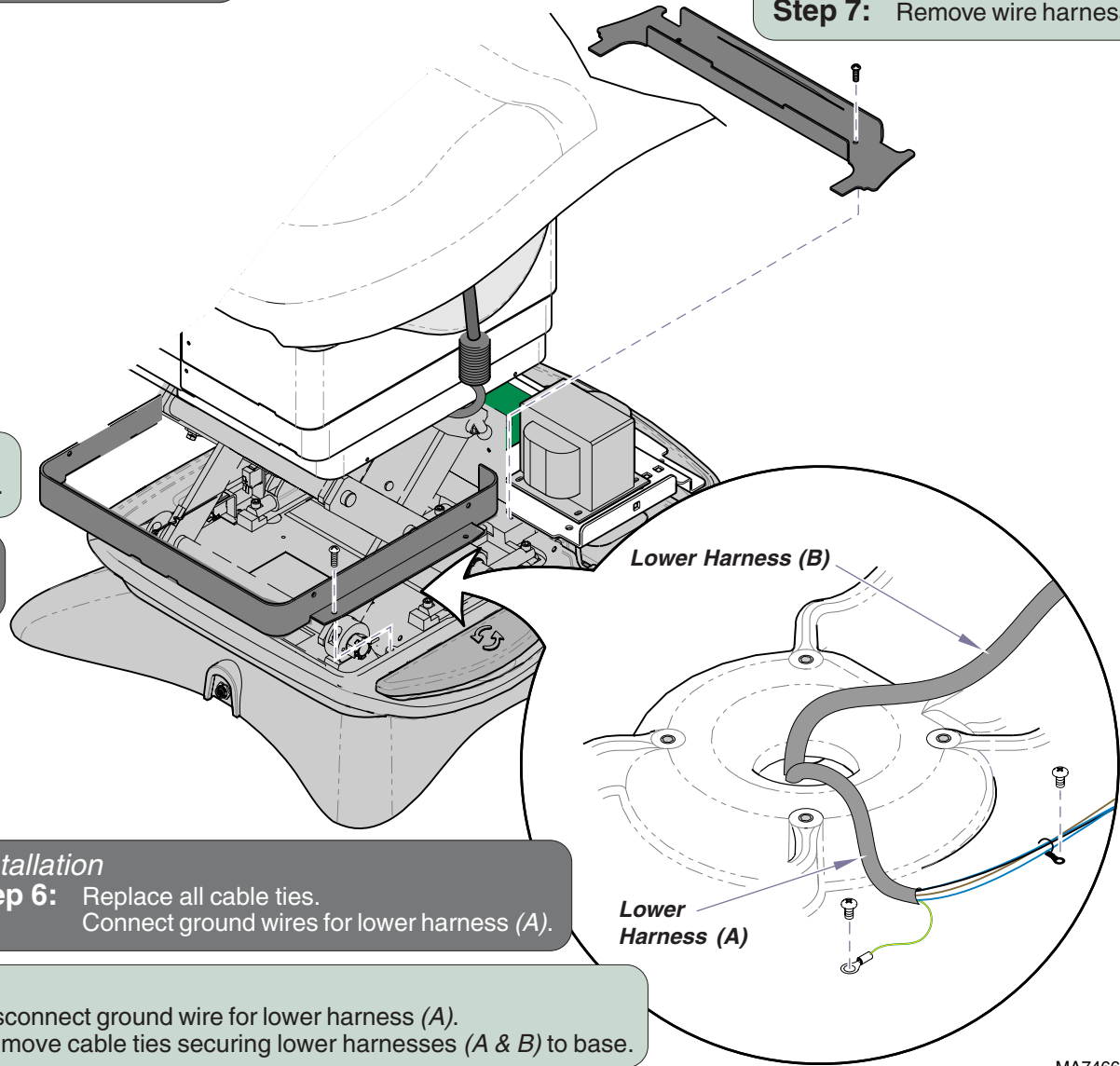
**Installation**  
**Step 9:** Replace PC board cover.

**Installation**  
**Step 7:** Install wire harness cover.

**Removal**  
**Step 7:** Remove wire harness cover.

**Removal**  
**Step 6:** Remove shroud spacer.

**Installation**  
**Step 8:** Install shroud spacer.



**Installation**  
**Step 6:** Replace all cable ties.  
 Connect ground wires for lower harness (A).

**Removal**  
**Step 8:** Disconnect ground wire for lower harness (A).  
 Remove cable ties securing lower harnesses (A & B) to base.

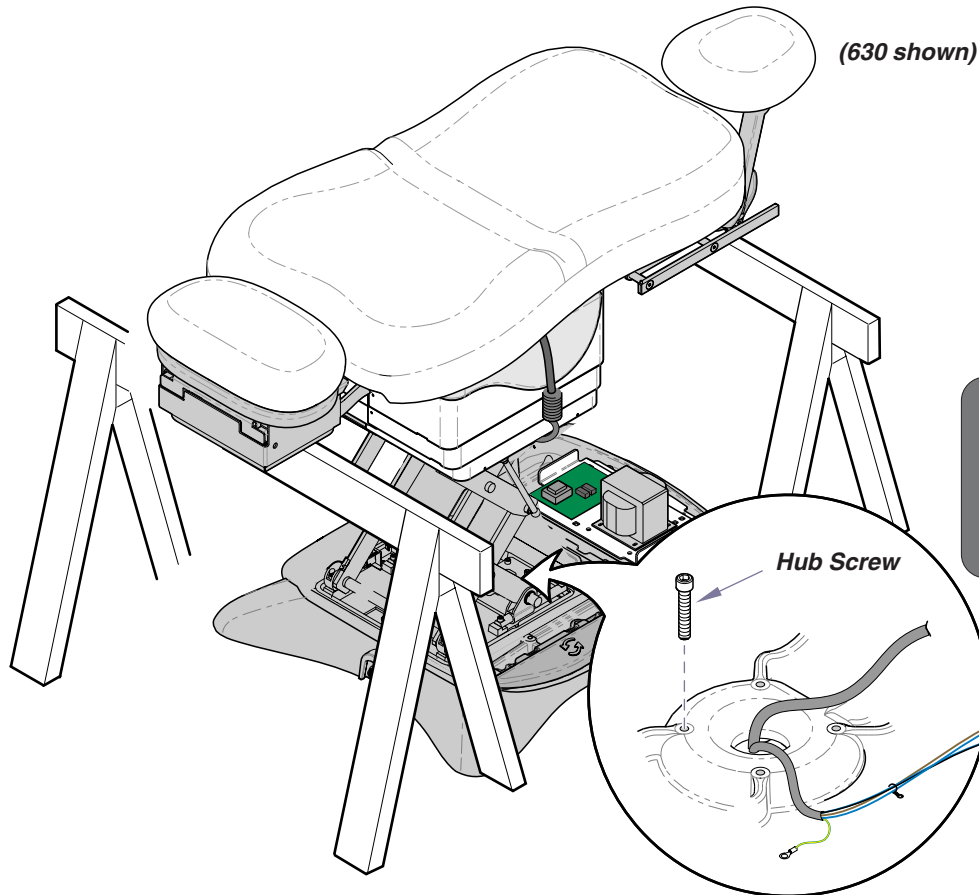
*Removal*



**CAUTION**

*The table weighs approx. 540 lbs (244 kg).  
Use supports designed for this amount of weight.*

**Step 9:** Position sawhorses (or other suitable supports) under back section weldment & foot section weldment.



*Installation*



**WARNING**

*Disconnect the table power cord before performing the remaining Installation steps.*

**Step 5:** Install four hub screws.

*Removal*



**CAUTION**

*The table top / upper base is not secured once the hub screws are removed. Hold onto the table when performing the following steps.*

**Step 10:** Remove four hub screws.

MA715200i

Removal & Installation  
**WARNING**



The Removal & Installation steps on this page require power to be connected to the table. Avoid all contact with wiring & electrical components.



Removal



**Equipment Alert**

The two lower wire harnesses are still connected to upper casting. Running the Base Down function too long may result in damage to the table.

**Step 11:** Press **Base DOWN** button on hand or foot control until upper and lower base castings separate slightly.

Installation

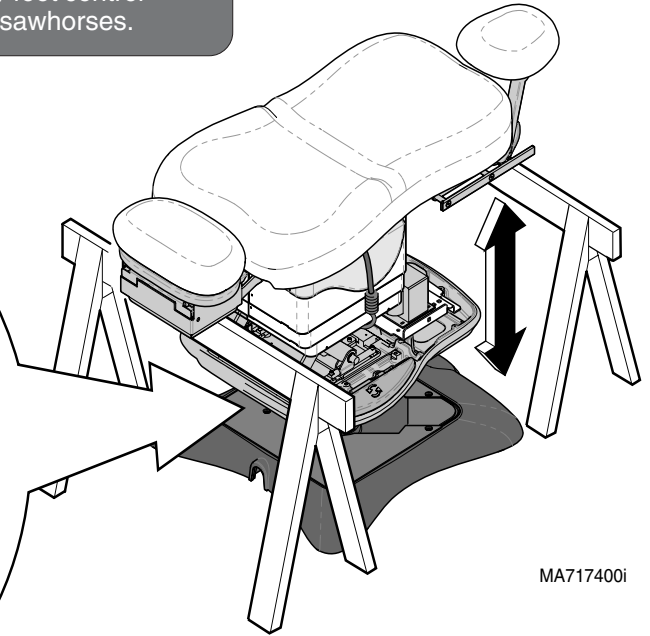


**CAUTION**

The table top / upper base is not secured until the hub screws are installed. Hold onto the table when performing the following steps.

**Step 3:** Press **Base UP** button on hand / foot control until table raises (slightly) off of sawhorses.

(630 shown)



MA717400i

Installation

**Step 4:** Carefully adjust table top until alignment studs on bottom of upper casting lock into the notches on the rotation wheel.

**Note:** You will feel table top drop into place when alignment studs engage notches.

