

Adjustable Countertop Combo Installation

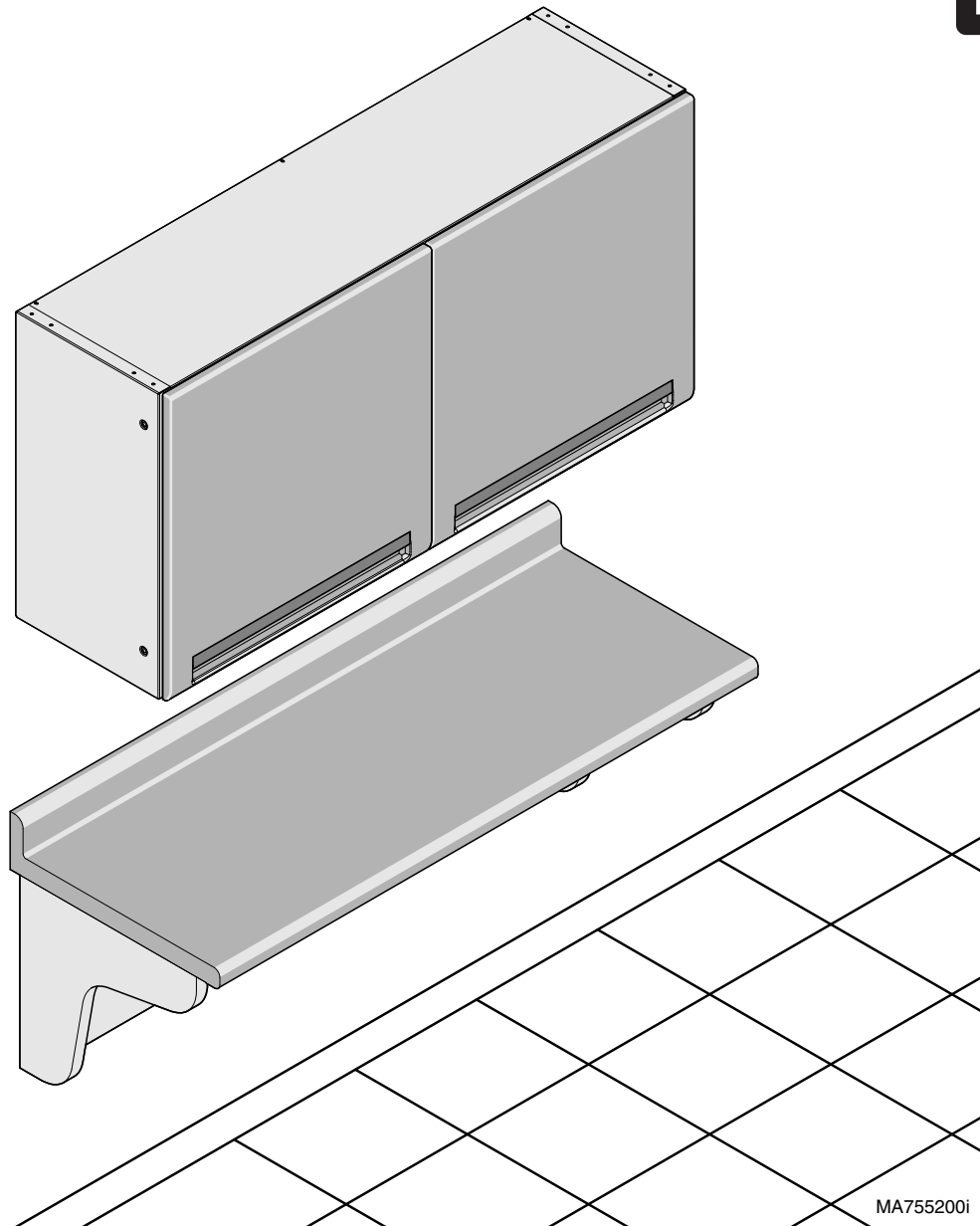


Applies to Models:

MC-ACC048
MC-ACC036
MC-ACC024

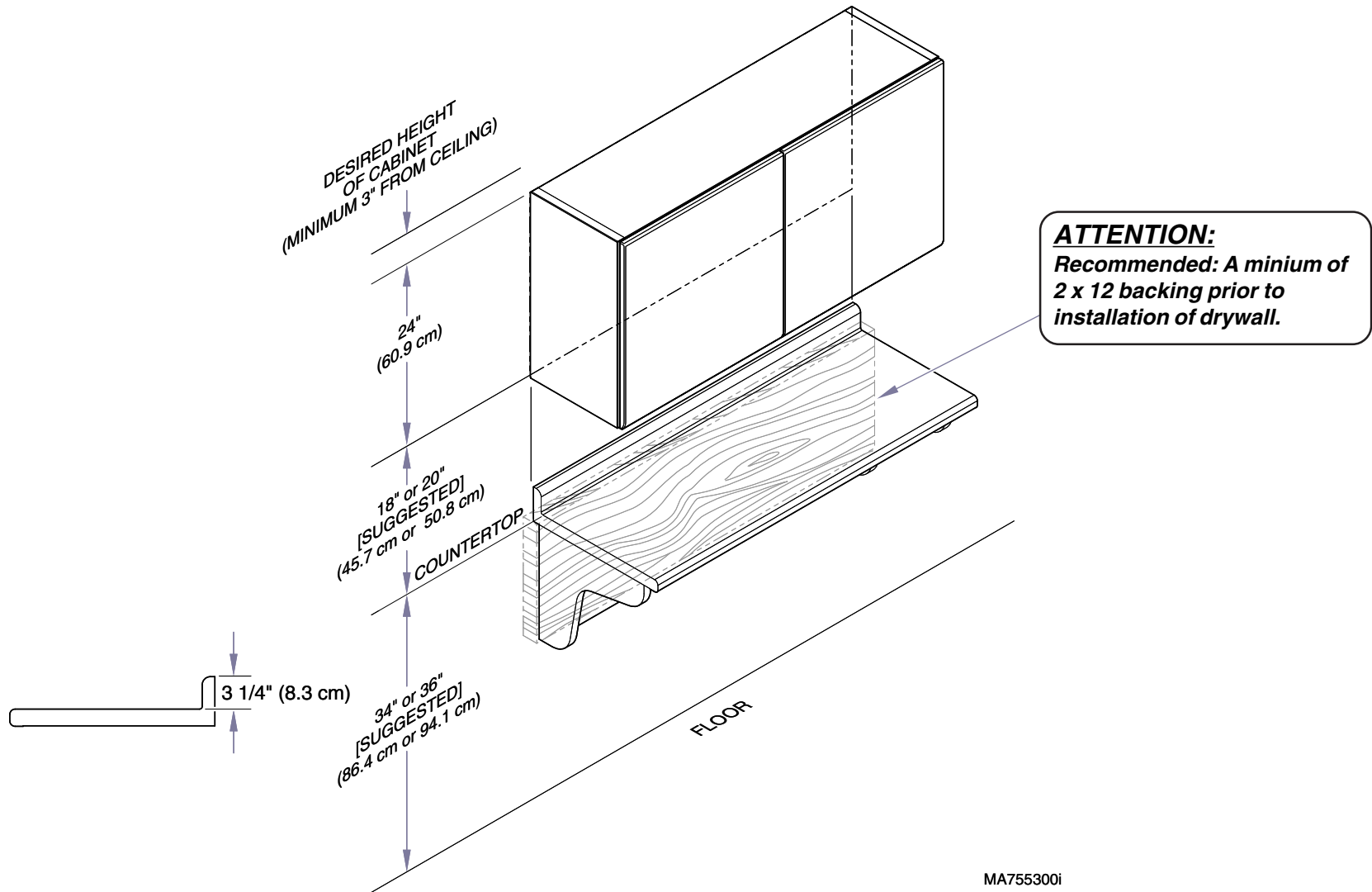
Required Tools

Stud Finder
Level
1/4" deep well socket
Screwdriver with phillips
head (Cordless optional)
Tape measure
Drill
Drill Bits



MA755200i

Wall Layout Preparation for Midmark Adjustable Countertop Combo



MA755300i

Overhead Brackets & Countertop Hanging Board Installation

Step 4: Line up bottom of hanging bracket with mark and secure with hardware (not supplied). Use shims if wall is not true. **Installer must hit stud with at least one screw per bracket.** Use molly where studs are not available.

NOTE:
If necessary, level bottom of overhead with shims and double sided tape (not supplied).

Step 3: Measure down 1-5/8" (4.1 cm) and mark for hanging bracket. Use level to extend mark. If hanging adjacent cabinets allow 2" between bracket and each adjacent cabinet.

Step 2: Measure up from highest point of floor and mark at desired height of overhead cabinet (Allow minimum clearance of 3" (7.6 cm) from ceiling).

Step 5: Measure from floor up 32.50" (82.6 cm) and mark wall. Line up top of hanging board with mark and secure with hardware (not supplied). **Installer must hit stud or backer with a row of screws with backup washer in board.**

NOTE:
If necessary, drill new holes in hanging board if predrilled holes do not line up.

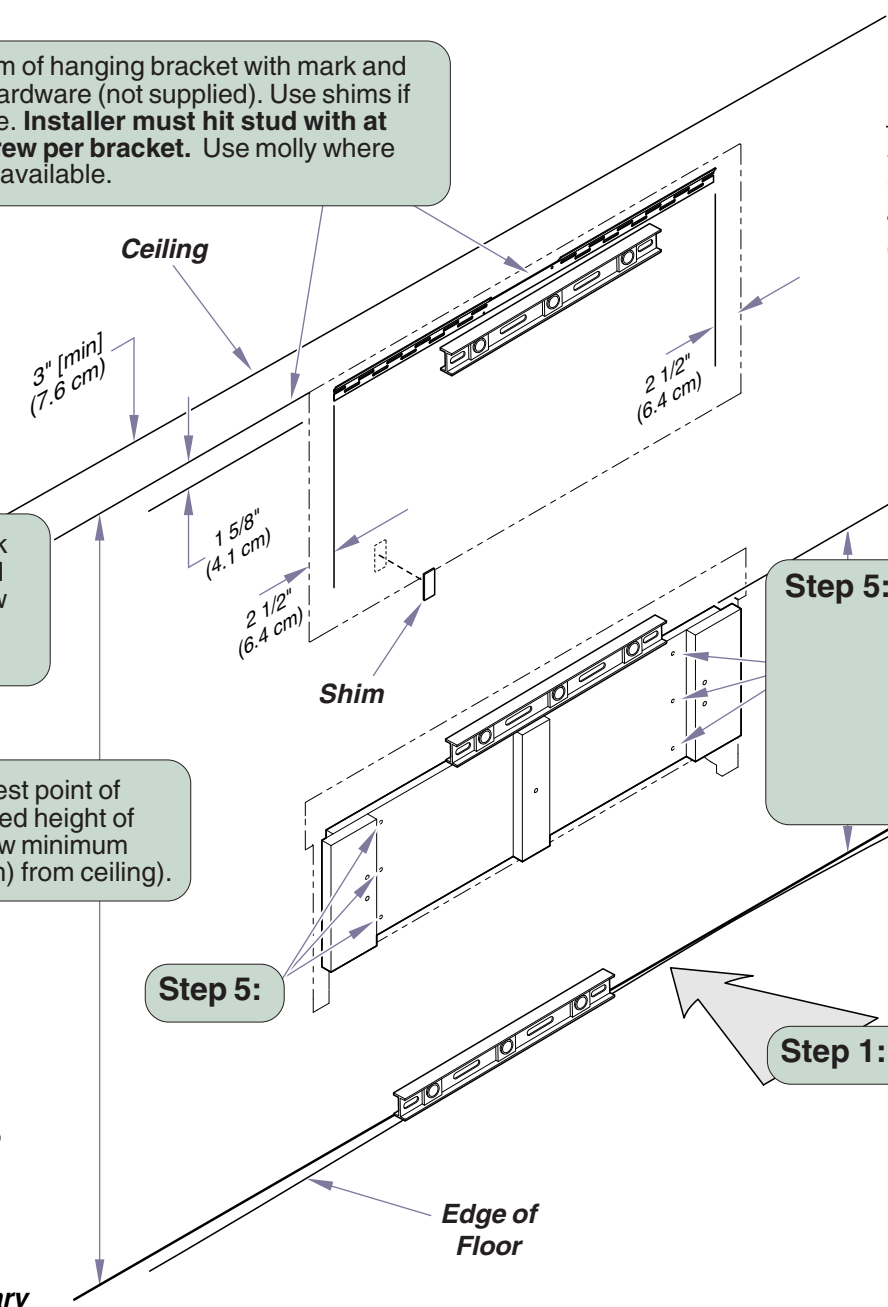
Step 5:

Step 1: Find highest point of floor.

OVERHEAD CABINET NOTE:

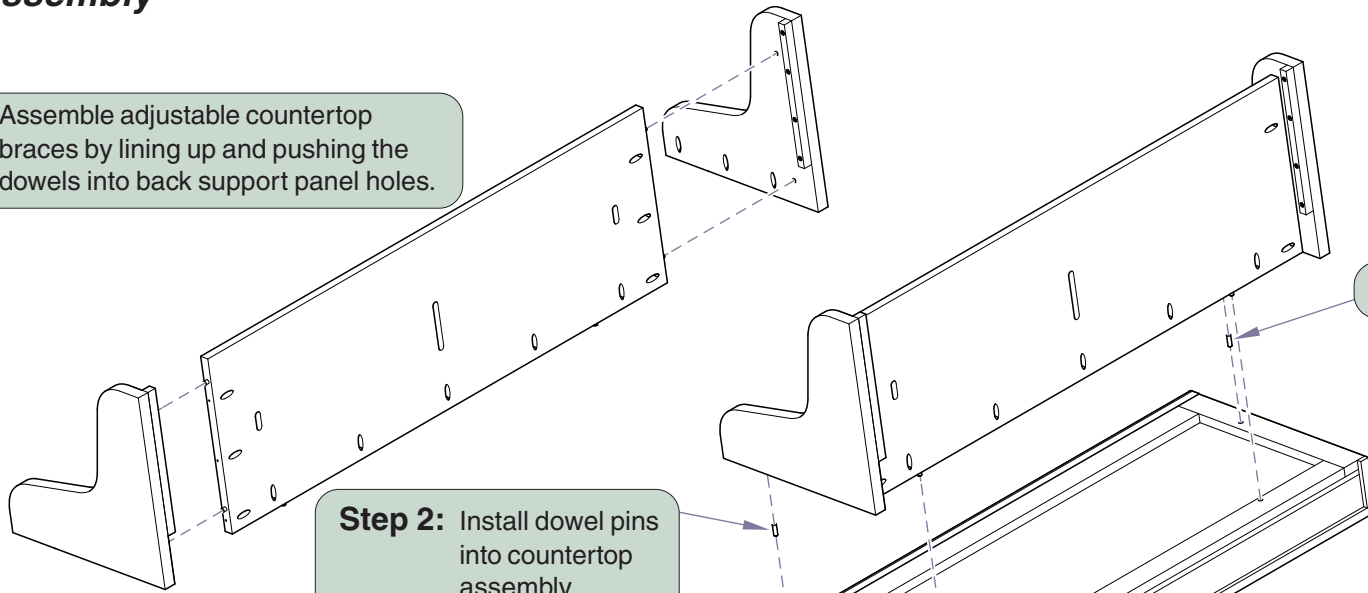
Facility Construction:

- Stud walls (standard) use #12 x 2 wood screws (coarse threaded).
- Steel studded walls use sheet metal screws.
- Hollow type or masonry walls use 1/4" machine screw expansion anchors of adequate length. A 3/16" short molly or other type fastener may be used if predrilled.
- Rough solid concrete or brick wall use #12 round head wood screw or a specialized masonry fastener.



Countertop Assembly

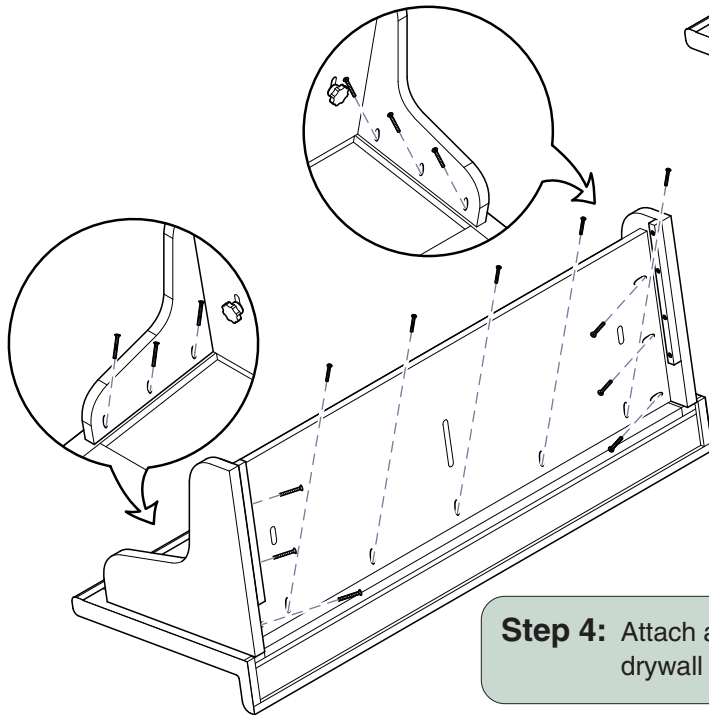
Step 1: Assemble adjustable countertop braces by lining up and pushing the dowels into back support panel holes.



Step 2: Install dowel pins into countertop assembly.

Step 2:

Step 3: Align countertop assembly dowels with dowel holes in countertop and push together.

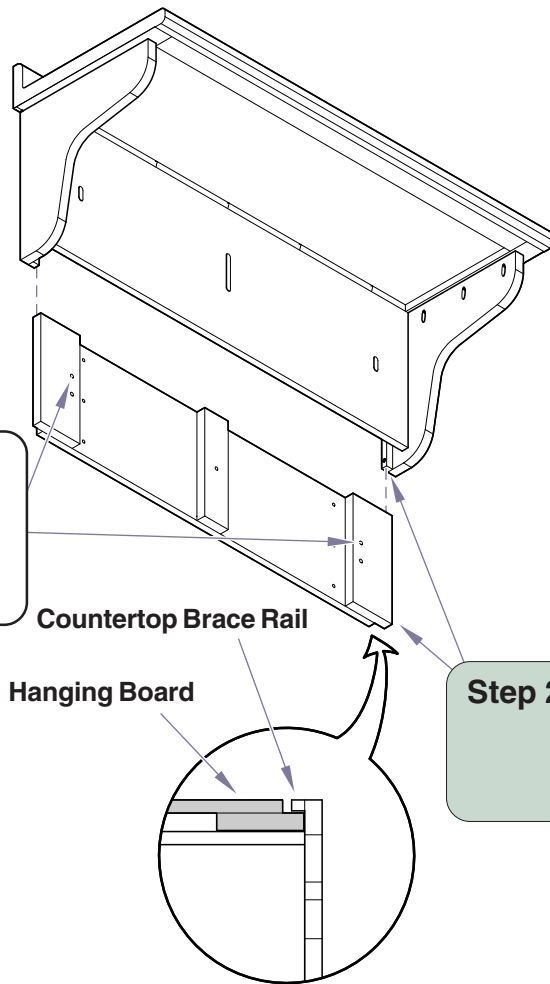


Step 4: Attach assemblies with #8 x 1 1/2 drywall screws provided.

MA755500i

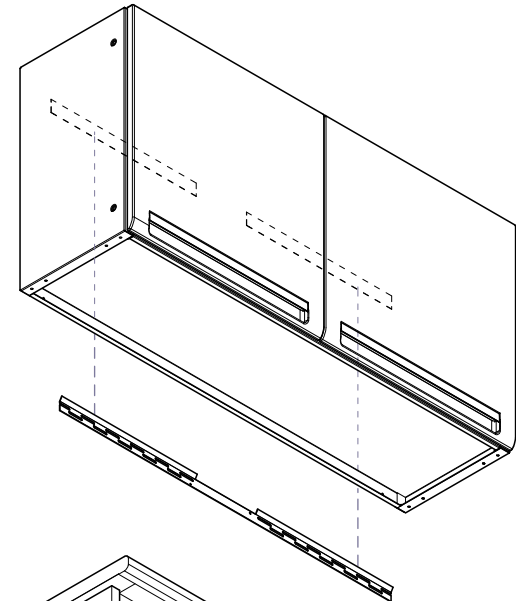
Installation of Countertop and Overhead Cabinet

ATTENTION:
Recommended:
Use upper holes in
hanging board when
docking mobile cart.

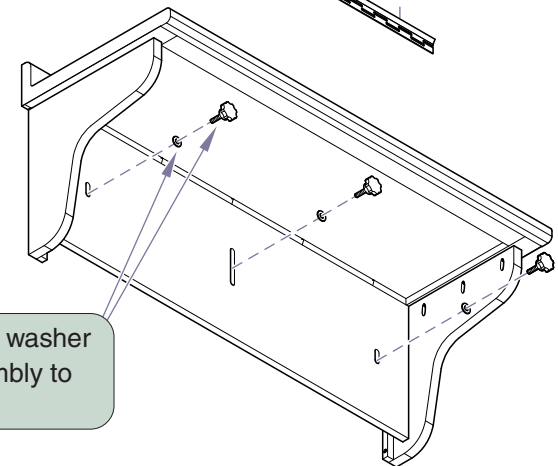


Step 2: Slide counter top Assembly over wall hanger board making sure brace rails are behind hanging board.

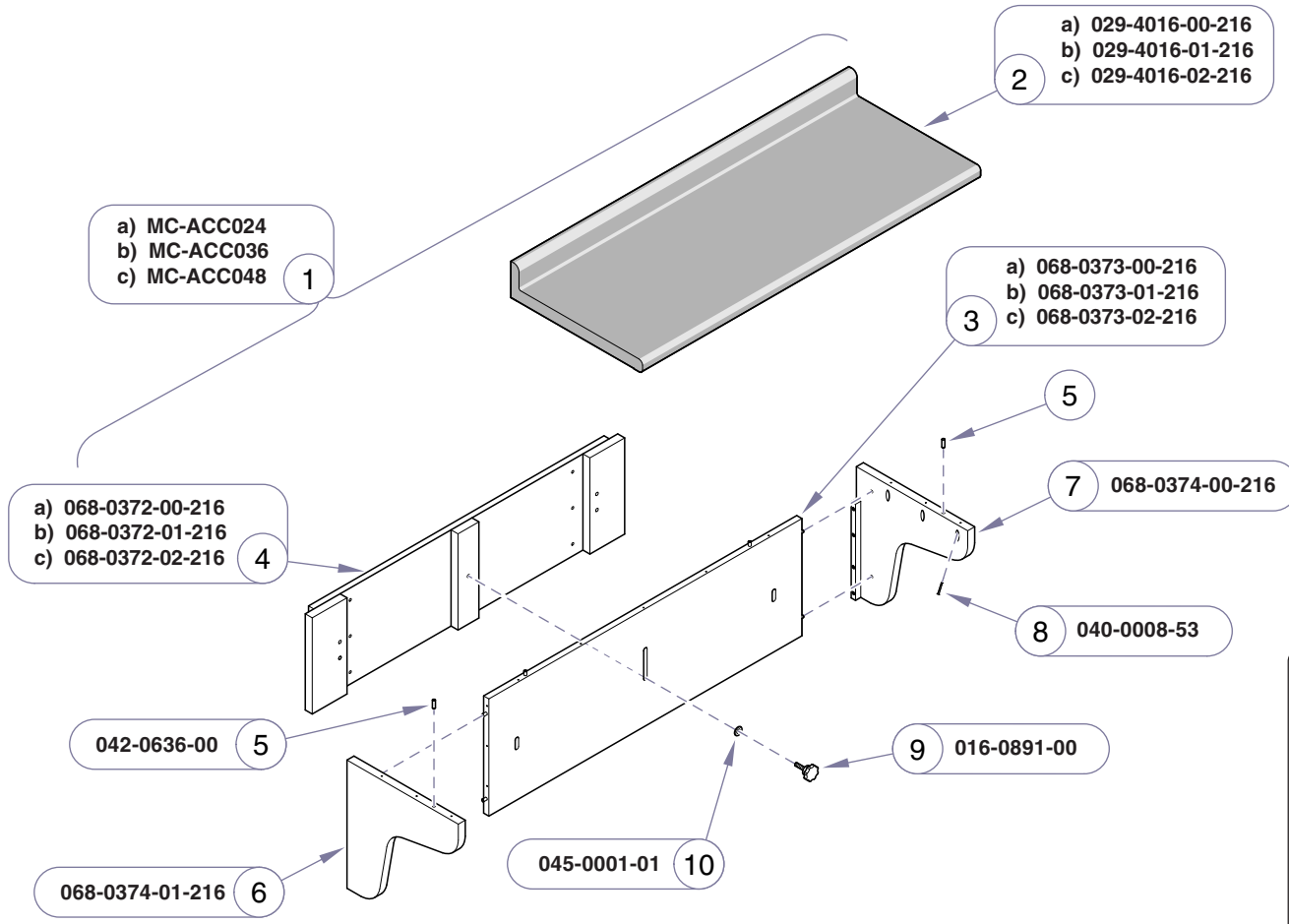
Step 1: Hang the overhead cabinet securely on hanging bracket.



Step 3: Secure countertop with washer and plastic knob assembly to desired position.



MA755601i



- a) 029-4016-00-216
- b) 029-4016-01-216
- c) 029-4016-02-216

- a) MC-ACC024
- b) MC-ACC036
- c) MC-ACC048

- a) 068-0373-00-216
- b) 068-0373-01-216
- c) 068-0373-02-216

- a) 068-0372-00-216
- b) 068-0372-01-216
- c) 068-0372-02-216

- 068-0374-00-216

- 040-0008-53

- 042-0636-00

- 016-0891-00

- 068-0374-01-216

- 045-0001-01

MA7584001i

Item	Description	Qty.
1	Adjustable Countertop Assembly: (includes items 2 & 10)	
	a) 24"	1
	b) 36"	1
	c) 48"	1
2	• Countertop	
	a) 24"	1
	b) 36"	1
	c) 48"	1
3	• Back Support Panel	
	a) 24"	1
	b) 36"	1
	c) 48"	1
4	• Wall Mounting Bracket	
	a) 24"	1
	b) 36"	1
	c) 48"	1
5	• Dowel	4
6	• Left Countertop Brace	1
7	• Right Countertop Brace	1
8	• Screw (#8 x 1 1/2")	AR
9	• Plastic Knob	3
10	• Washer	3

Models: All
Build Dates: