

Printed Circuit Board Replacement Kit 002-1029-00 (115 VAC) 002-1029-01 (230 VAC)

Components:

002-1029-00	(115 VAC Kit)*
002-1029-01	(230 VAC Kit)**
015-2140-01* Main PCB (115 VAC)*
015-2140-03** Main PCB (230 VAC)**
015-2155-00 Harness, Main Power
053-0068-00-216	... Plug
015-0013-02 Wire Ties
015-1113-01 Wire nuts
061-0967-00*	
061-0967-01** Label, Fuse Replacement, PCB
003-1712-00 Wiring Diagram
003-1711-00 Installation Instructions

* Part included with 115 VAC Kit only

** Part included with 230 VAC Kit only

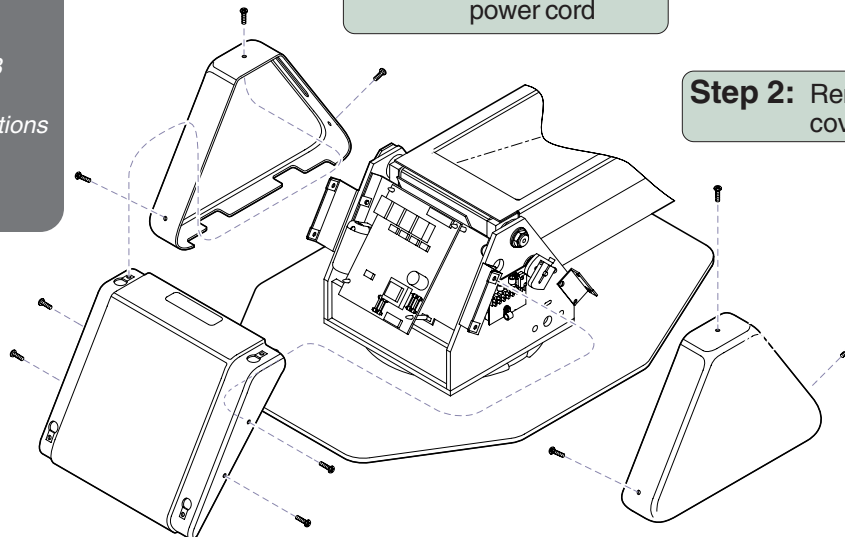


WARNING

Always disconnect the power to the chair before attempting to remove covers or change parts. Failure to comply may result in personal injury.

Step 1: Unplug the chair power cord

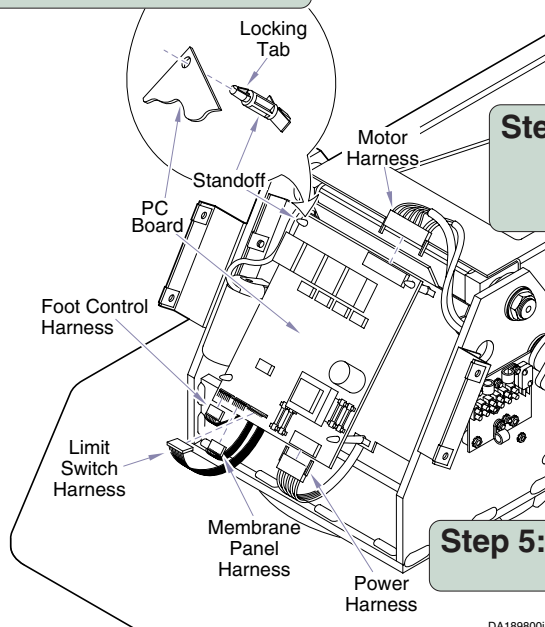
Step 2: Remove the covers.



DA189700i

Step 4: Depress the locking tab on each standoff and remove the PC board.

Step 3: Tag each harness for later reassembly, then disconnect the harnesses.



NOTE:

It may be necessary to remove the screws that secure the PC mounting plate to the chair and turn the plate in order to remove the Power Harness.

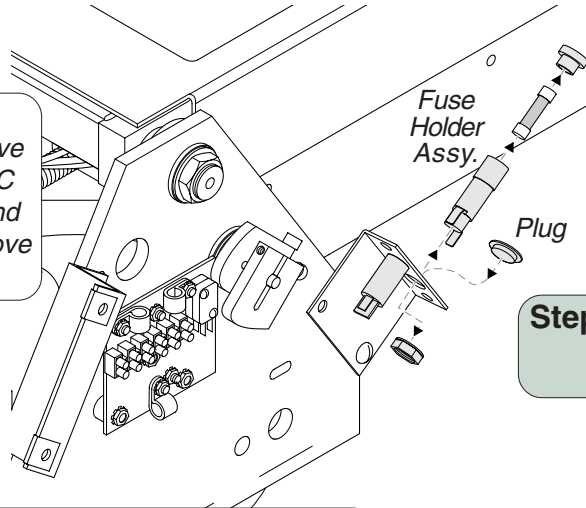
Step 5: Remove the Power Harness.

DA189800i

NEW POWER, LIGHT HARNESS & PC BOARD

NOTE:

It may be necessary to remove the screws that secure the PC mounting plate to the chair and turn the plate in order to remove the Power Harness.



NOTE:

The Supply Line Fuses are located on the Main PC Board. The fuse holder(s), if applicable, is no longer required and must be removed.

Step 2: Remove the Supply Line Fuse Holder assembly and install the plug on the bracket.

Step 1: Remove the Power Harness between J1 Connection on the PC Board, the Line Fuse (F4), and the connections at the terminal block for the supply power.

DA1900001

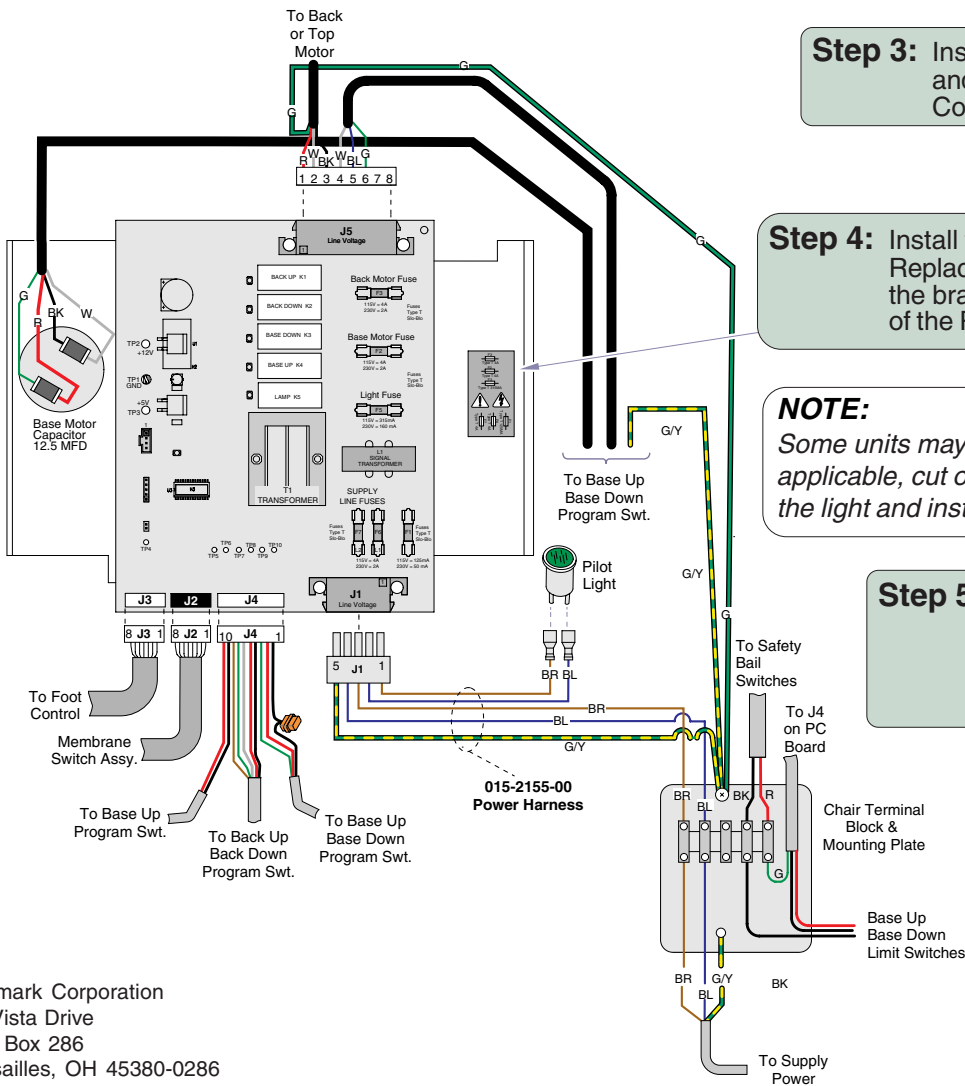
Step 3: Install the new PC Board and new Power Harness. Connect all other harnesses.

Step 4: Install the new Fuse Replacement Label on the bracket to the right of the PC Board.

NOTE: Some units may not have a Power ON light. If applicable, cut off the connectors from the wires to the light and install the wire nuts that are included.

Step 5: Remove the wiring diagram from the plastic sleeve located on the inside of the side base cover and insert the new diagram. Install the covers.

NOTE: Remove the fuse label that is located on the outside of the side cover as it will no longer be required.



Midmark Corporation
 60 Vista Drive
 P.O. Box 286
 Versailles, OH 45380-0286
 937-526-3662
 Fax 937-526-5542
 www.midmark.com

DA1828001

