



Foot Ring [9A367] 6" Lab Height Extension [9A368]

Contents:
Installation 1

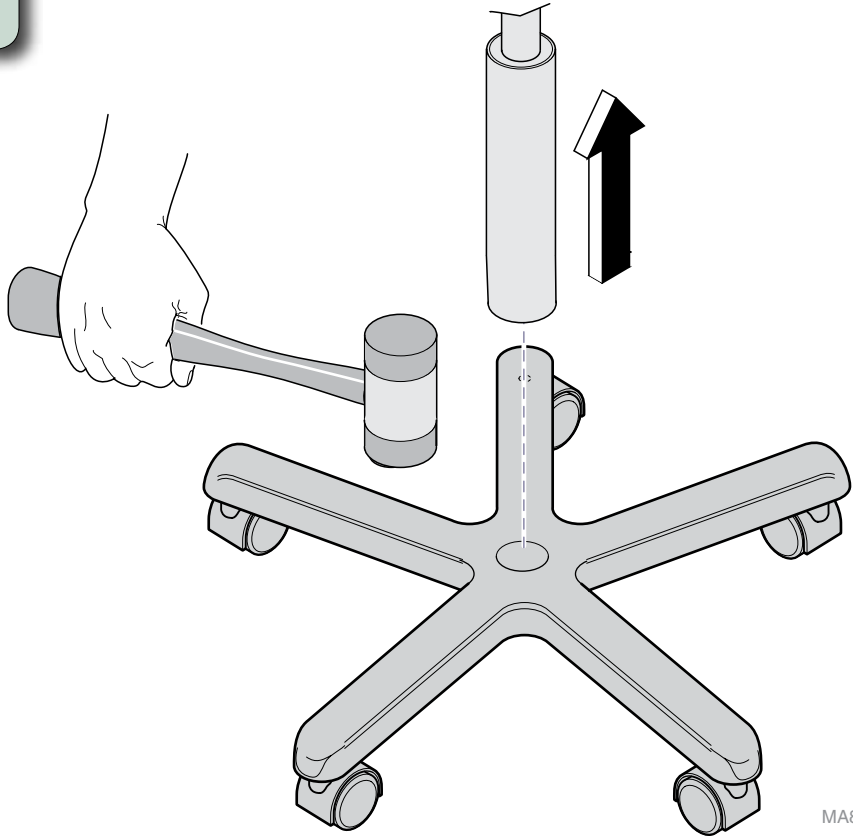
Special Tools:
rubber mallet
allen wrench (1/8")

Language of origin: English

Intended Use:
9A367: To provide stability for user's feet while sitting on 270-series stools.
9A368: To provide additional height for 270-series stools.

Restrictions:
9A367 / 9A368: Cannot be used on models with foot release pedal (ex. 278).

Step 1: Separate base / cylinder.
A) Grasp the cylinder tightly and lift the base off the floor.
B) Tap the base with a rubber mallet until cylinder separates.



MA8768i

TP200 Rev. A

**Caution**

The tapered end of the cylinder / height extension must be seated firmly. Midmark recommends having a 150lb+ person sit on the stool approximately 20 times to ensure proper engagement of the cylinder.

Step 2a: Install foot ring.

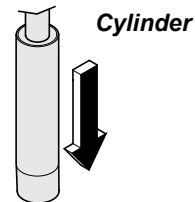
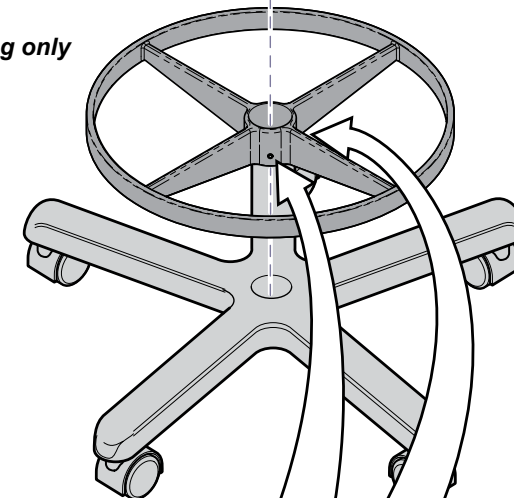
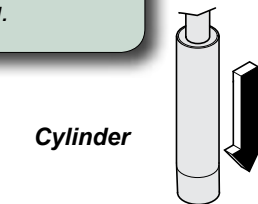
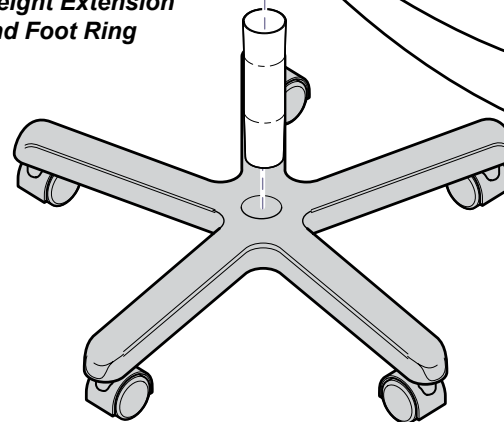
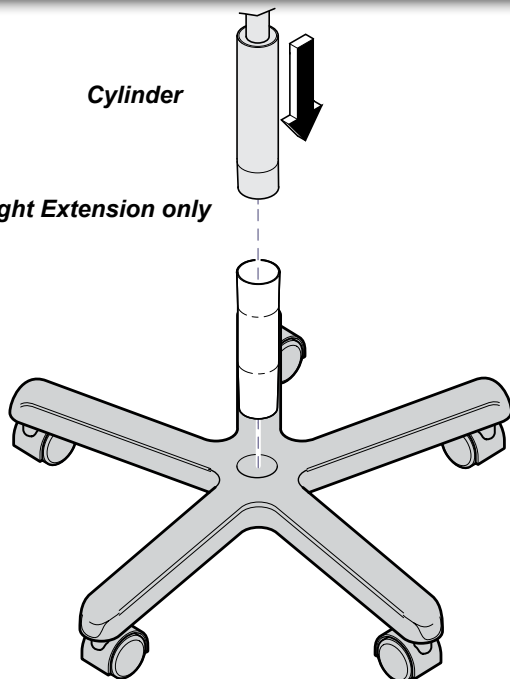
- Loosen or remove set screws (2) in foot ring.
- Slide foot ring onto cylinder and install cylinder into base seating firmly.
- Install or tighten set screws (2) in foot ring.

Step 2b: Install height extension and foot ring.

- Loosen or remove set screws (2) in foot ring.
- Slide foot ring onto cylinder and install cylinder, foot ring and height extension into base seating firmly.
- Install or tighten set screws (2) in foot ring.

Step 2c: Install height extension.

- Install the height extension into base seating firmly.

**2a. Foot Ring only****Cylinder****2b. Height Extension and Foot Ring****Cylinder****2c. Height Extension only**

MA8769i



Because we care.