

Quartz / Corian Countertop Installation

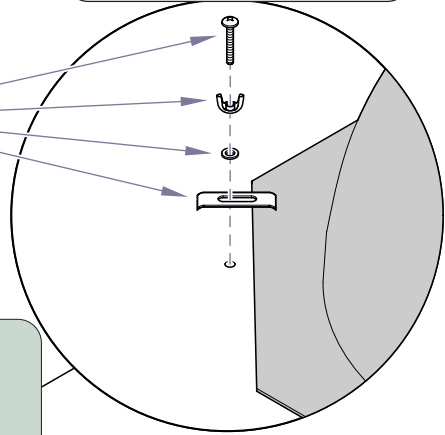
Components:	
Countertop	1
Adhesive Sealant	1
Back Splash	1
Sink Bowl	AR
Sink Hardware .	AR
Special Tools:	
none	

Note

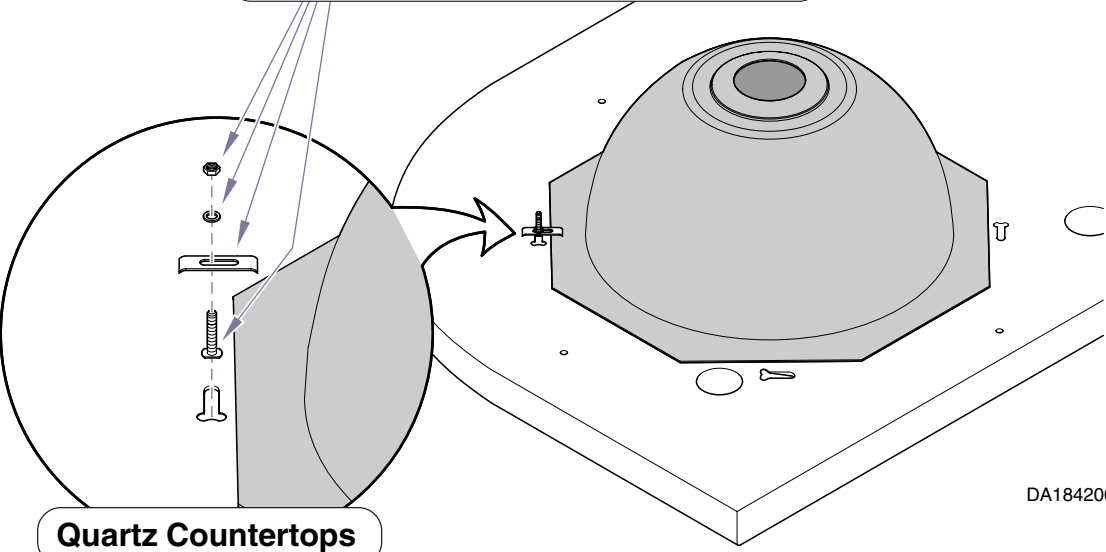
Read directions on adhesive sealant before using.

Corian Countertops

Sink Units only
Step 4: Align sink clip, washer, wing nut and screw as shown. Tighten screw to bottom of counter top. Using wing nut to tighten sink clip to sink.



Sink Units only
 (go to **Step 4** if not applicable)
Step 3: Insert four anchor bolts into slots, then place sink clips onto bolts. Secure sink with washers and nuts.



Quartz Countertops

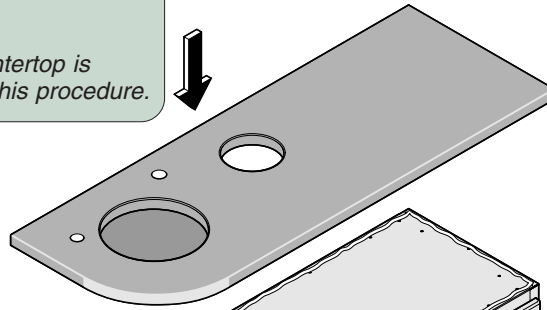
Sink Units only
 (go to **Step 5** if not applicable)
Step 1: Apply adhesive (provided) to sink as shown.

Sink Units only
Step 2: Align logo with back of sink cutout. Making sure there is an even amount of space around the cutout and sink. Press sink to bottom of countertop.

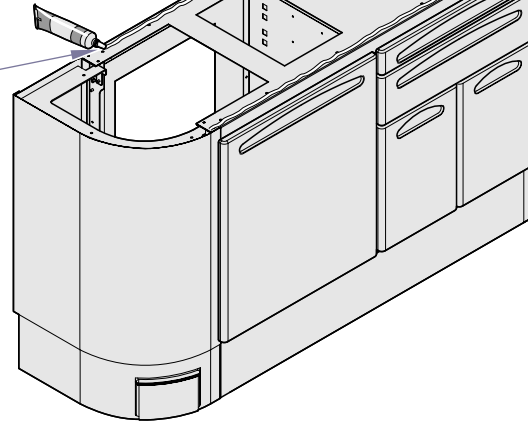
DA184200i

Step 6: Line up countertop to cabinet and secure by push countertop tightly against cabinet.

Note: Midmark recommend if countertop is large to use 2 installers for this procedure.

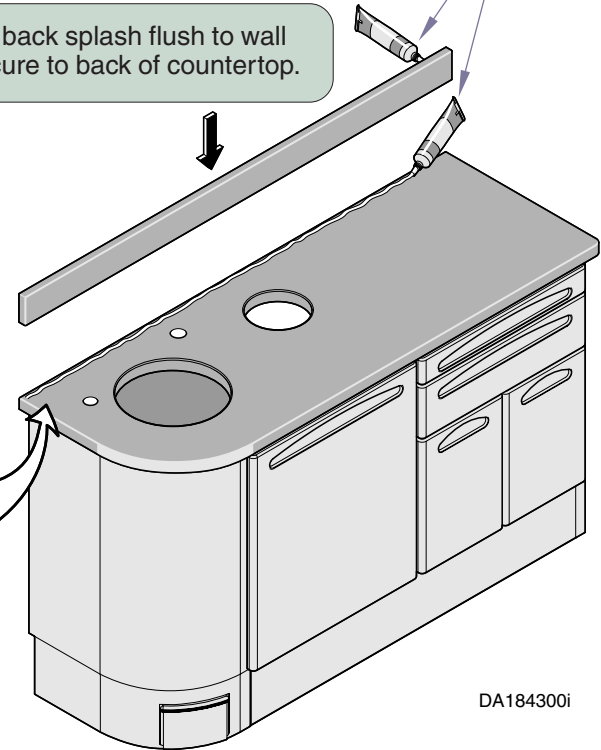


Step 5: Using provided adhesive sealant put a bead on top surface of cabinet.



Step 7: Apply adhesive sealant to top countertop and back of back splash.

Step 8: Line up back splash flush to wall and secure to back of countertop.



Note
Midmark recommends to use waterproof caulk to seal back splash. (Not provided)

DA184300i