



Chair Arms / Arm Upholstery

[9A396 / 9A397 / 9A398 / 9A399 / 002-1306-0x]

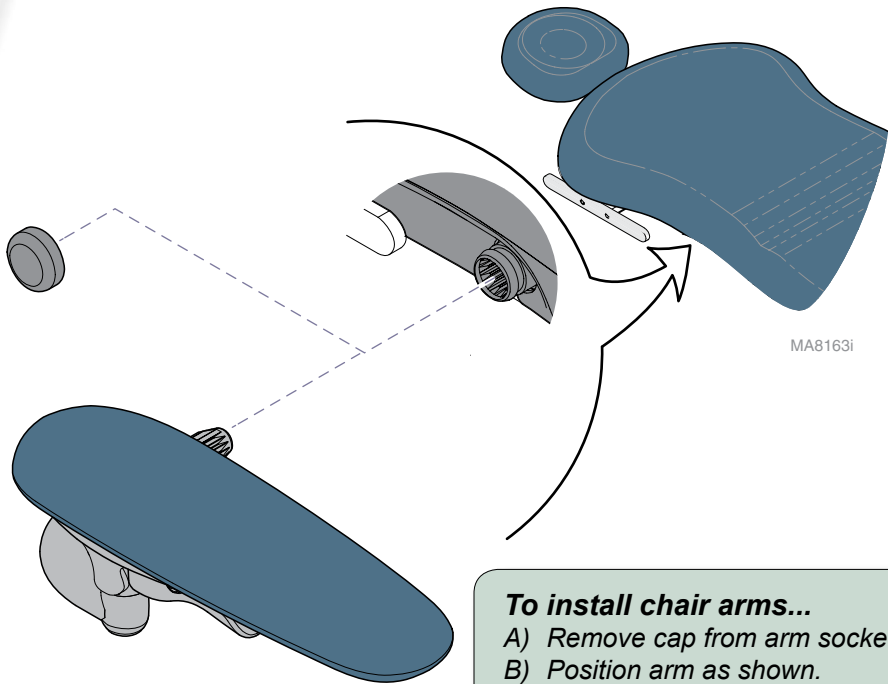
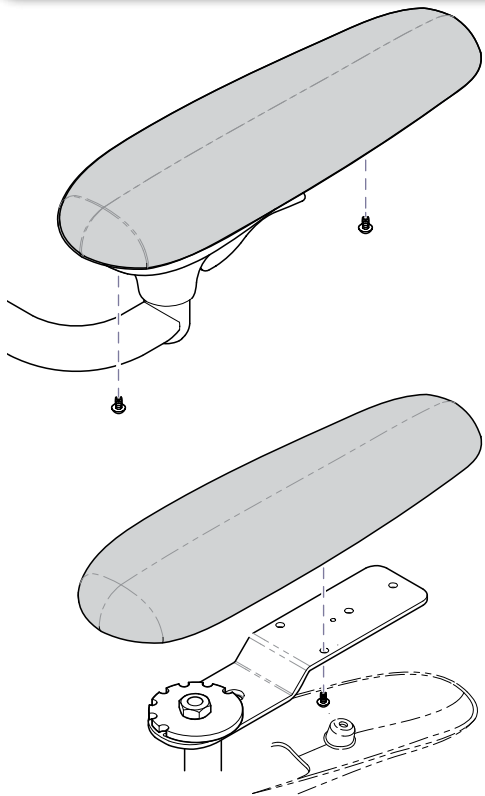
Contents:
Installation 1
Exploded Views 2

Special Tools:
none

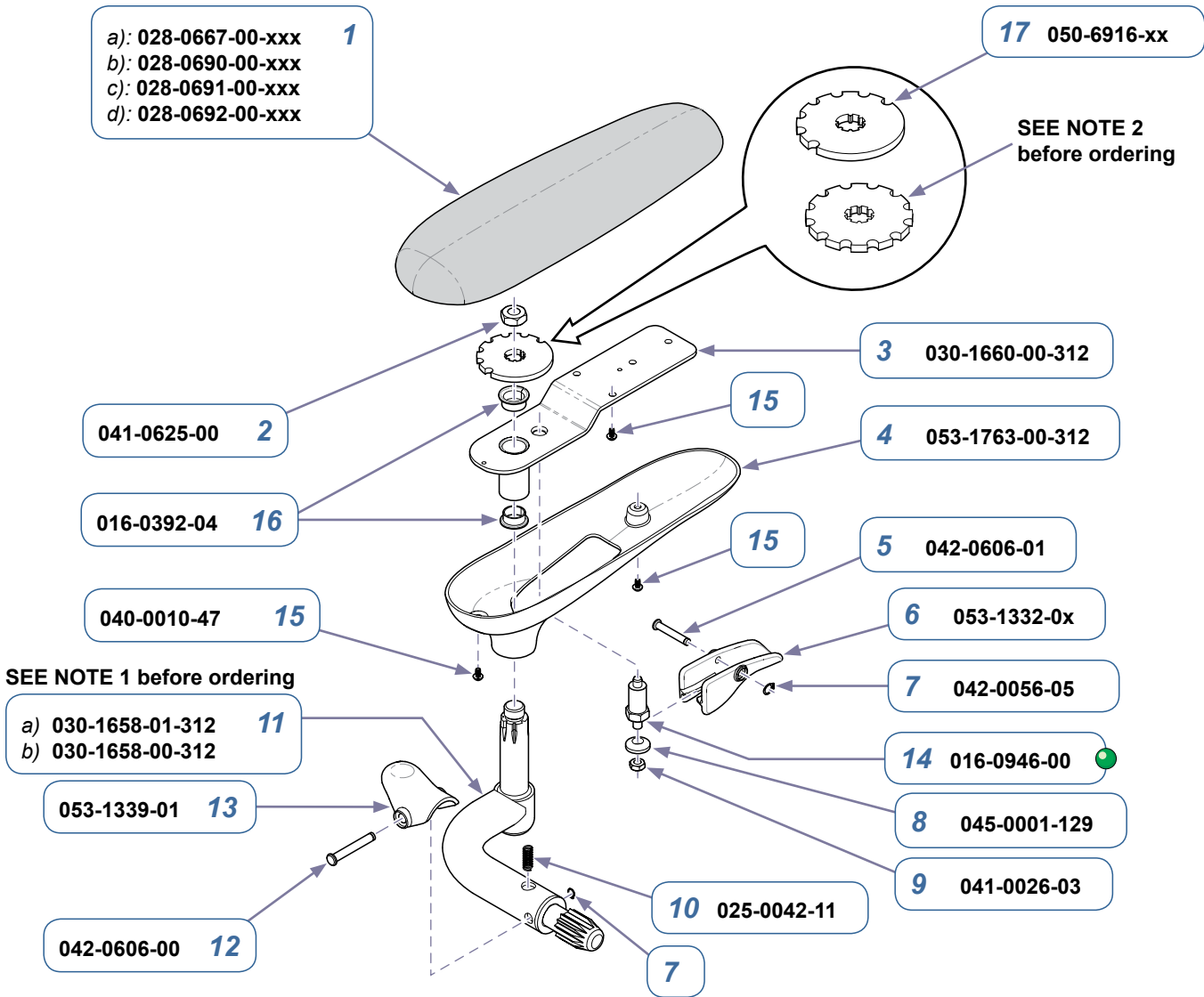
Intended Use:
To support the patient's arms during procedures.

Restrictions:
Do not exceed maximum weight rating for the chair arms.
Maximum weight rating (each arm): 250 lbs (113 kg)

To replace chair arm upholstery...
A) Remove two screws from bottom cover.
B) Push bottom cover back to disengage.
C) Remove four screws & upholstered pad.
D) Position new upholstery / secure with four screws.
E) Position bottom cover / secure with two screws.



To install chair arms...
A) Remove cap from arm socket.
B) Position arm as shown.
C) Insert arm into socket until it locks into place.



a): 028-0667-00-xxx **1**
 b): 028-0690-00-xxx
 c): 028-0691-00-xxx
 d): 028-0692-00-xxx

17 050-6916-xx

SEE NOTE 2
before ordering

041-0625-00 **2**

3 030-1660-00-312

15

4 053-1763-00-312

016-0392-04 **16**

15

5 042-0606-01

040-0010-47 **15**

6 053-1332-0x

SEE NOTE 1 before ordering

a) 030-1658-01-312 **11**
 b) 030-1658-00-312

7 042-0056-05

053-1339-01 **13**

14 016-0946-00

042-0606-00 **12**

8 045-0001-129

10 025-0042-11

9 041-0026-03

7

MA9986i

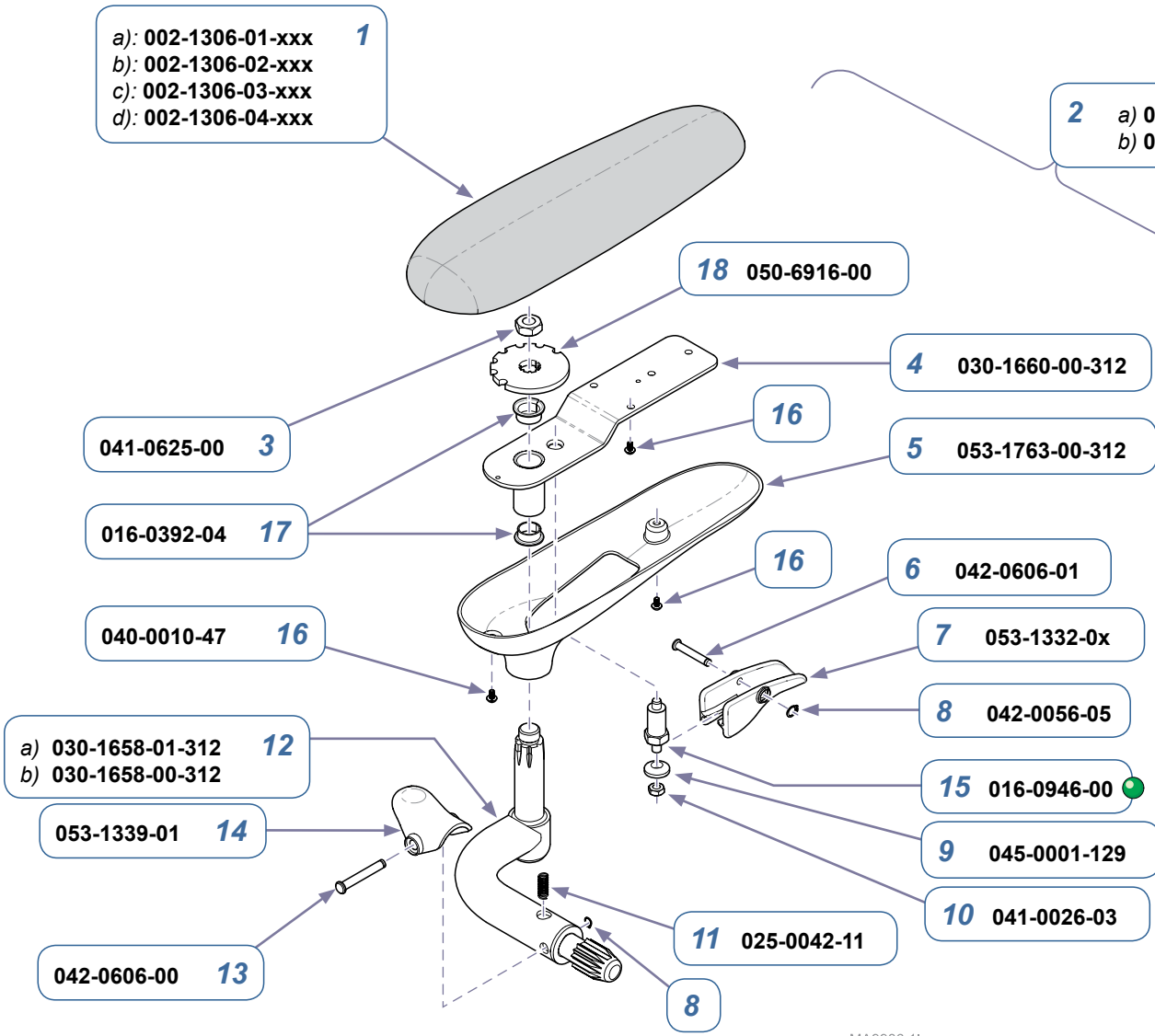
NOTE 1: When ordering item 11, check item 17. If item 17 is the older style, you **must** order items 11 **and** 17.

NOTE 2: Older style (*notches all the way around*) is no longer available. To replace, you **must** order items 11 **and** 17.

Chair Arms

| Item | Description | Qty. |
|------|---|------|
| | 9A396001-xxx w/Premium Upholstery 9A397001-xxx w/Premium Upholstry-Cal 133 9A398001-xxx w/Ultra-Premium Upholstery 9A399001-xxx w/Ultra-Premium Upholstery-Cal 133 | Ref |
| 1 | Upholstered Arm Pad a) Premium Upholstery b) Premium Uph - Cal 133 c) Ultra-Premium Upholstery d) Ultra- Premium Uph-Cal 133 | 1 |
| 2 | Nut (apply Loctite 242) | 1 |
| 3 | Arm Weldment | 1 |
| 4 | Bottom Cover | 1 |
| 5 | Clevis Pin | 1 |
| 6 | Pivot Handle | 1 |
| 7 | Retaining Ring | 2 |
| 8 | Spherical Washer | 1 |
| 9 | Nut | 1 |
| 10 | Spring | 1 |
| 11 | Shaft Weldment a) LH (shown exploded) b) RH | 1 |
| 12 | Clevis Pin | 1 |
| 13 | Retainer Clip | 1 |
| 14 | Indexing Plunger | 1 |
| 15 | Screw (#10-24 x 3/8") | 6 |
| 16 | Flange Bearing | 2 |
| 17 | Lock Plate | 1 |

Serial Numbers / Dates: Units built before 01-10-2010



MA9986.1i

Chair Arms

| Item | Description | Qty. |
|------|--|------|
| | 9A396001-xxx Premium Standard & UltraFree Upholstery 9A397001-xxx Premium Standard & UltraFree Upholstery-Cal 133 9A398001-xxx Ultra-Premium Upholstery 9A399001-xxx Ultra-Premium Upholstery-Cal 133 | Ref |
| 1 | Upholstered Arm Rest (only includes 1 pad) a) Premium Standard & UltraFree Upholstery b) Premium Standard & UltraFree Upholstery - Cal 133 c) Ultra-Premium Upholstery d) Ultra-Premium Uph-Cal 133 | 1 |
| 2 | Chair Arm Mechanism (includes items 3 thru 18) a) LH (shown exploded) b) RH | 1 |
| 3 | • Nut (apply Loctite 242) | 1 |
| 4 | • Arm Weldment | 1 |
| 5 | • Bottom Cover | 1 |
| 6 | • Clevis Pin | 1 |
| 7 | • Pivot Handle | 1 |
| 8 | • Retaining Ring | 2 |
| 9 | • Spherical Washer | 1 |
| 10 | • Nut | 1 |
| 11 | • Spring | 1 |
| 12 | • Shaft Weldment a) LH (shown exploded) b) RH | 1 |
| 13 | • Clevis Pin | 1 |
| 14 | • Retainer Clip | 1 |
| 15 | • Indexing Plunger | 1 |
| 16 | • Screw (#10-24 x 3/8") | 6 |
| 17 | • Flange Bearing | 2 |
| 18 | • Lock Plate | 1 |

Serial Numbers / Dates: Units built after 01-10-2010