



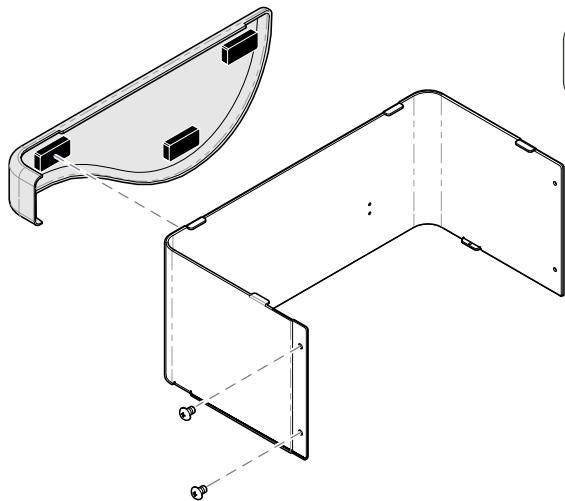
Gas Spring Replacement [002-1065-00]

Applies Models:
230
630 (-001 thru -009)
641 647

Special Tools:
none

CAUTION
Always disconnect power to chair before removing covers or performing any service procedure. If it is necessary to connect power with covers removed, stay clear of any electrical components until power is disconnected.

Step 1: Remove magnetic cladding (3 pcs).

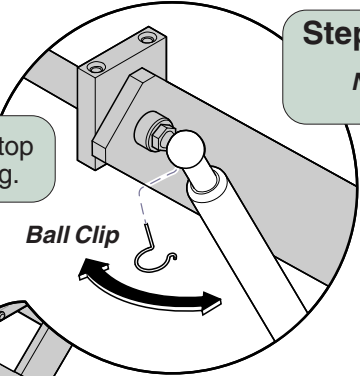


Equipment Alert
Lower the base before performing Step 2. This will prevent the shrouds from falling when the outer shrouds are removed.

Step 2: Remove screws from outer shrouds only. Pull shrouds outward to disengage tabs.

Step 3: Run base function all the way up.

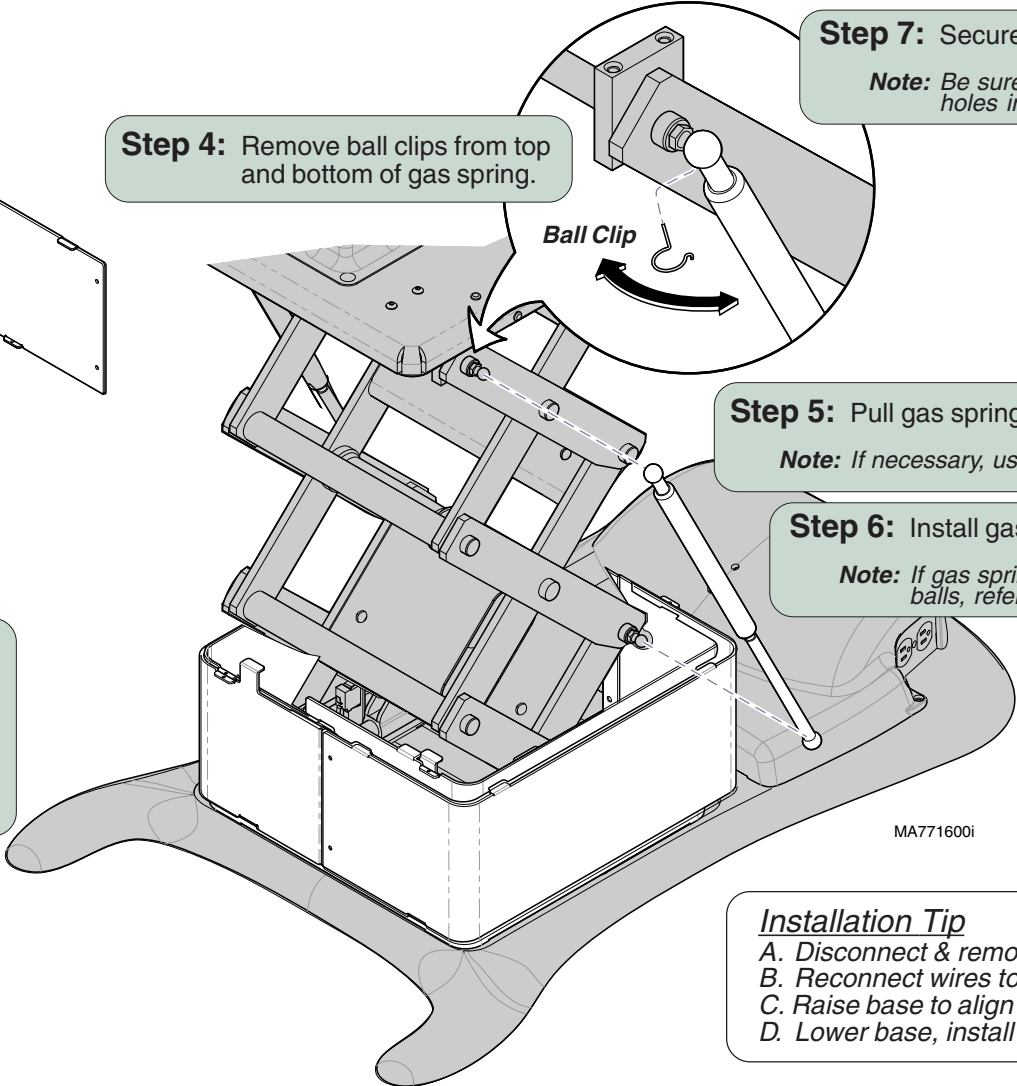
Step 4: Remove ball clips from top and bottom of gas spring.



Step 7: Secure spring with ball clips.
Note: Be sure clip passes thru both holes in spring.

Step 5: Pull gas spring off of mounting balls.
Note: If necessary, use a screwdriver to pry.

Step 6: Install gas spring (cylinder up).
Note: If gas spring will not align w/mtg balls, refer to Installation Tip below.



Installation Tip
A. Disconnect & remove Base Up Limit Switch
B. Reconnect wires to limit switch
C. Raise base to align gas spring
D. Lower base, install / reconnect limit switch