

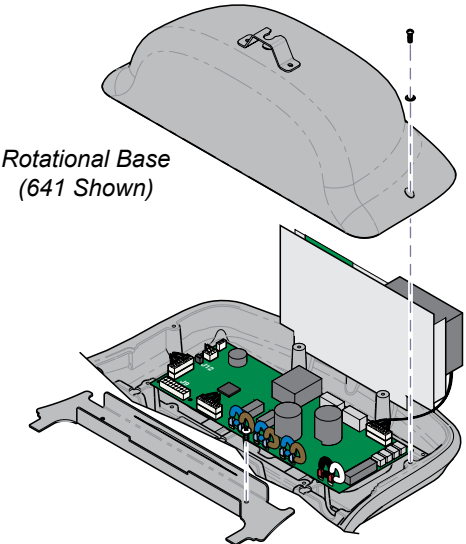
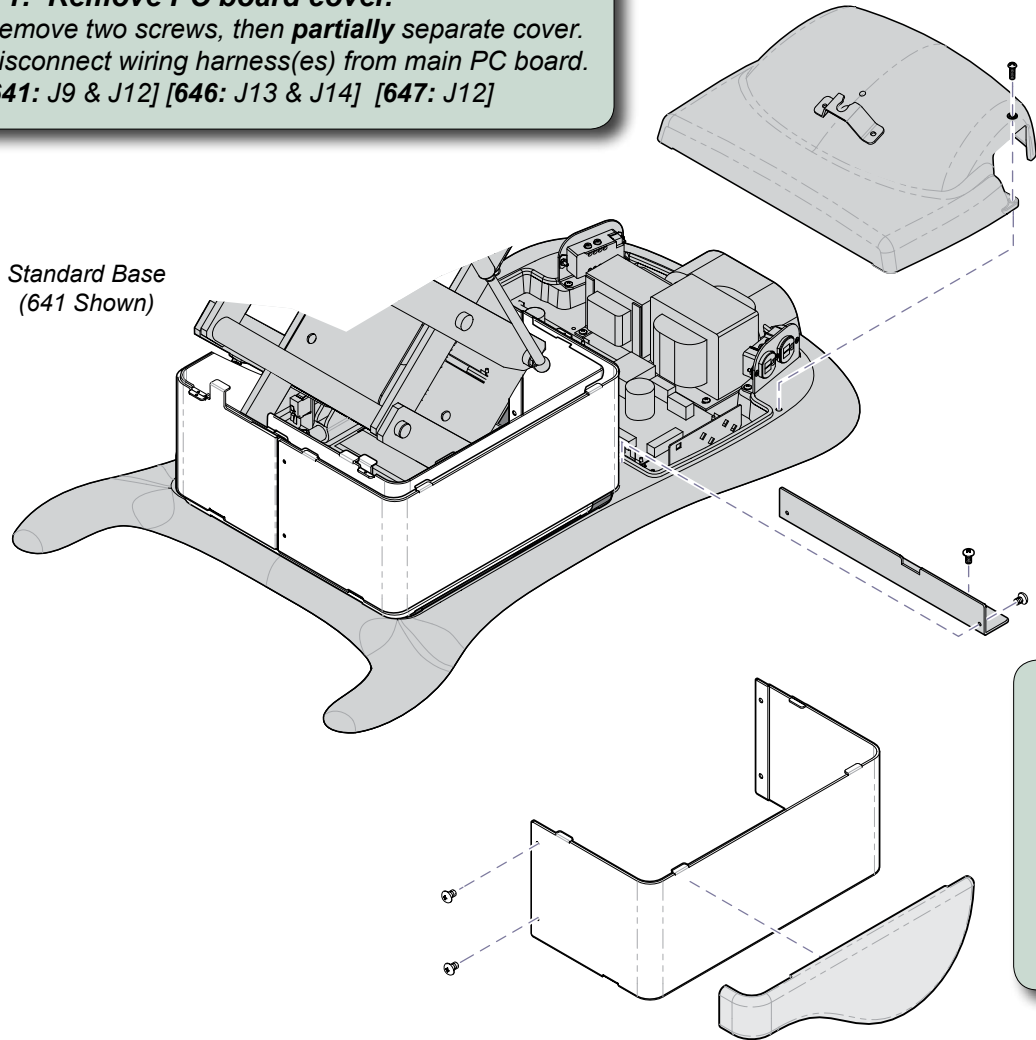
Tilt Actuator Replacement [002-1070-0x]

Applies to kits:
 Tilt Actuator Kit (complete)
 Tilt Actuator Kit (w/o motor)

Special Tools:
 none

Caution
 Always disconnect power to chair before removing covers or performing any service procedure.

Step 1: Remove PC board cover.
 A) Remove two screws, then **partially** separate cover.
 B) Disconnect wiring harness(es) from main PC board.
 [641: J9 & J12] [646: J13 & J14] [647: J12]



Step 2: Remove wire harness cover.

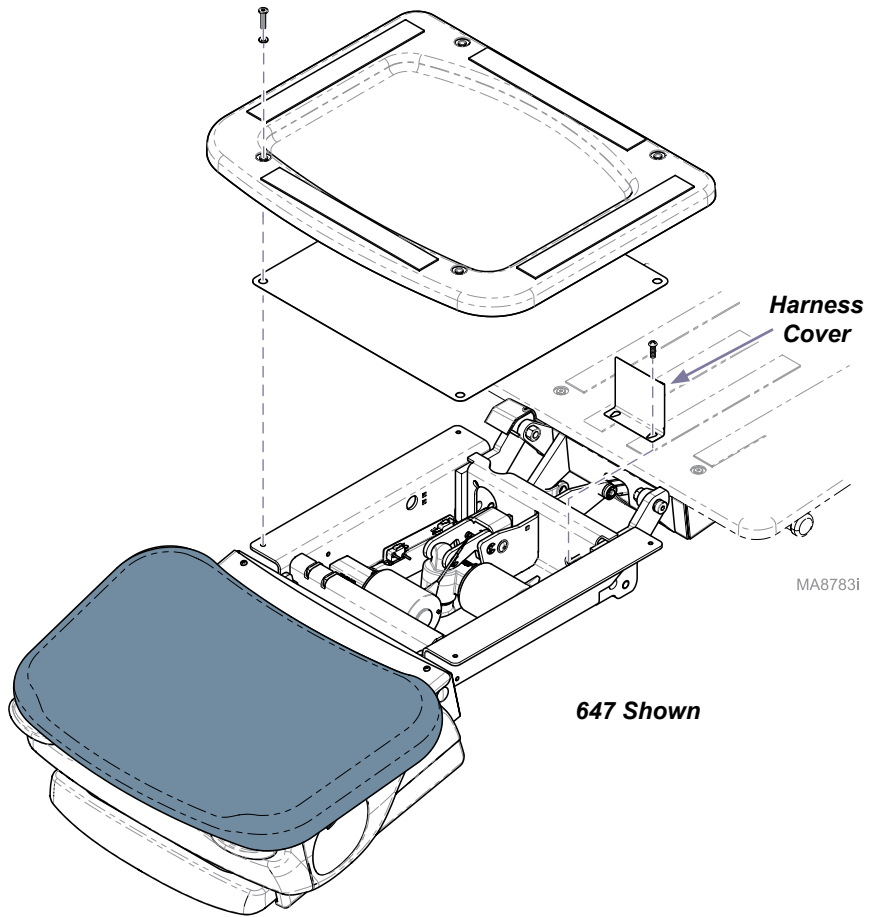
Equipment Alert
 Lower the base before performing Step 3. This will prevent the shrouds from falling when the outer shrouds are removed.

Step 3: Remove shrouds.
 A) Remove magnetic cladding (3 pcs.).
 B) Remove screws from outer shrouds only.
 C) Pull shrouds outward to disengage tabs.

MA8782I

Step 4: Remove covers.

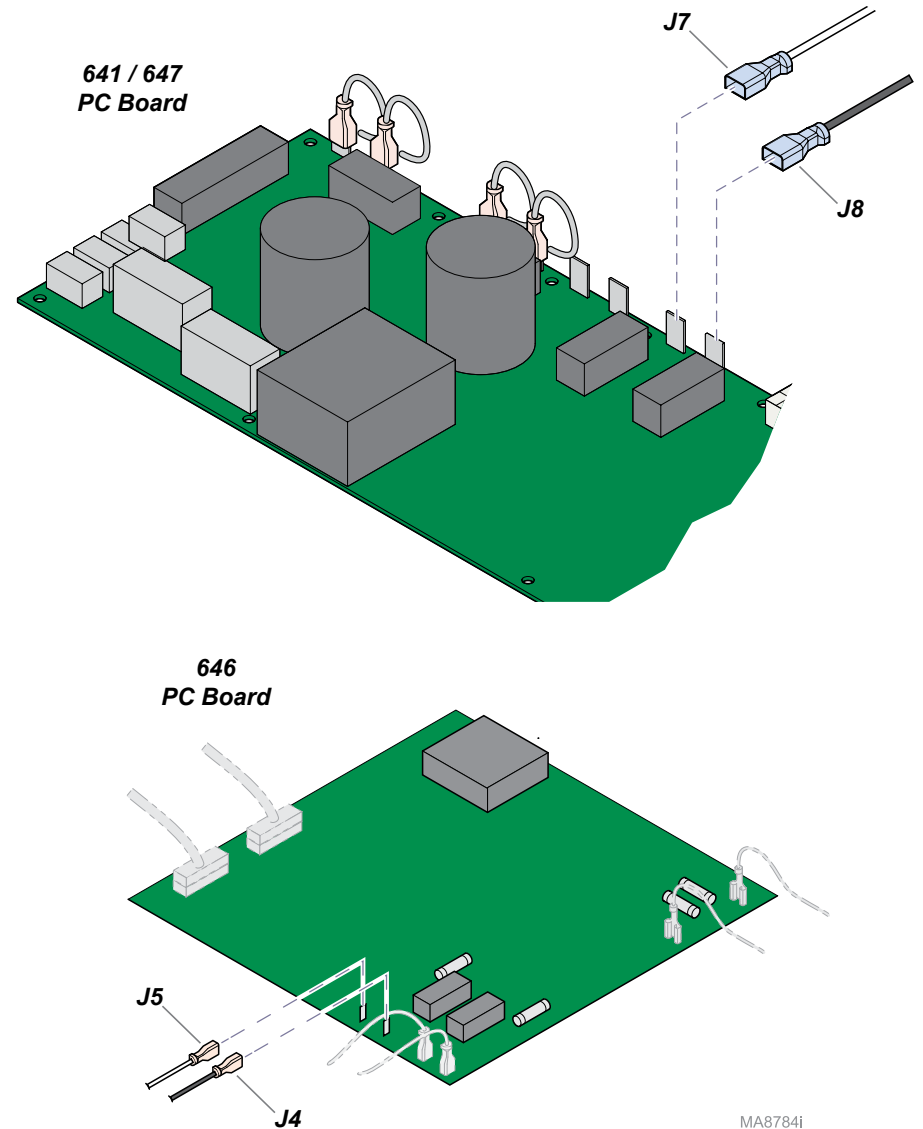
- A) Remove seat board and support plate.
- B) Remove harness cover.

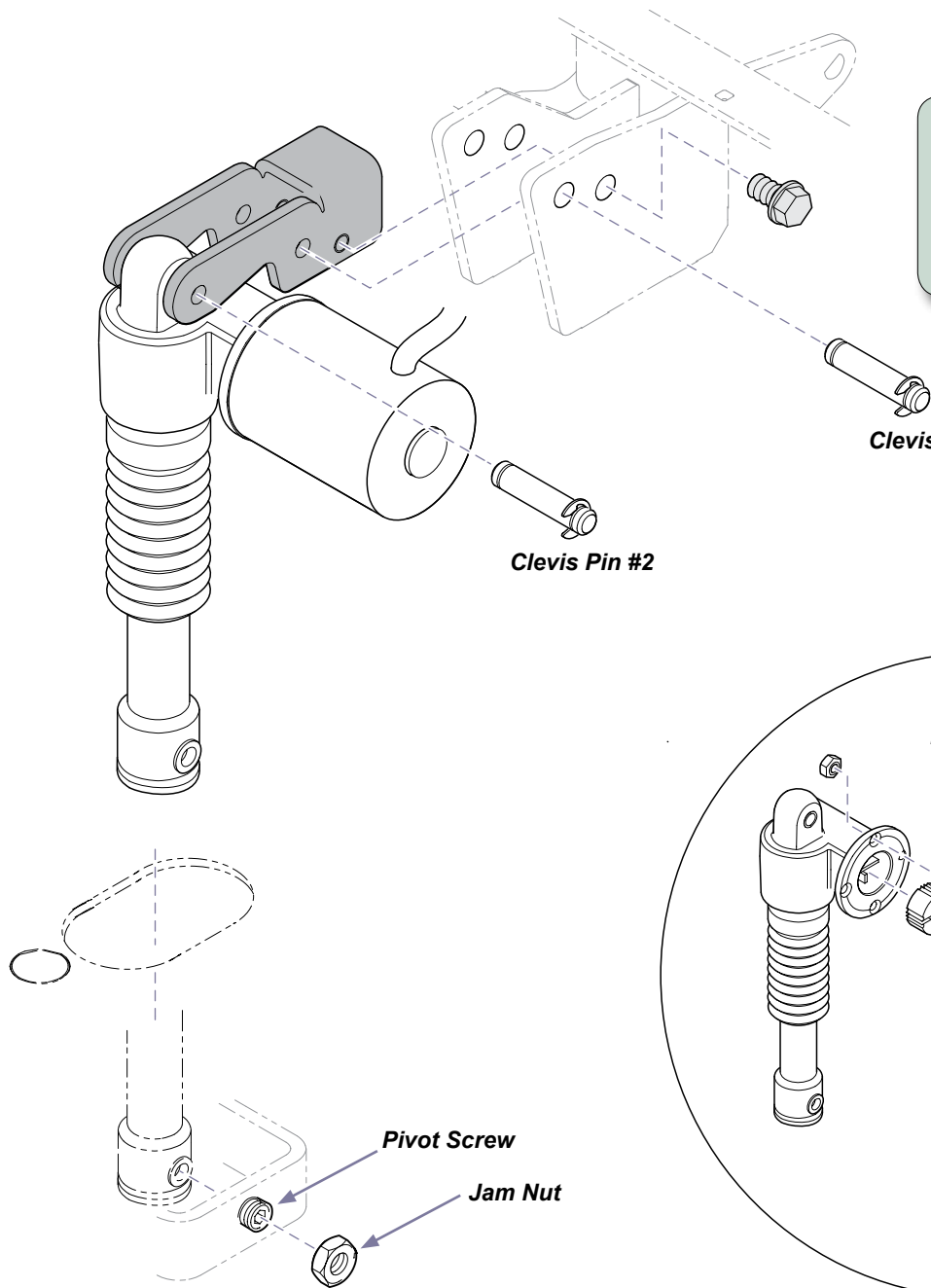


Step 5: Disconnect wiring.

- A) Tag / disconnect tilt actuator wires from main PC board.
[646: J4 & J5] [641 / 647: J7 & J8]
- B) Pull actuator wire up thru chair.

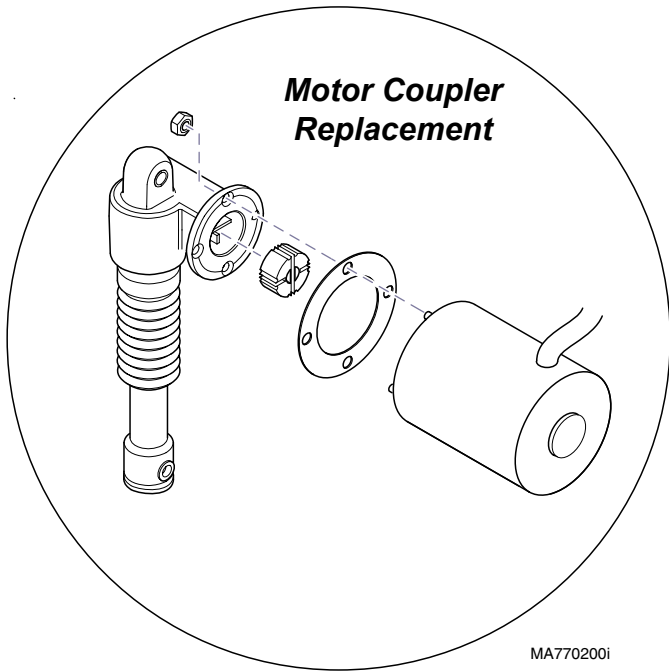
Note: Remove cable ties & wire clamps as necessary.



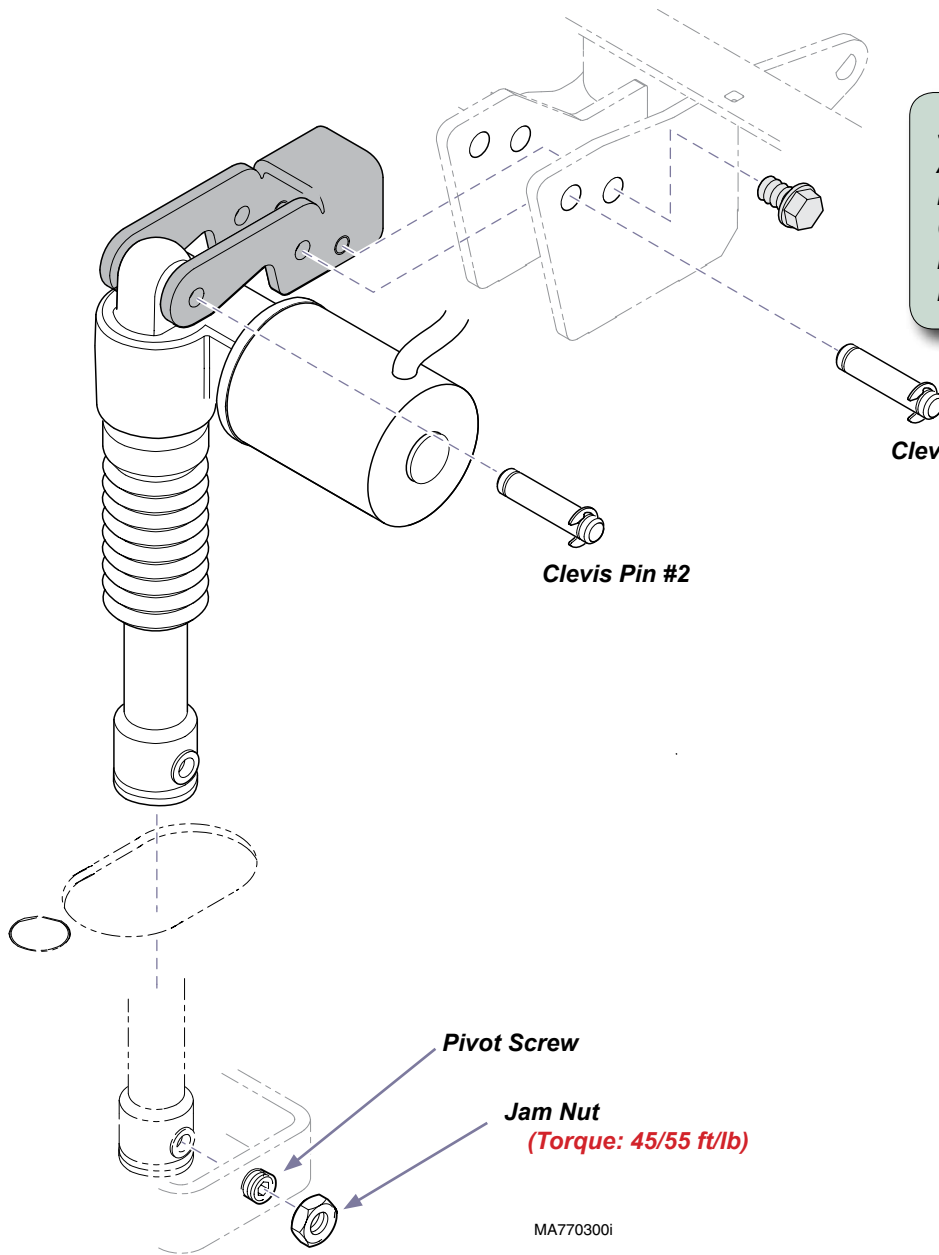


Step 6: Remove tilt actuator.

- A) Remove two jam nuts, then loosen two pivot screws.
- B) Remove two hex screws.
- C) Remove clevis pin #1 & actuator / mounting bracket.
- D) Remove clevis pin #2 to separate actuator from bracket.



MA770200i



Step 7: Install tilt actuator.

- A) Secure actuator to mounting bracket with clevis pin #2.
- B) Secure mtg. bracket / actuator with clevis pin #1 & two hex screws.
- C) Rotate actuator shaft to align holes with pivot screws.
- D) Tighten two pivot screws (equally from each side).
- E) Install / tighten two jam nuts

To complete installation:

- Connect wiring using illustrations as a guide.
- Replace cable ties & wire clamps as necessary.
- Reassemble all covers, shrouds, etc.

MA770300i