



# Wireless Hand / Foot Controls [9A408]

**Components:**

Antenna .....	1	Foot Control .....	1
PC Board .....	1	Hand Control .....	1
Nut .....	1	Batteries (AA) .....	4
Wire Harness .....	1		

**Special Tools:**  
bungee cord

**Compatible with models:**  
641 (all)  
630 (serial numbers V430154 thru present)

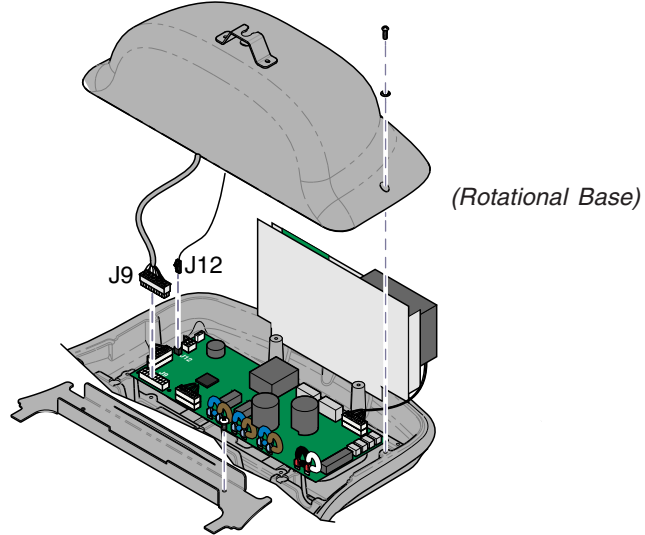
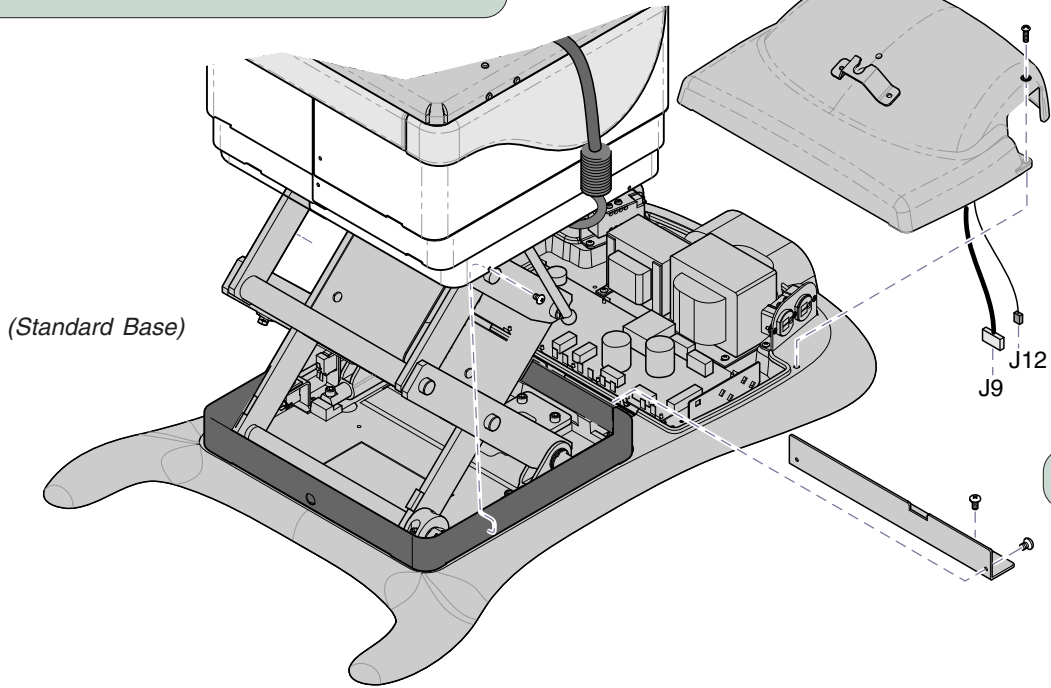
**CAUTION**  
Always disconnect power to chair before removing covers or performing any service procedure.

**Step 1:** Remove bottom screws from inner shrouds.

**Step 2:** Stretch bungee cord across top of base column (under seat).  
*Note:* It may be necessary to run Tilt UP function to route bungee cord under seat section.

**Step 3:** Lift shrouds, then attach bungee cord hooks under shrouds on both sides.

**Step 4:** Remove two screw(s) and partially separate cover.  
*Note:* You must perform Step 5 before cover can be completely removed.



**Step 5:** Disconnect wire harnesses from J9 & J12 on main PC Board.

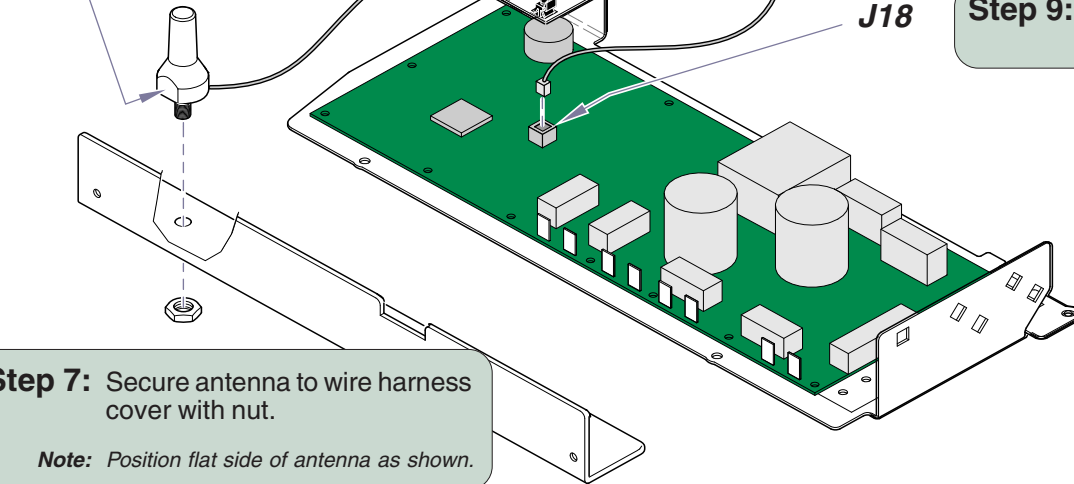
**Step 6:** Remove wire harness cover.

MA768600i

**Step 8:** Install base station PC board onto standoffs as shown.  
Connect antenna to base station PC board.

**Note:**  
When power is connected, three LED's  
on the base station PC board will illuminate.

Flat Side



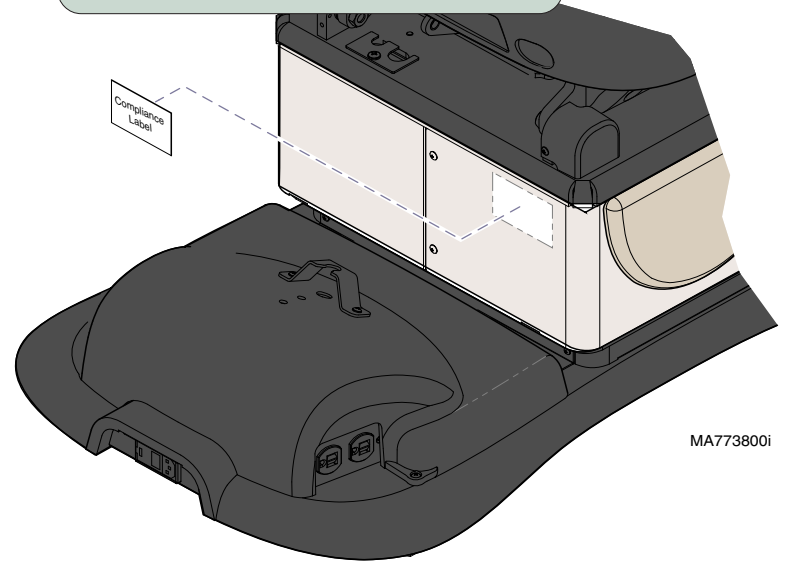
**Step 7:** Secure antenna to wire harness  
cover with nut.

**Note:** Position flat side of antenna as shown.

**Equipment Alert**  
Antenna connection is very delicate.  
Do not kink wire or apply stress to connection.

**Step 9:** Connect harness to base station PC board.  
Connect other end of harness to **J18** on main PC board.

**Step 10:** Apply compliance label to  
chair shrouds as shown.



MA773800i

- To complete installation:**
- Install batteries in hand / foot controls
  - Check for proper operation
  - Install wire harness cover
  - Install PC board cover
  - Lower / secure shrouds