

# Headrest Replacement Kit 002-1077-00

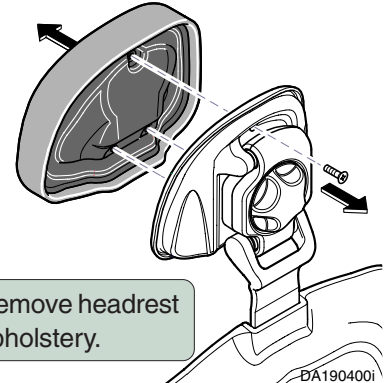
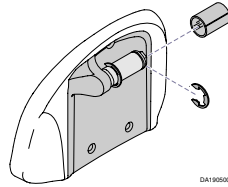


## Components:

- Headrest Support ..... 1
- Pivot Support (LH thread) ..... 1
- E-ring ..... 2
- Sleeve Bearing ..... 1

## Special Tools:

none



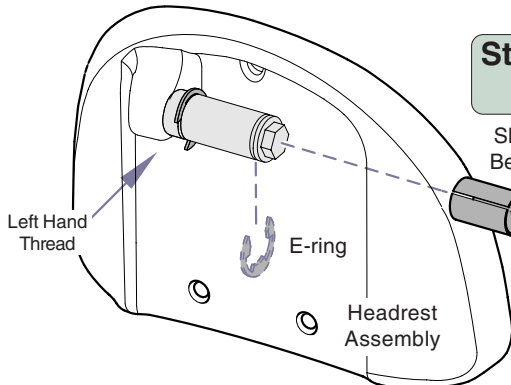
**Step 1:** Remove headrest upholstery.

**Step 8:** Install headrest upholstery.

**Step 6:** After removing the E-clip, install the headrest assembly with the new sleeve bearing onto the clamp, then install the E-clip.

**Step 3:** Remove the covers.

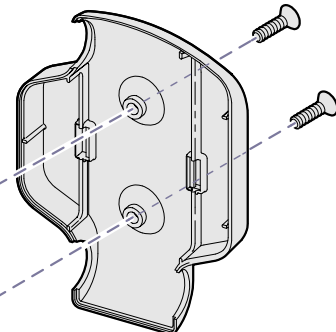
**Step 5:** Remove the sleeve bearing.



Sleeve Bearing

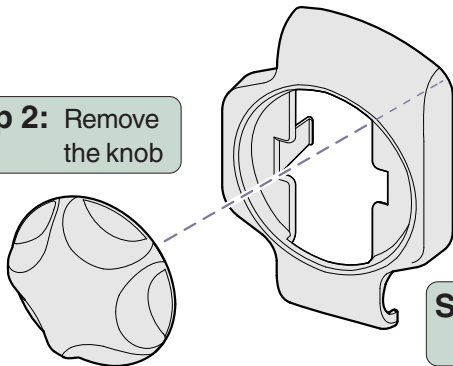
Clamp

E-ring



**Step 4:** Remove the E-clip and slide the head rest assembly out of the clamp.

**Step 2:** Remove the knob



**Step 7:** Install the covers and knob

Midmark Corporation  
60 Vista Drive  
Versailles, OH 45380-0286  
Phone: 937-526-3662  
Fax: 937-526-5542  
midmark.com

DA190600i



Because we care.